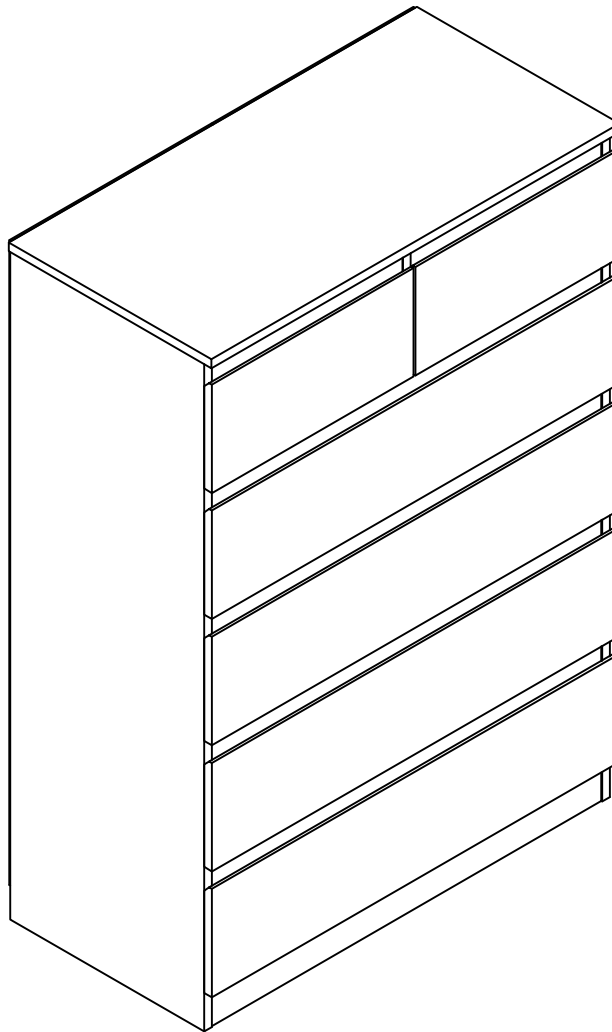


# 4+2 Drawers Chest

Assembly Instructions - Thank you for your purchase.  
Please follow the instructions below for correct assembly.

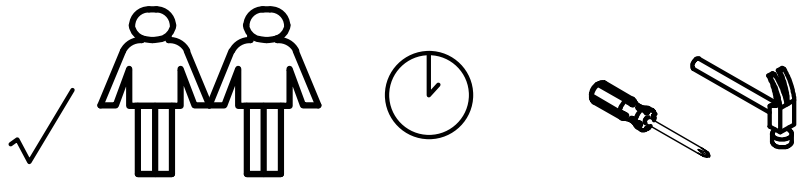
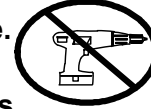


**Space General**

# Safety and Care Advice

**IMPORTANT - Please Read This Instruction Carefully Before Assembly.**

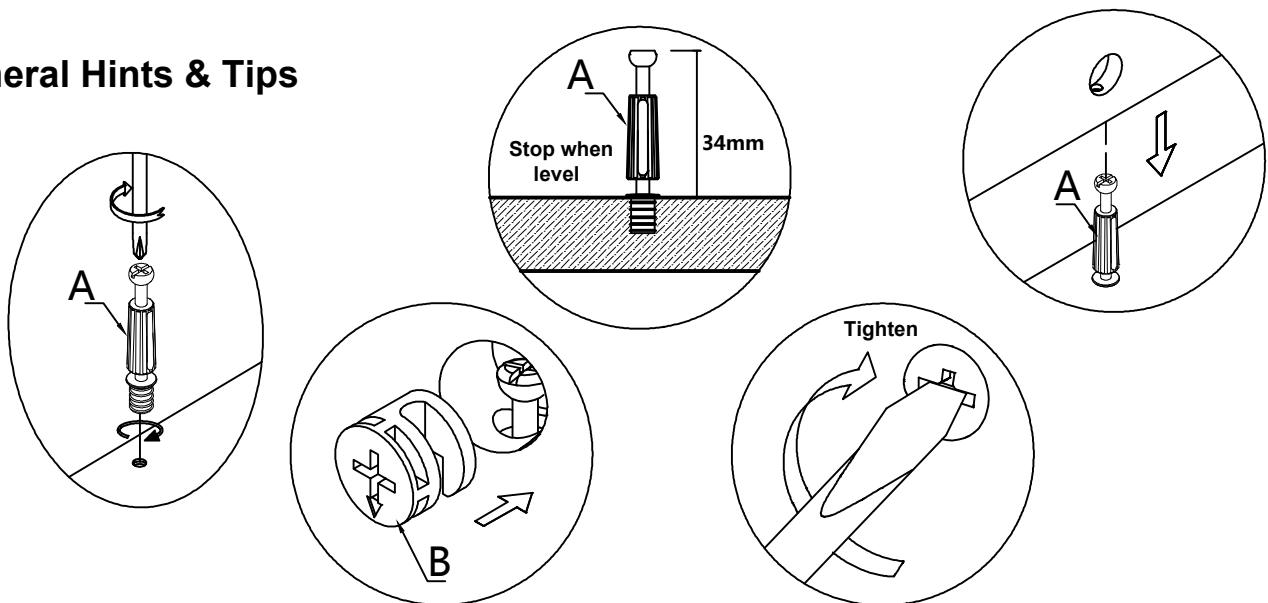
- Check you have all the components and tools listed on page 3.
- Remove all settings from the plastic bags and separate them into their groups.
- Keep children and animals away from the work area, small parts could choke if swallowed.
- Make sure you have enough space to layout the parts before assembly.
- Do not stand or put weight on the product, this could cause damage.
- Assemble the item as close to it's intended position (in the same room) as possible.
- Assemble on a soft level surface to avoid damaging the unit.
- Parts of the assembly will be easier with 2 people.
- Do not use power drill/drivers for assembly, or the unit may be damaged.
- Dispose of all packaging carefully and responsibly.



## CARE and MAINTENANCE

- Only clean using a damp cloth and mild detergent, do not use bleach or abrasive cleaners.
- From time to time check that there are no loose screws on this unit.
- This product should not be discarded with household waste. Take to your local authority waste disposal center.

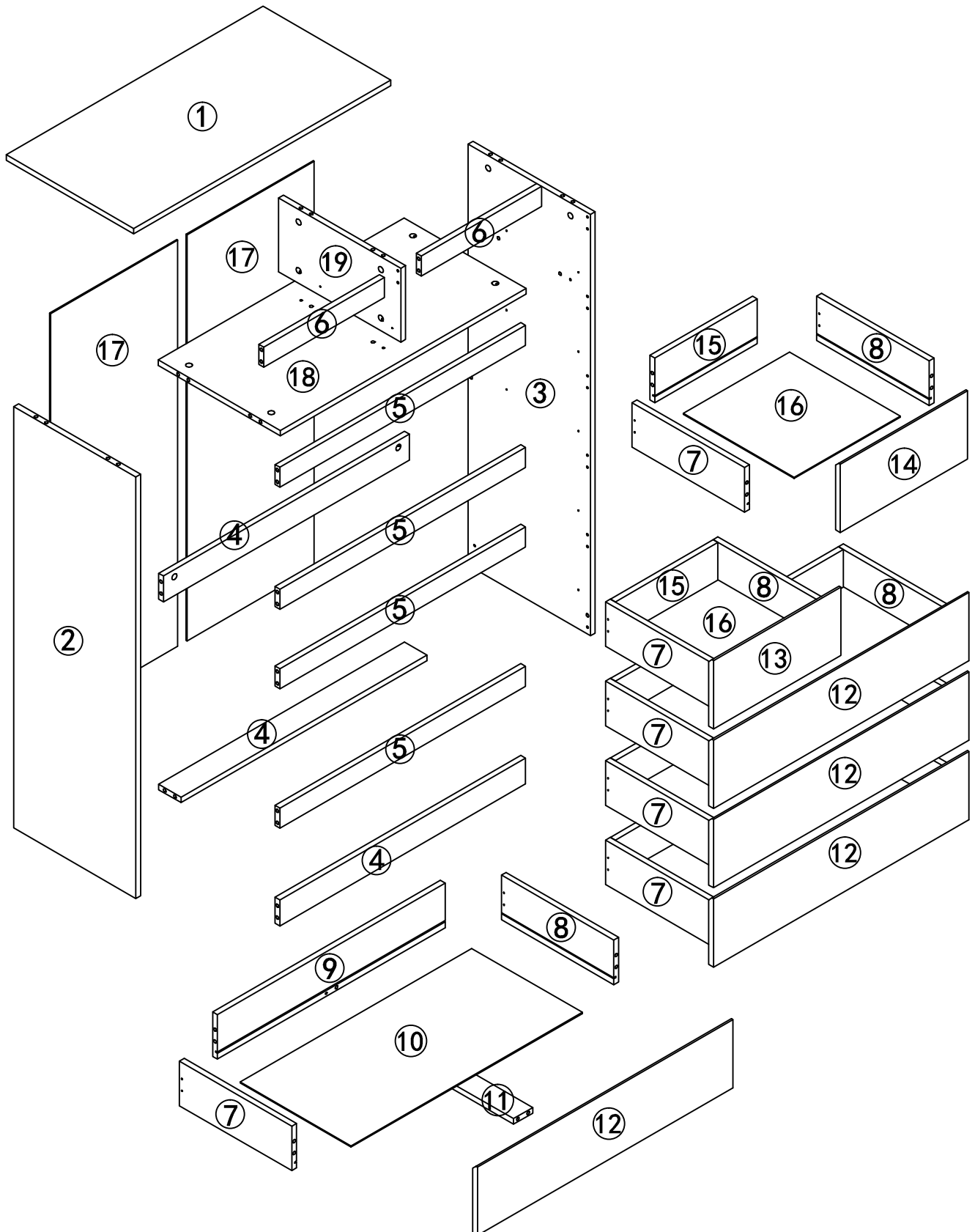
## General Hints & Tips



# Components and Tools

**IMPORTANT - Please Check If You Have All The Components and Tools.**

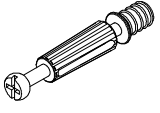
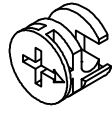
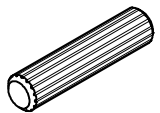
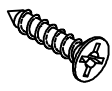
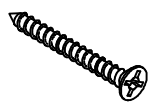

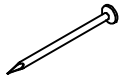

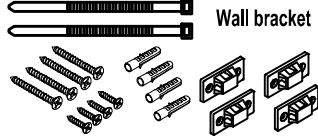
**Note: The quantities below are the correct amount to complete the assembly. In some cases more pieces may be supplied than are required.**



# Components and Tools

**IMPORTANT - Please Check If You Have All The Components and Tools.**

**Note: The quantities below are the correct amount to complete the assembly. In some cases more pieces may be supplied than are required.**

<p>A=74</p>  <p>Peg M6*34mm</p>	<p>B=74</p>  <p>Lock M15*12mm</p>	<p>C=26</p>  <p>Dowel M6*30mm</p>	<p>D=48</p>  <p>Screw M3.5*14mm</p>	<p>E=24</p>  <p>Screw M4*38</p>	<p>F=4</p>  <p>Plastic Feet</p>
<p>G=18</p>  <p>Pin</p>	<p>CR CL DR DL=6</p>  <p>Drawer Runner</p>	<p>P=1</p>  <p>Wall bracket</p>			

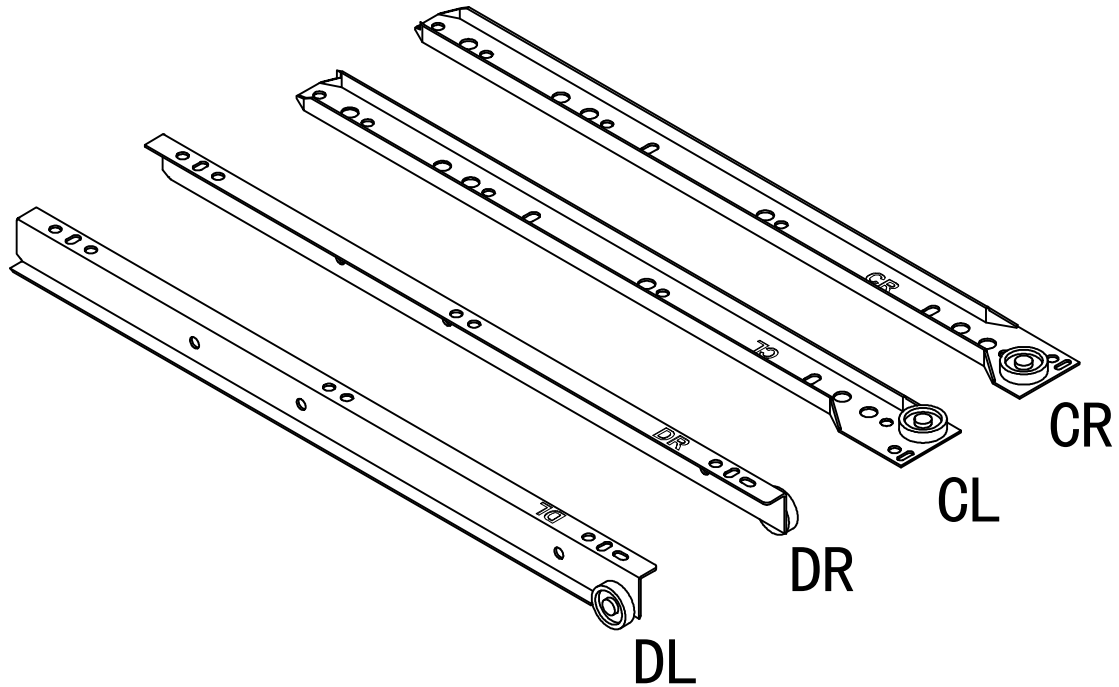
**10F2** ②, ③, ⑦ X6, ⑧ X6, ⑨ X4, ⑪ X4, ⑮ X2, ⑰ X2, **FITTING KIT**

**20F2** ①, ④ X3, ⑤ X4, ⑥ X2, ⑩ X4, ⑫ X4, ⑬, ⑭, ⑯ X2, ⑱, ⑲,

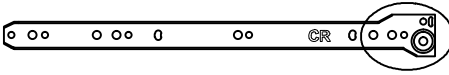
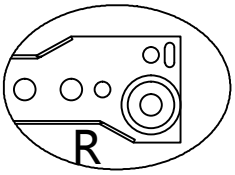
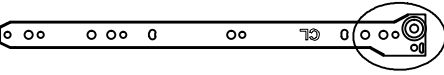
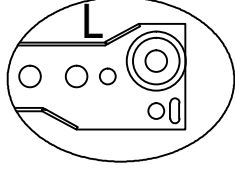

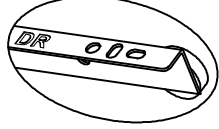
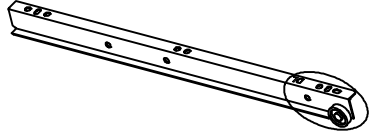
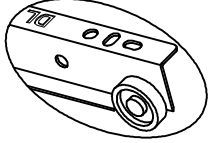
# Drawer Runner Instruction

**IMPORTANT - Please Read It Carefully.**

**NOTE:1 PAIR DRAWER RUNNER INCLUDES 4 PIECES.**



## Fittings (not to scale)

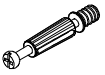
NO.	DESCRIPTION	QTY		
CR	Outer Drawer Runner - Right	6PCS		
CL	Outer Drawer Runner - Left	6PCS		
DR	Inner Drawer Runner - Right	6PCS		
DL	Inner Drawer Runner - Left	6PCS		

# Assembly Instruction

## Step 1

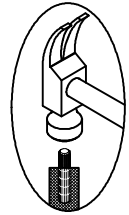
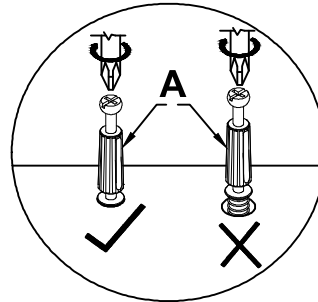
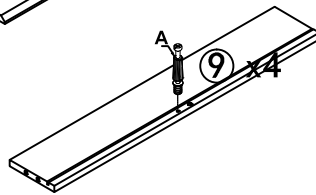
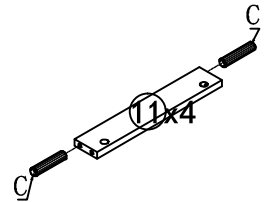
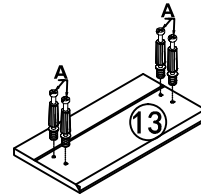
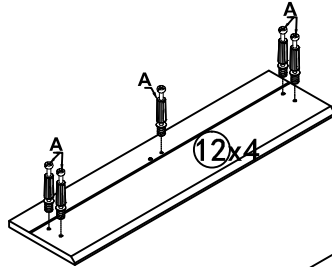
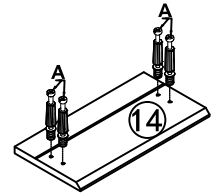
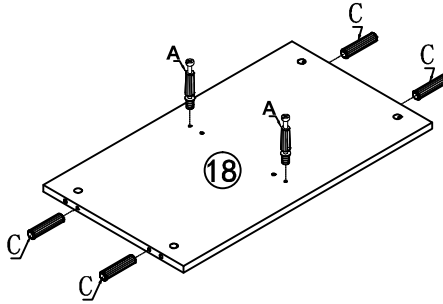
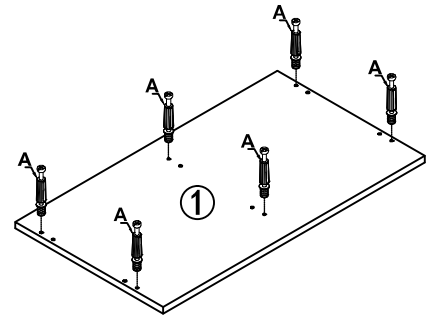
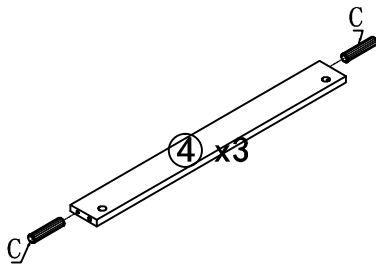
A=40

C=18



Peg

Dowel



## Step 2

C=4

D=2

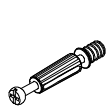
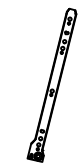


Dowel

Screw

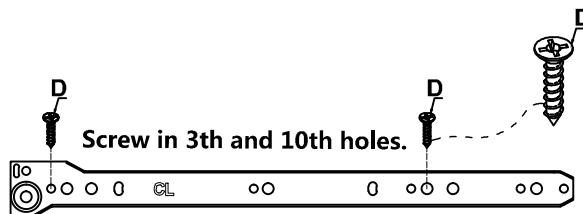
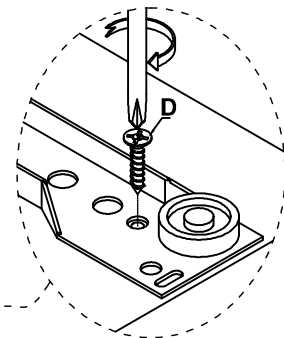
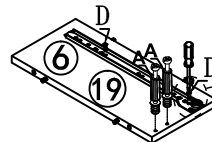
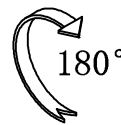
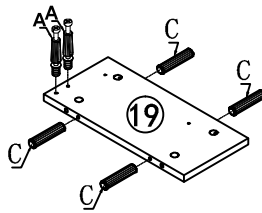
CL=1

A=4



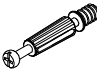


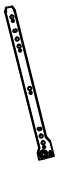
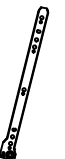
Drawer Runner

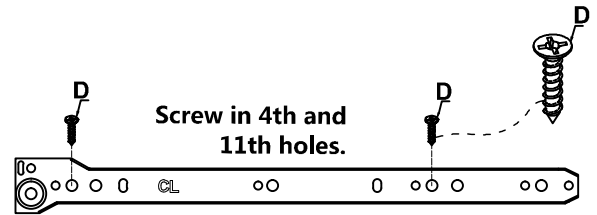
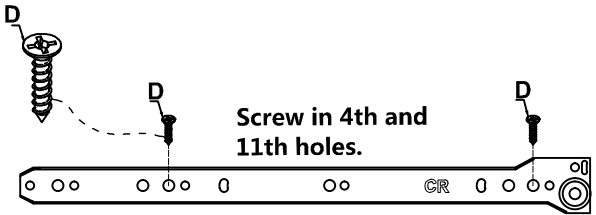
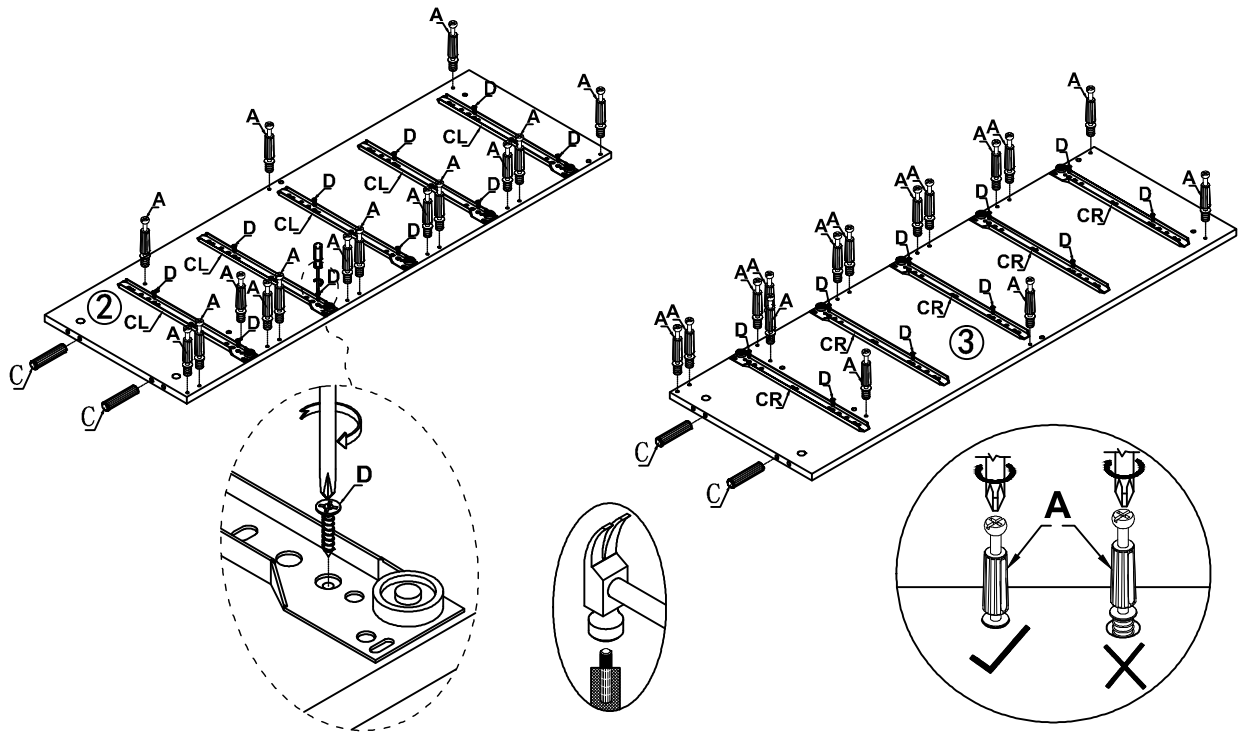
Peg



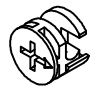
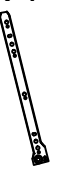

# Assembly Instruction

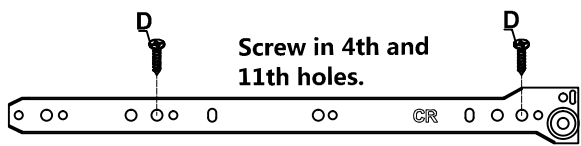
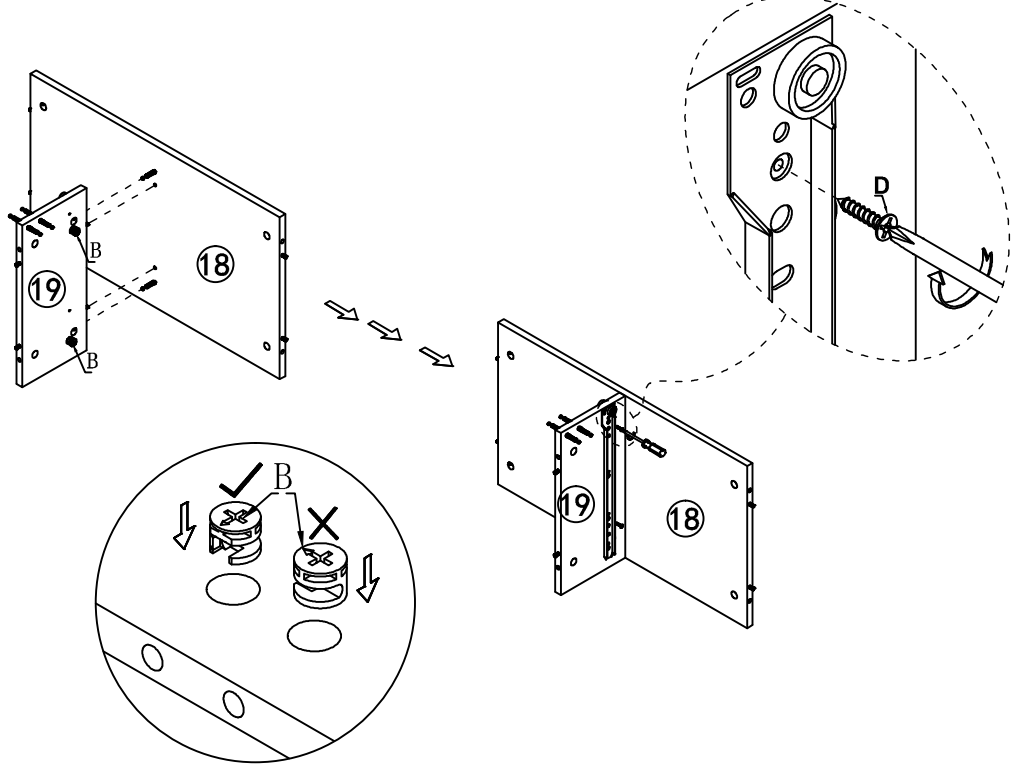
## Step 3

A=30	C=4
	
Peg	Dowel
D=20	CR=5
	
Screw	Drawer Runner
CL=5	
	
Drawer Runner	



## Step 4

B=2	CR=1
	
Lock	Drawer Runner
D=2	
	
Screw	



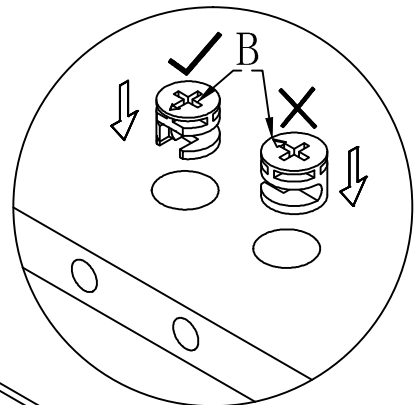
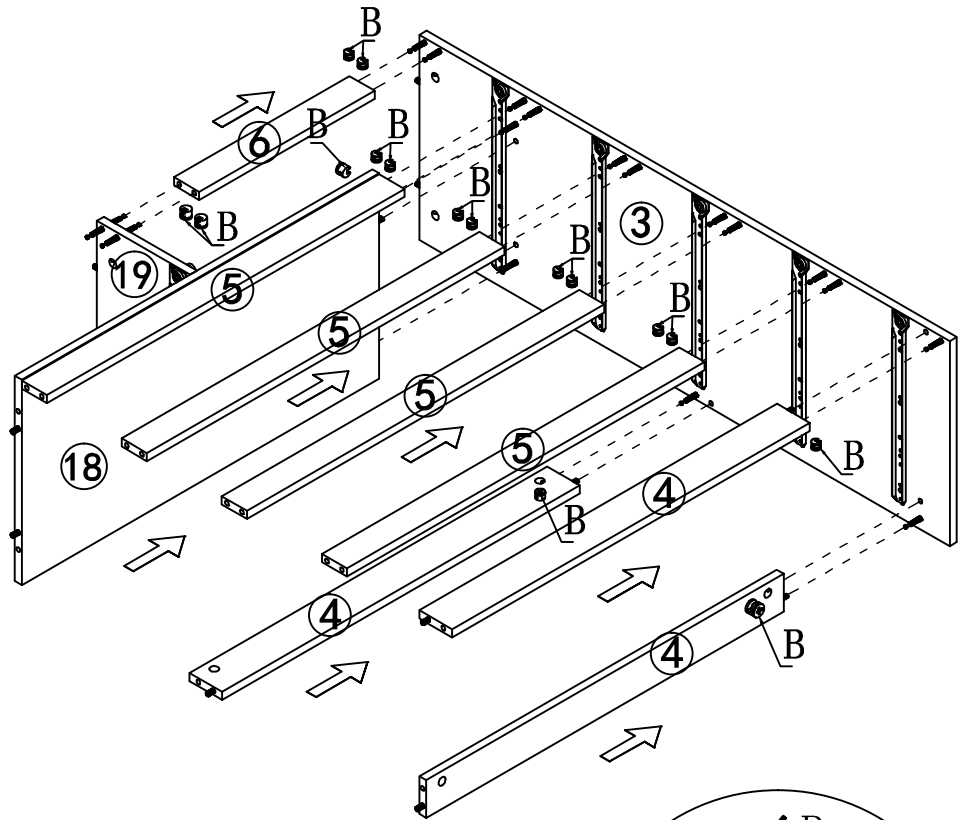
# Assembly Instruction

## Step 5

B=17



Lock

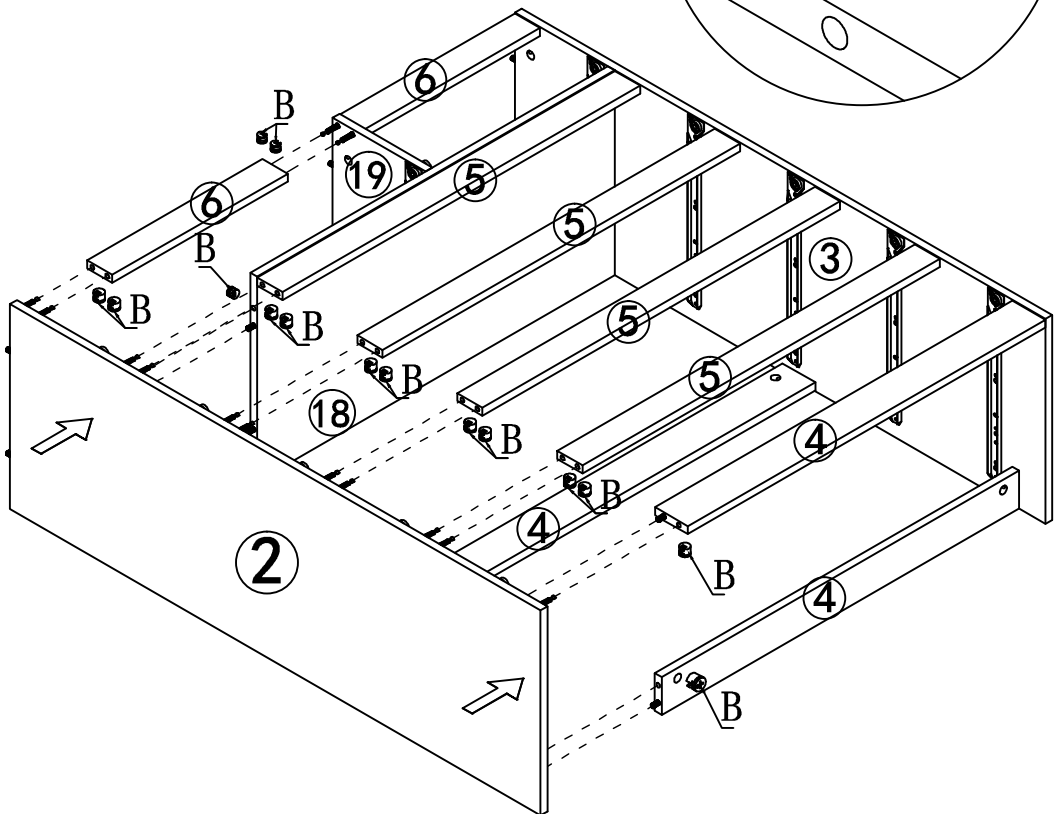


## Step 6

B=17



Lock





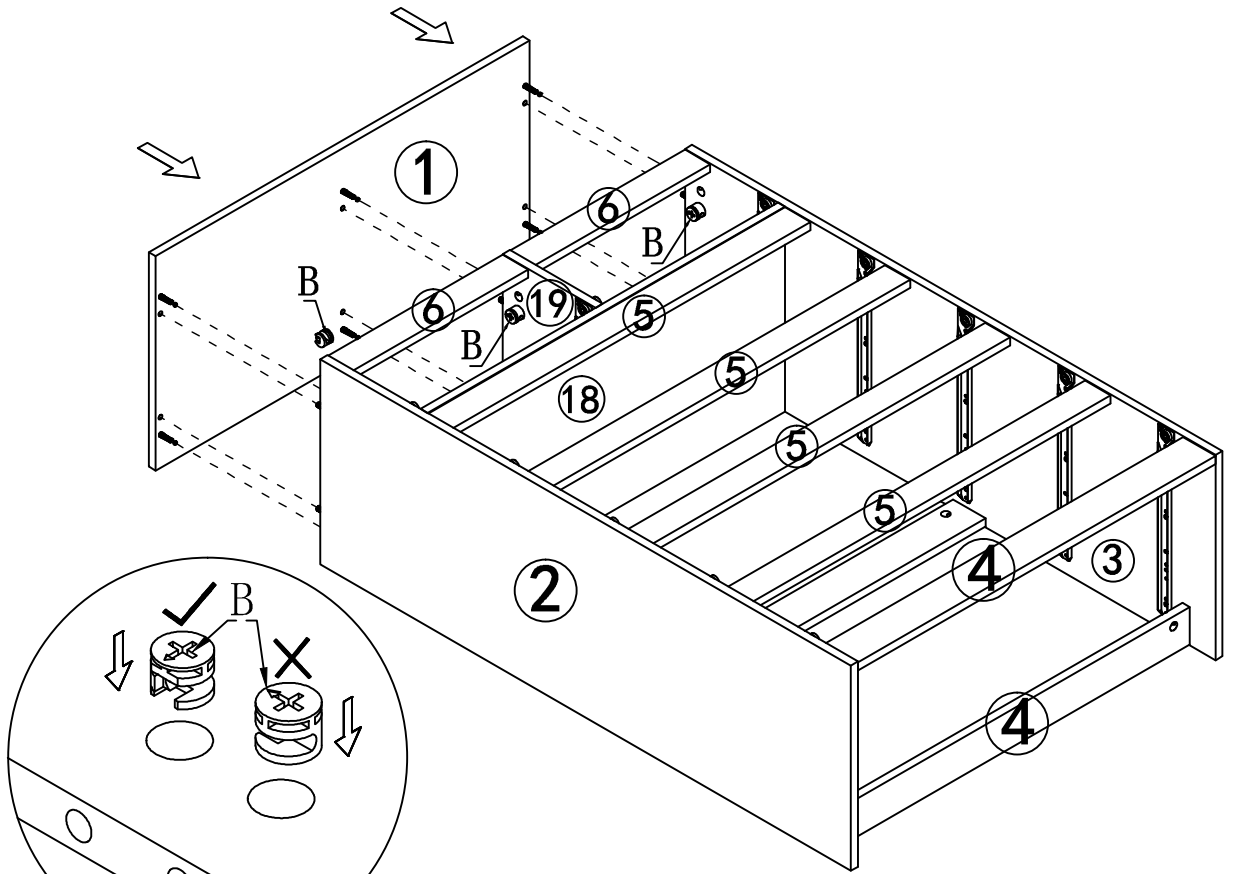
# Assembly Instruction

## Step 7

B=6



Lock



## Step 8

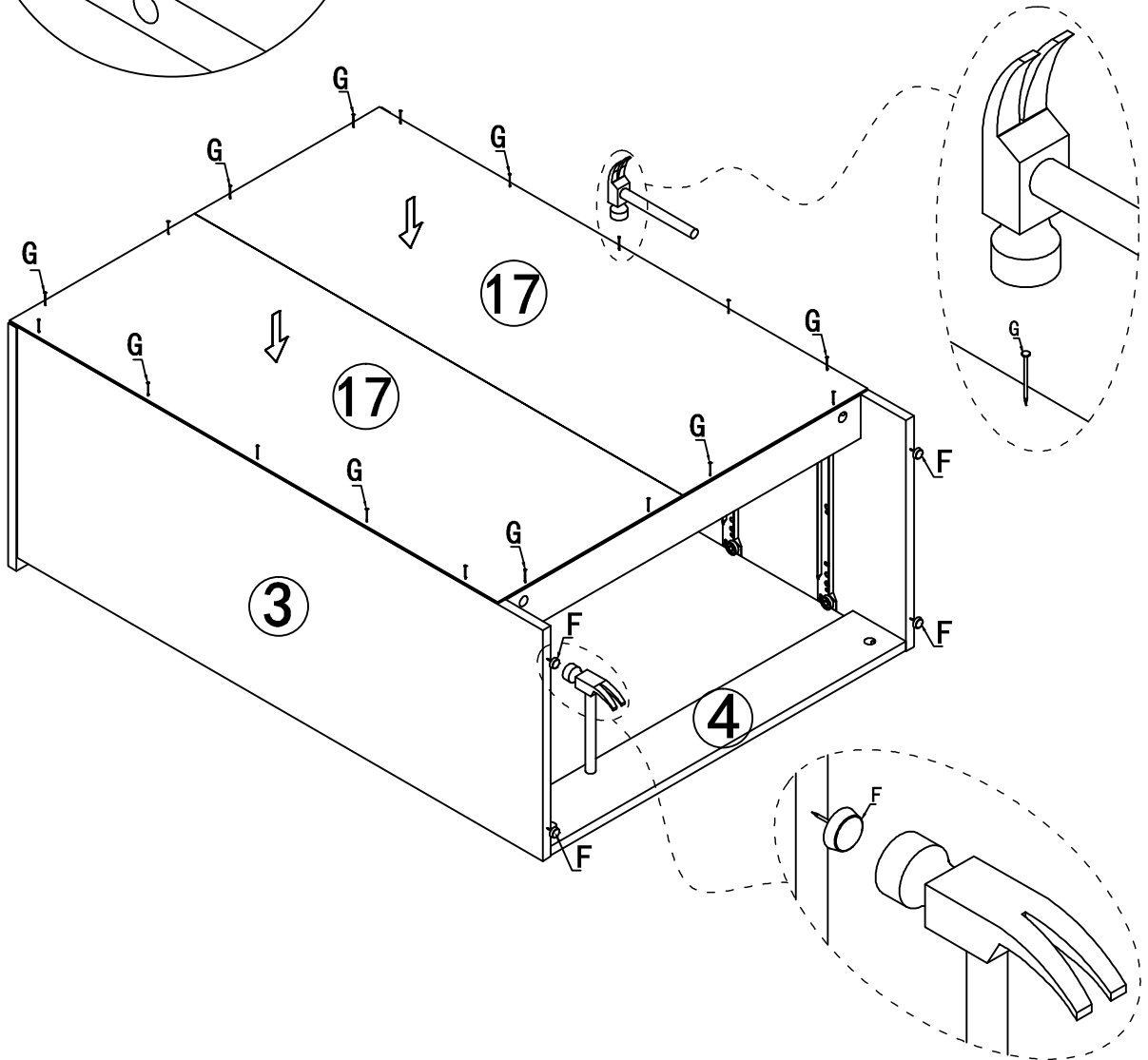
G=18

F=4



Pin

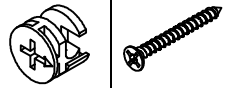
Plastic Feet



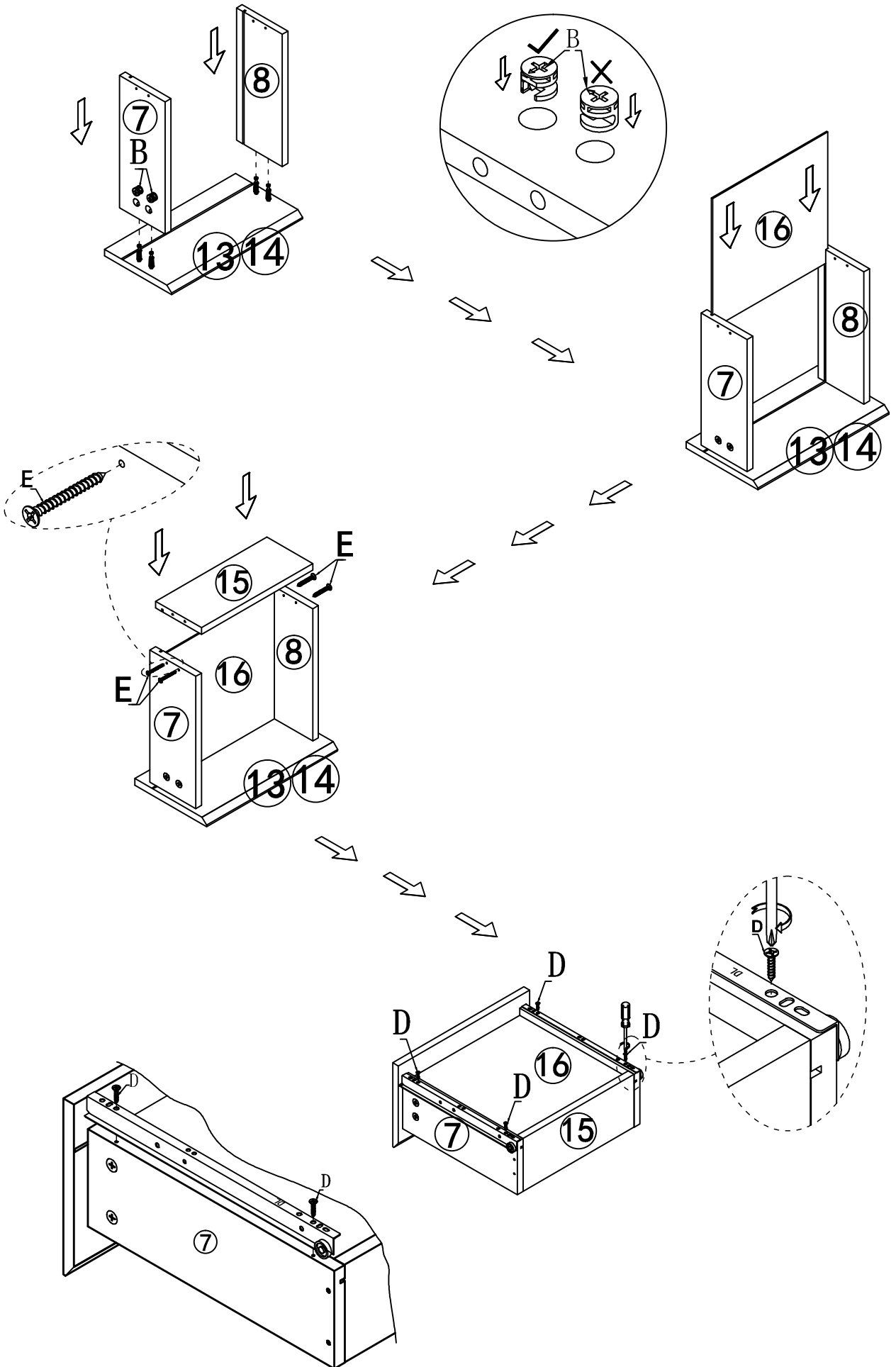
# Assembly Instruction

## Step 9

B=8 E=8

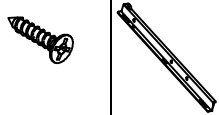


Lock Screw



## Step 10

D=8 DR=2

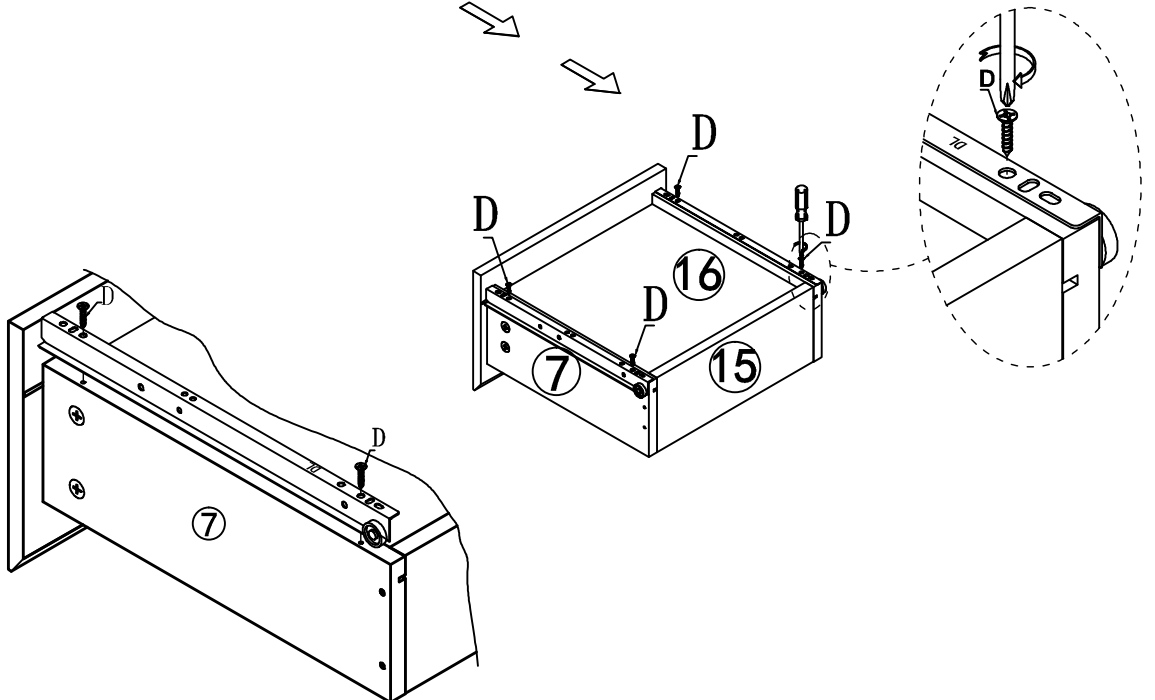


Screw Drawer Runner

DL=2



Drawer Runner



# Assembly Instruction

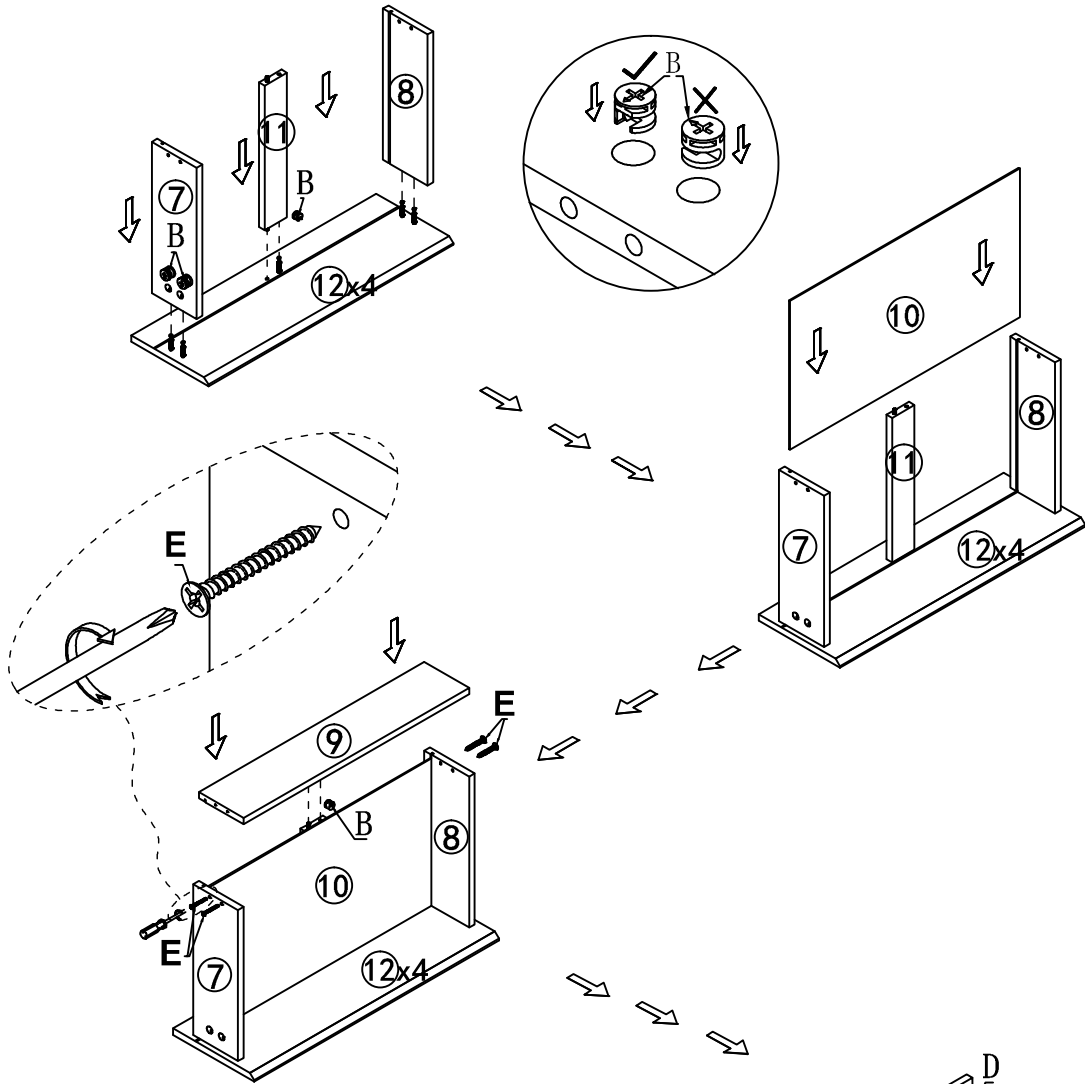
## Step 11

B=24 E=16



Lock

Screw



## Step 12

D=16

CR=4



Screw

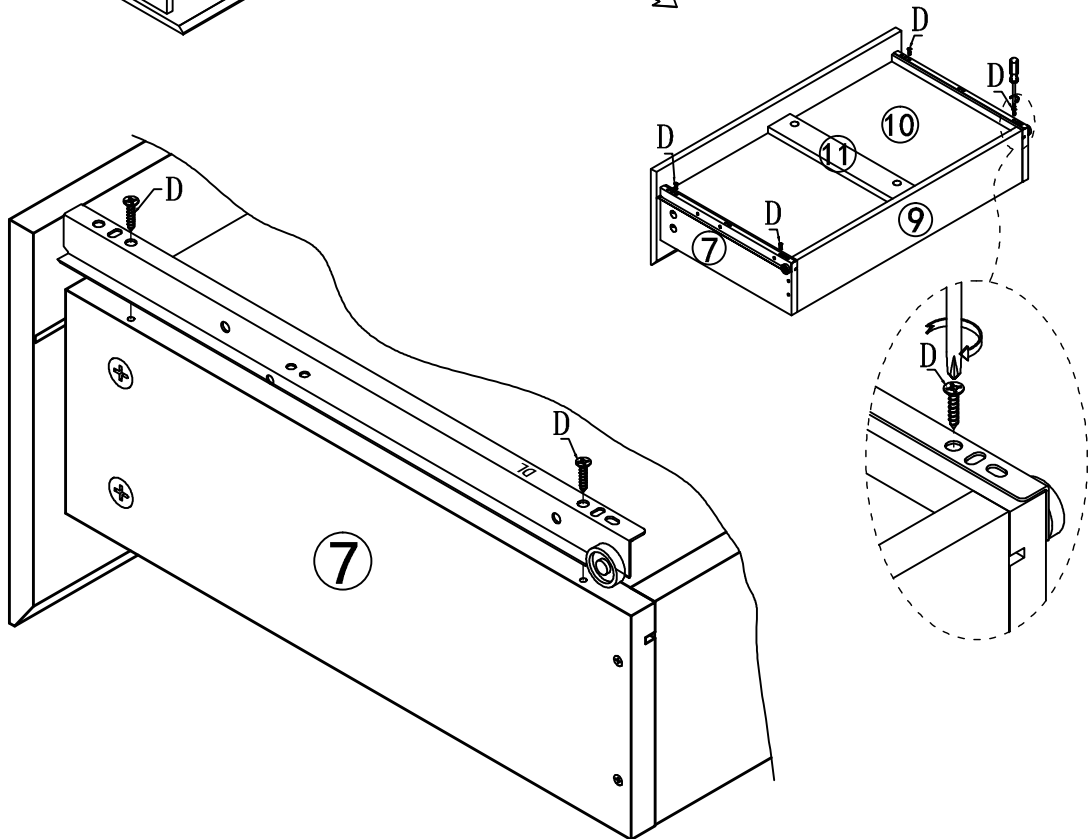
Drawer Runner

CL=4



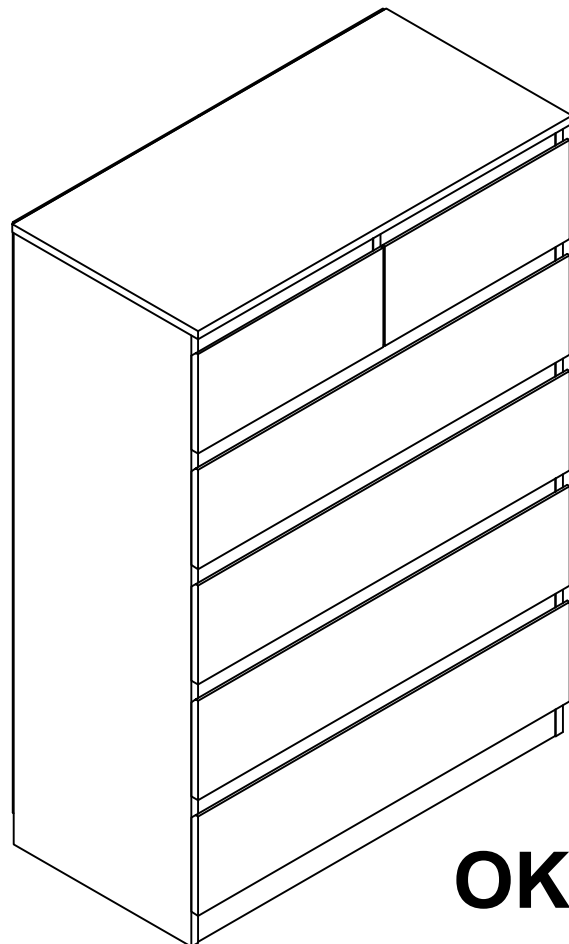
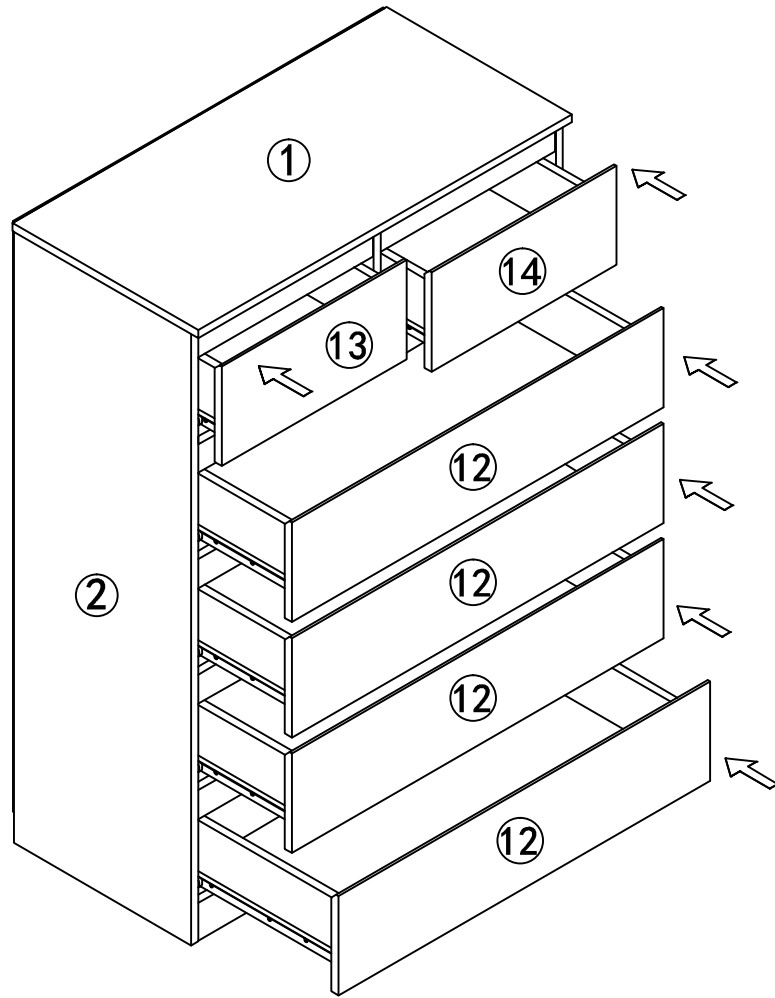
Drawer Runner

Handles



# Assembly Instruction

Step 13



**OK**

P=1

