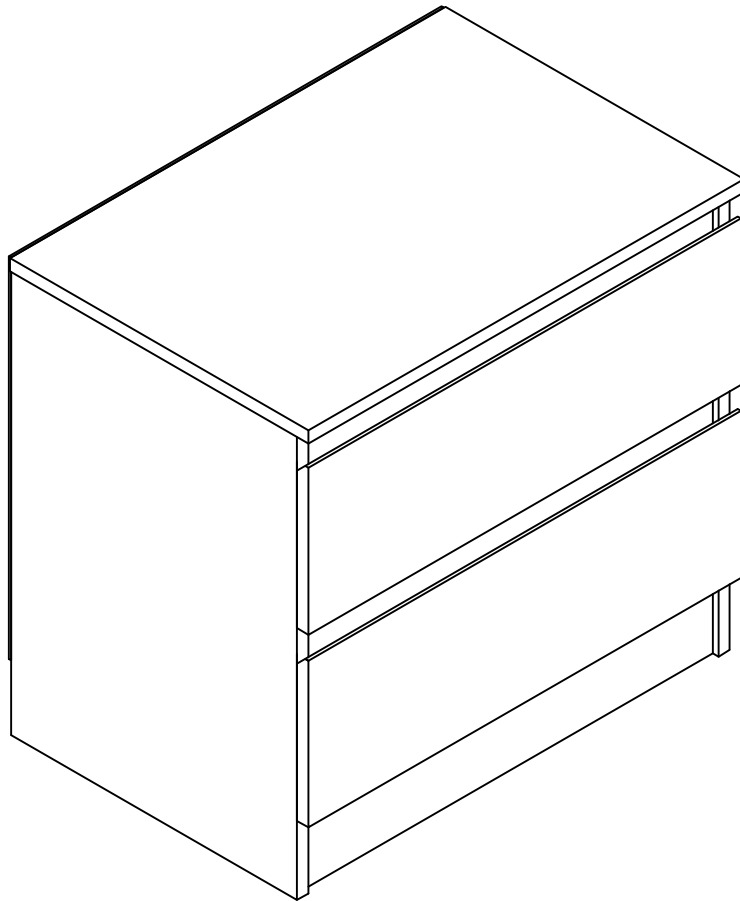


# 2 Drawers Bedside

Assembly Instructions - Thank you for your purchase.  
Please follow the instructions below for correct assembly.

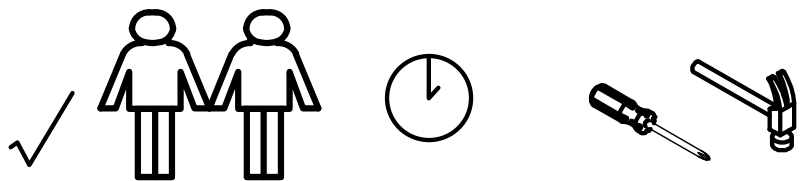


**Space General**

# Safety and Care Advice

**IMPORTANT - Please Read This Instruction Carefully Before Assembly.**

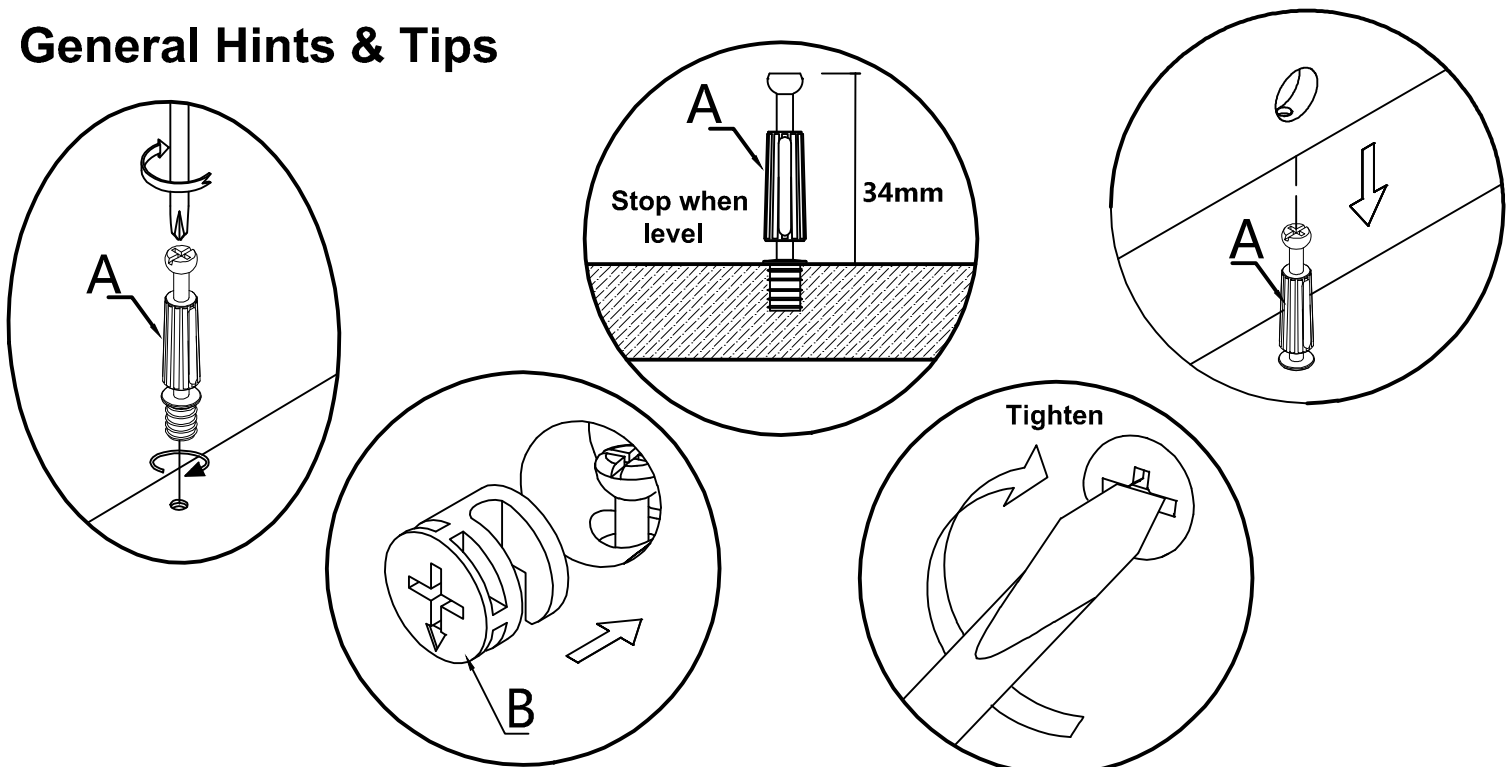
- Check you have all the components and tools listed on page 3.
- Do not stand or put weight on the product, this could cause damage.
- Do not use power drill/drivers for assembly, or the unit may be damaged.
- Remove all settings from the plastic bags and separate them into their groups.
- Assemble the item as close to it's intended position (in the same room) as possible.
- Assemble on a soft level surface to avoid damaging the unit.
- Dispose of all packaging carefully and responsibly.
- Keep children and animals away from the work area, small parts could choke if swallowed.
- Assemble on a soft level surface to avoid damaging the unit.
- Parts of the assembly will be easier with 2 people.
- Make sure you have enough space to layout the parts before assembly.



## CARE and MAINTENANCE

- Only clean using a damp cloth and mild detergent, do not use bleach or abrasive cleaners.
- From time to time check that there are no loose screws on this unit.
- This product should not be discarded with household waste. Take to your local authority waste disposal center.

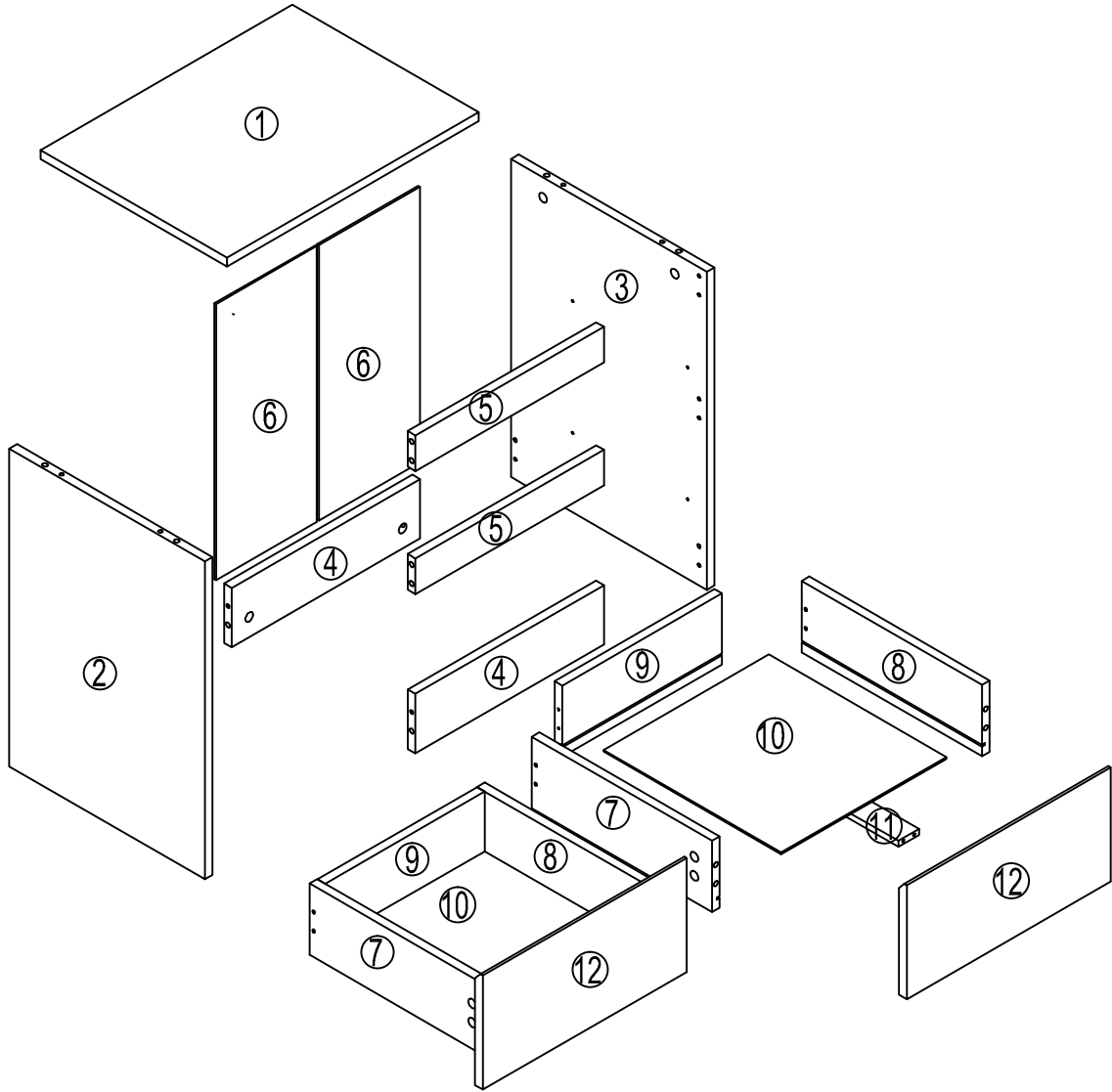
## General Hints & Tips

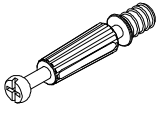
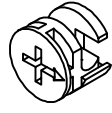
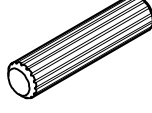
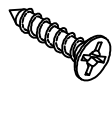


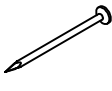
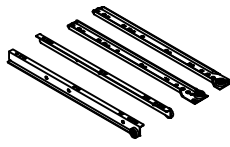


# Components and Tools

**IMPORTANT - Please Check If You Have All The Components and Tools.**

**Note: The quantities below are the correct amount to complete the assembly. In some cases more pieces may be supplied than are required.**

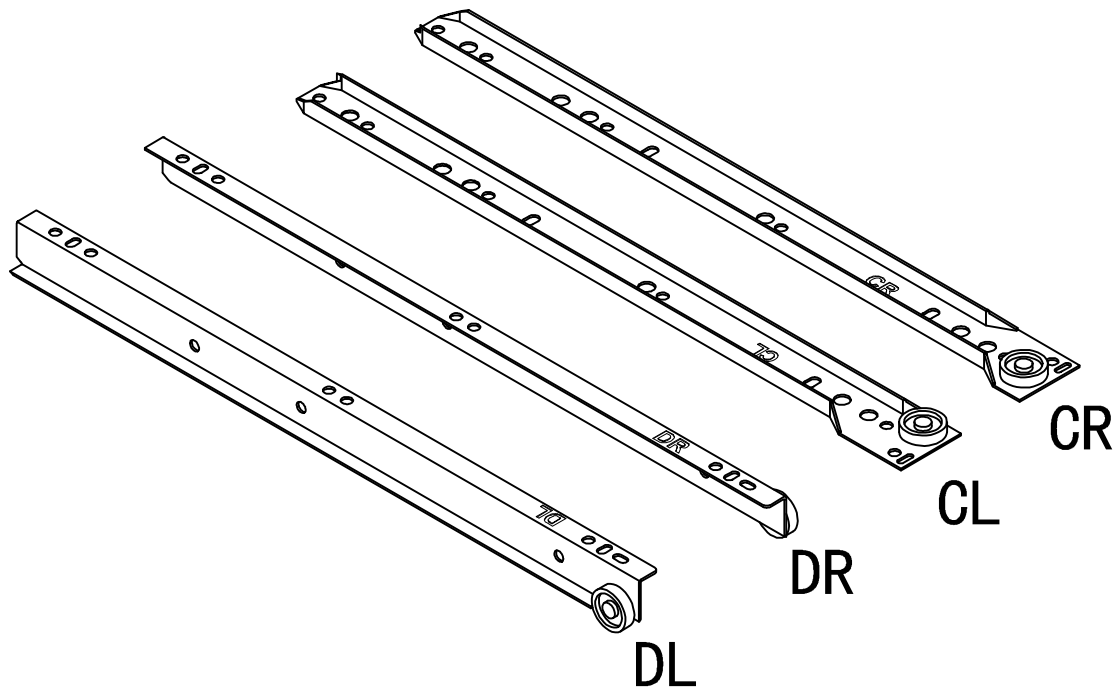


<p>A=24</p>  <p>Peg M6*34mm</p>	<p>B=24</p>  <p>Lock M15*12mm</p>	<p>C=16</p>  <p>Dowel M6*30mm</p>	<p>D=16</p>  <p>Screw M3.5*14mm</p>	<p>E=8</p>  <p>Screw M4*38</p>	<p>F=4</p>  <p>Plastic Feet</p>
<p>G=16</p>  <p>Pin</p>	<p>CR CL DR DL=2</p>  <p>Drawer Runner</p>				

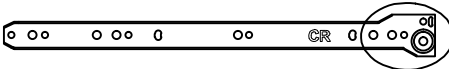
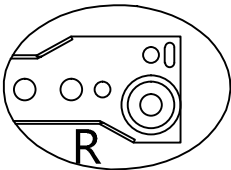
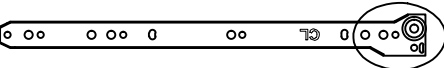
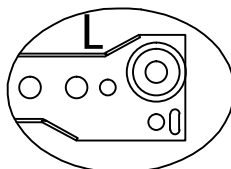

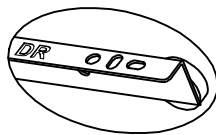
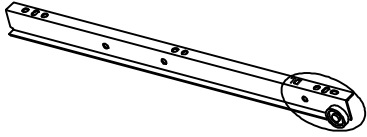
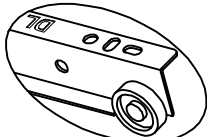
# Drawer Runner Instruction

**IMPORTANT - Please Read It Carefully.**

**NOTE:1 PAIR DRAWER RUNNER INCLUDES 4 PIECES.**



## Fittings (not to scale)

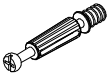
NO.	DESCRIPTION	QTY		
CR	Outer Drawer Runner - Right	2PCS		
CL	Outer Drawer Runner - Left	2PCS		
DR	Inner Drawer Runner - Right	2PCS		
DL	Inner Drawer Runner - Left	2PCS		

# Assembly Instruction

## Step 1

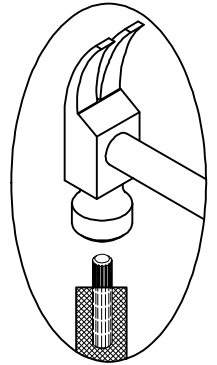
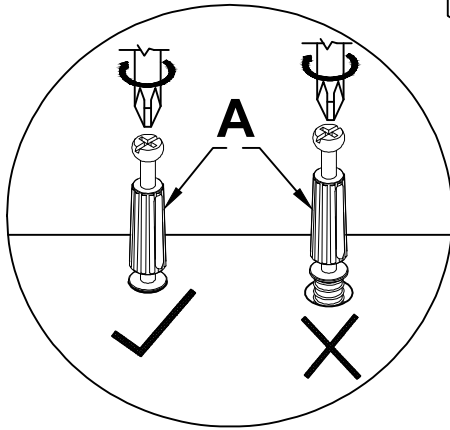
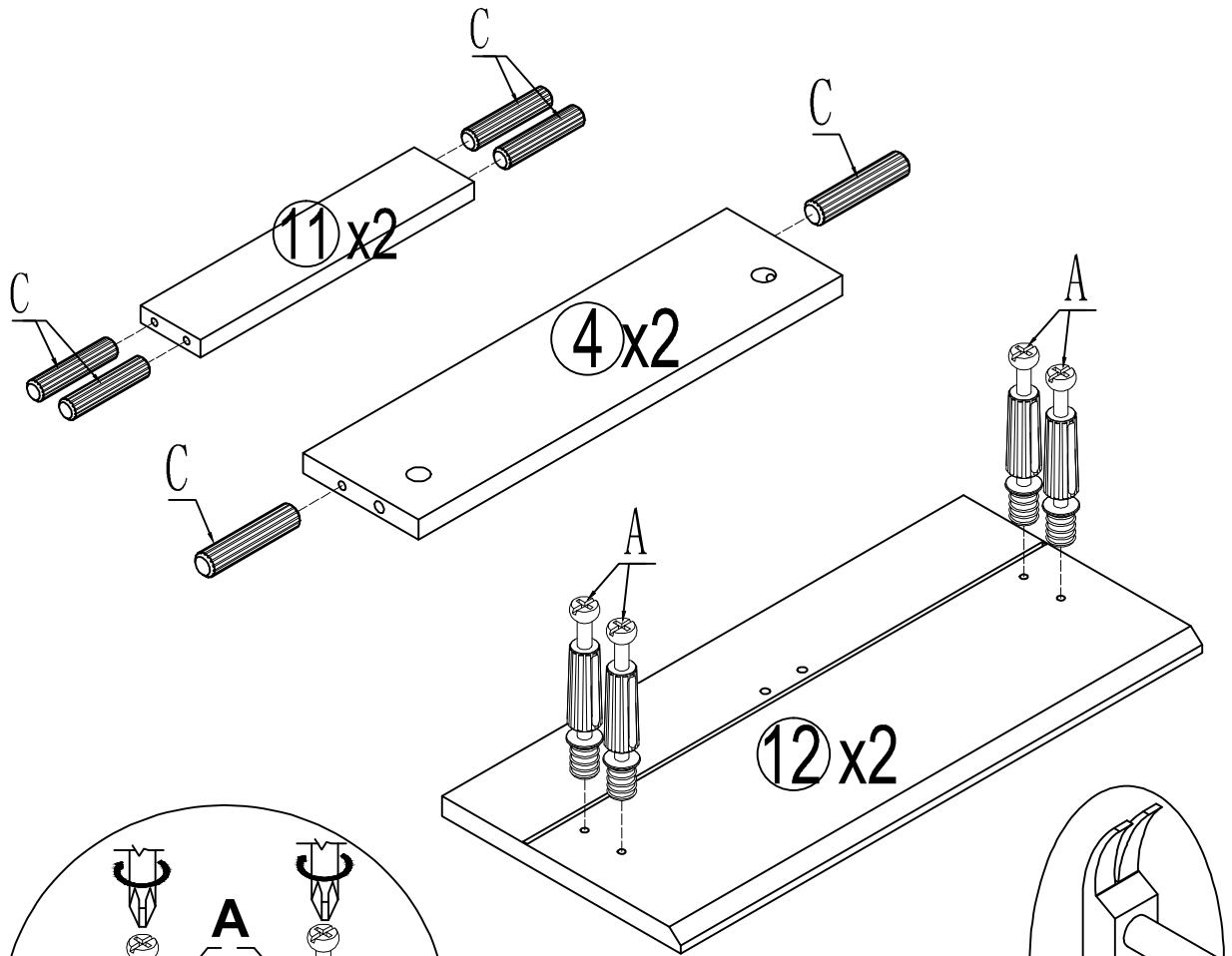
A=8

C=12



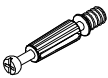
Peg

Dowel

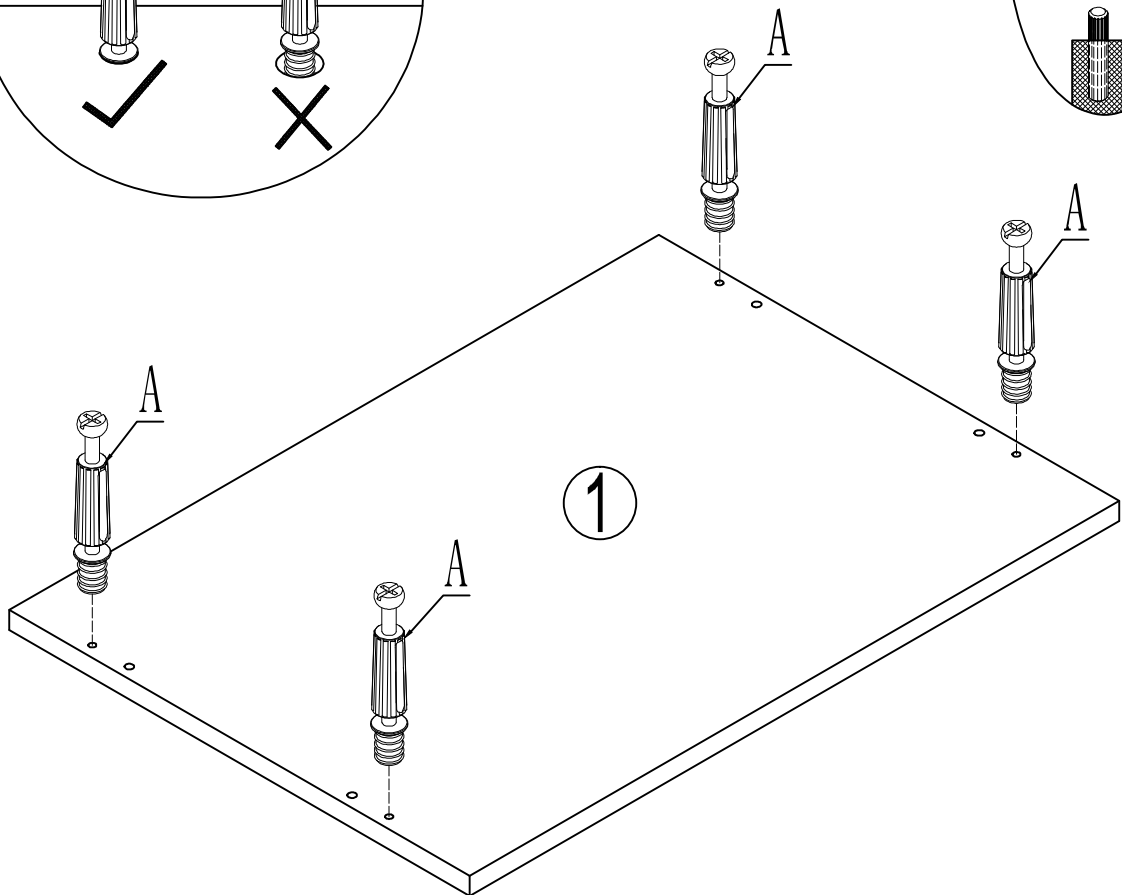


## Step 2

A=4

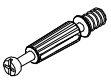
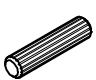
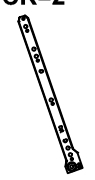



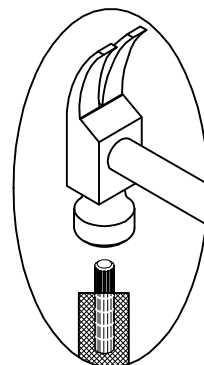
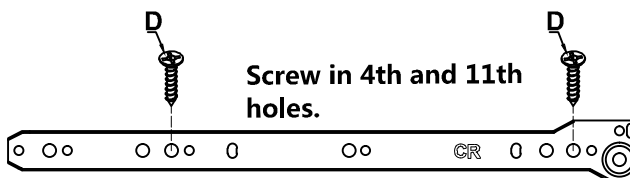
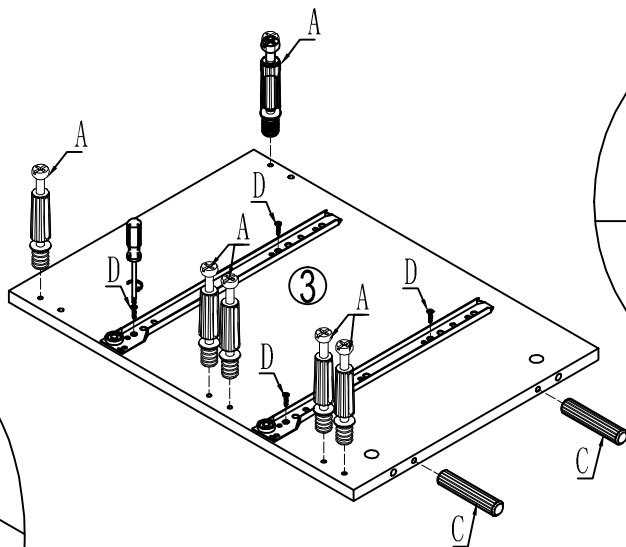
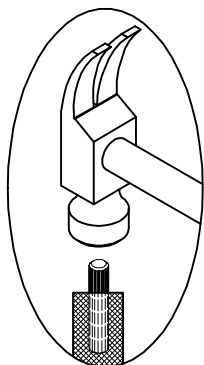
Peg



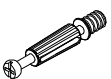
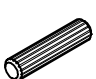
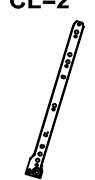

# Assembly Instruction

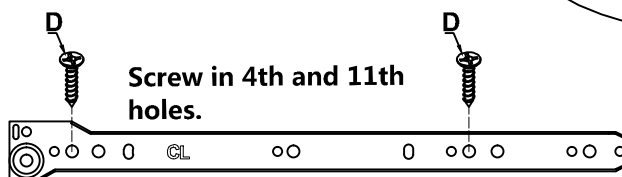
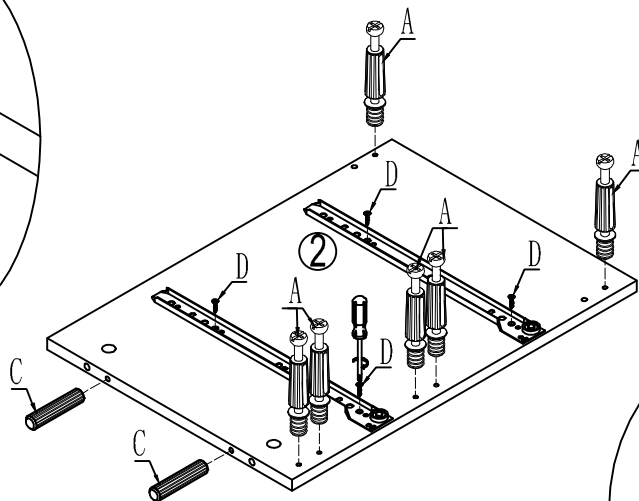
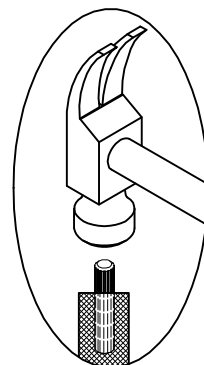
## Step 3

A=6	C=2
	
Peg	Dowel
CR=2	D=4
	
Drawer Runner	Screw M3.5*14mm



## Step 4

A=6	C=2
	
Peg	Dowel
CL=2	D=4
	
Drawer Runner	Screw M3.5*14mm



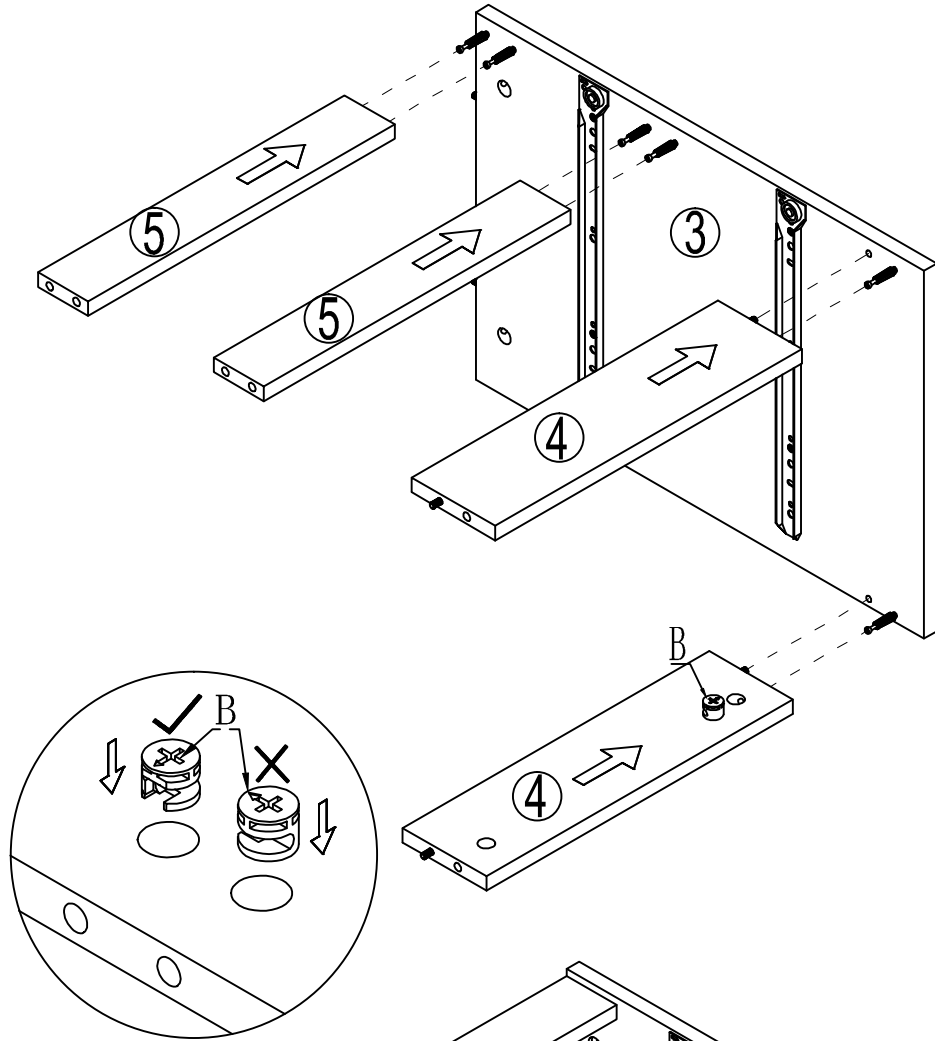
# Assembly Instruction

## Step 5

B=6



Lock

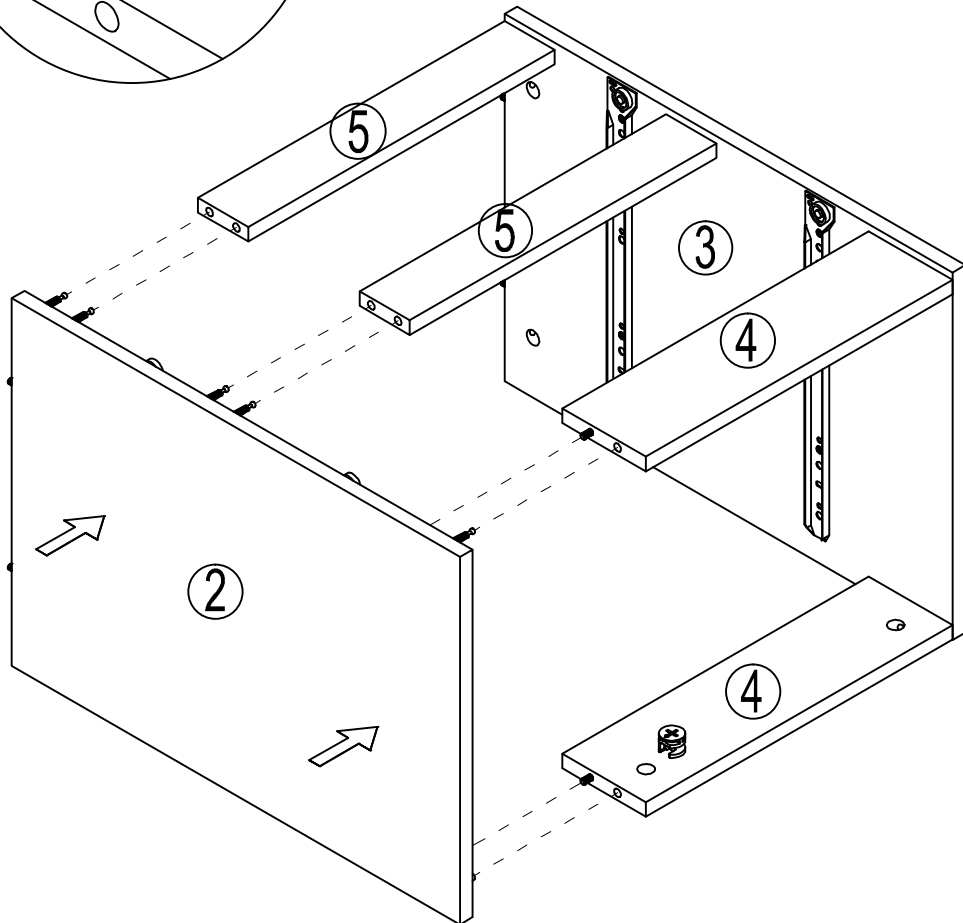


## Step 6

B=6

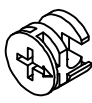



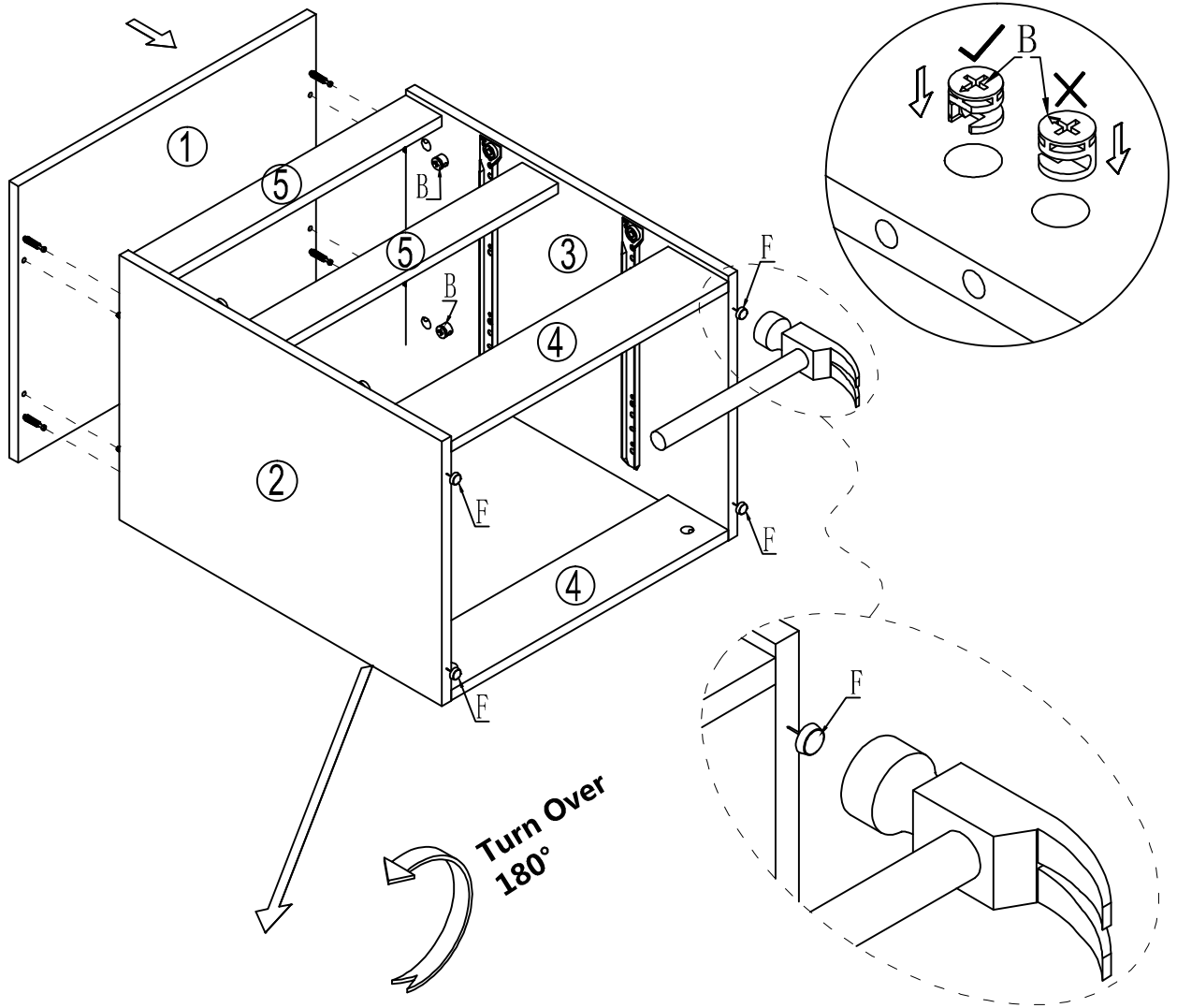
Lock




# Assembly Instruction

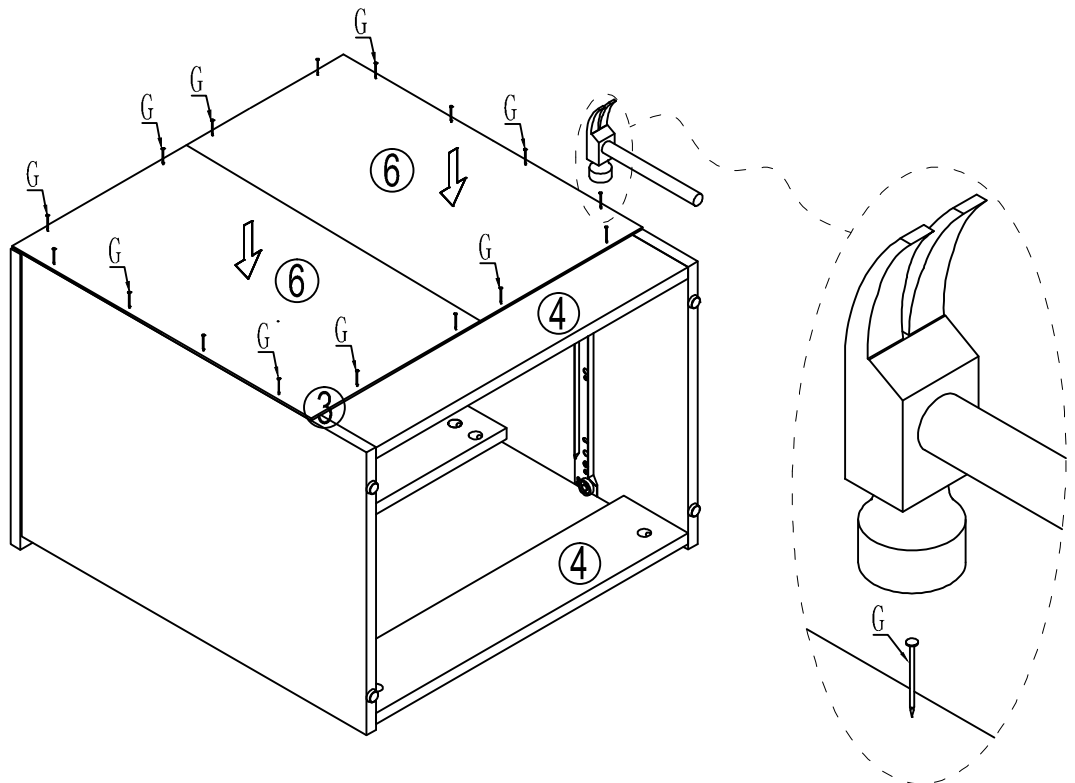
## Step 7

B=4	F=4
	
Lock	Plastic Foot



## Step 8

G=16	
	
Pin	





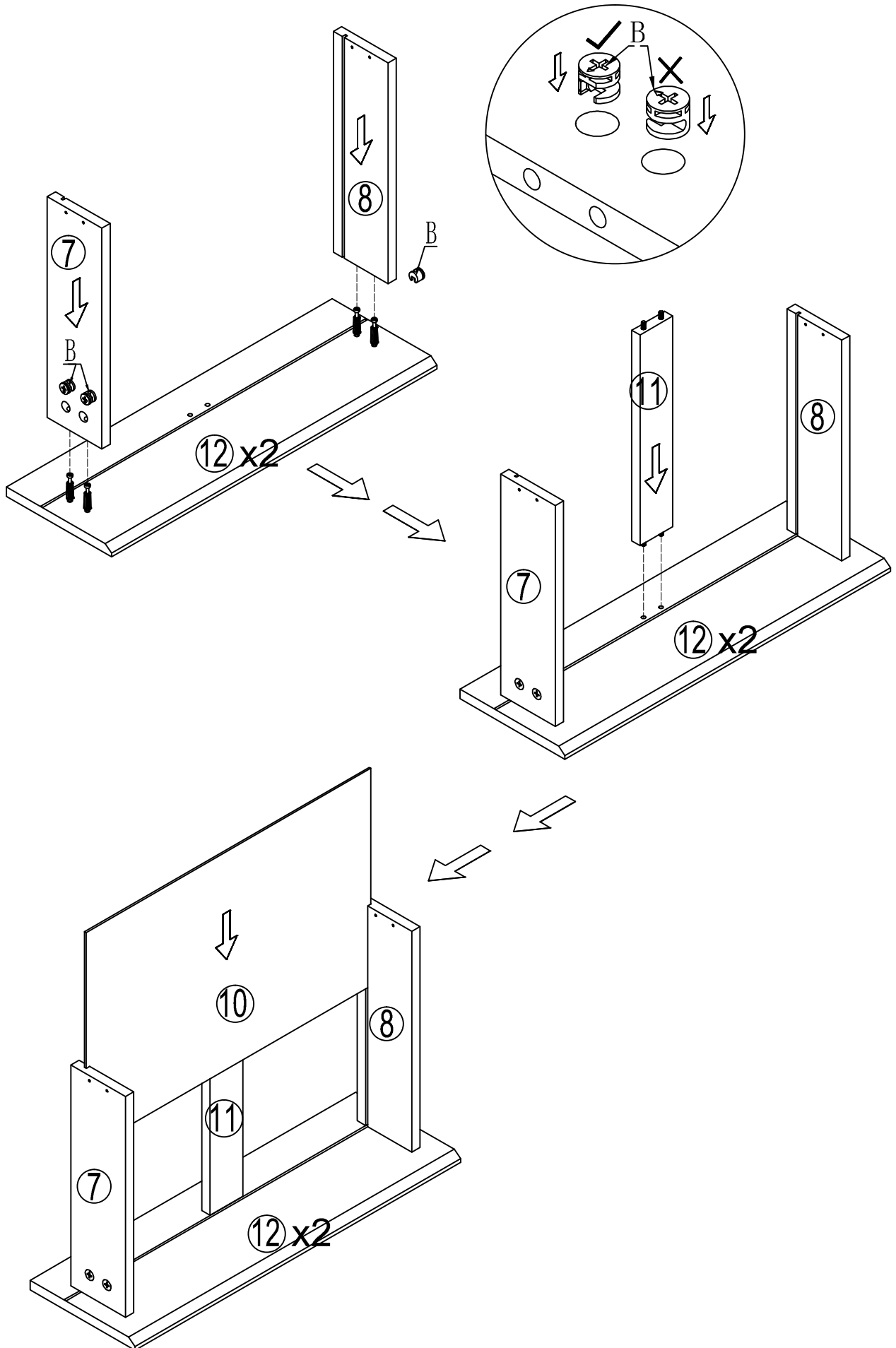
# Assembly Instruction

## Step 9

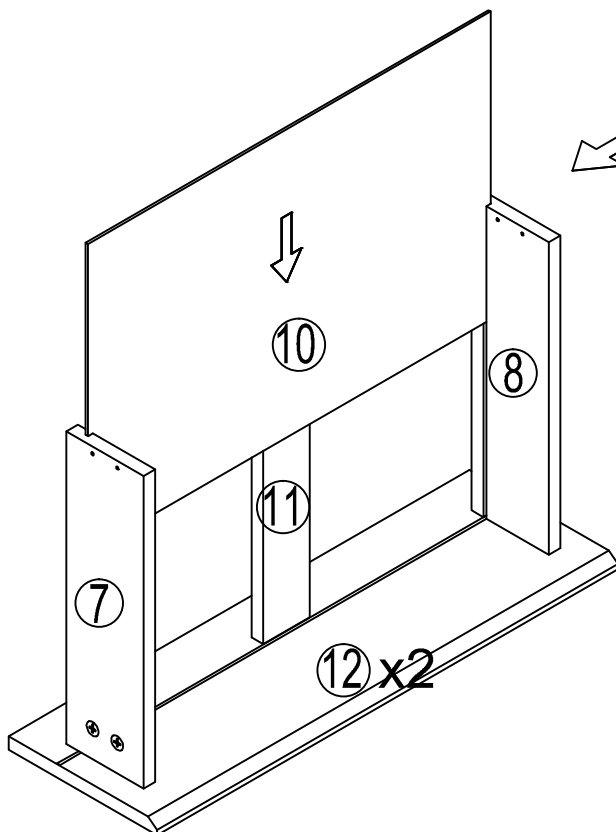
B=8



Lock



## Step 10



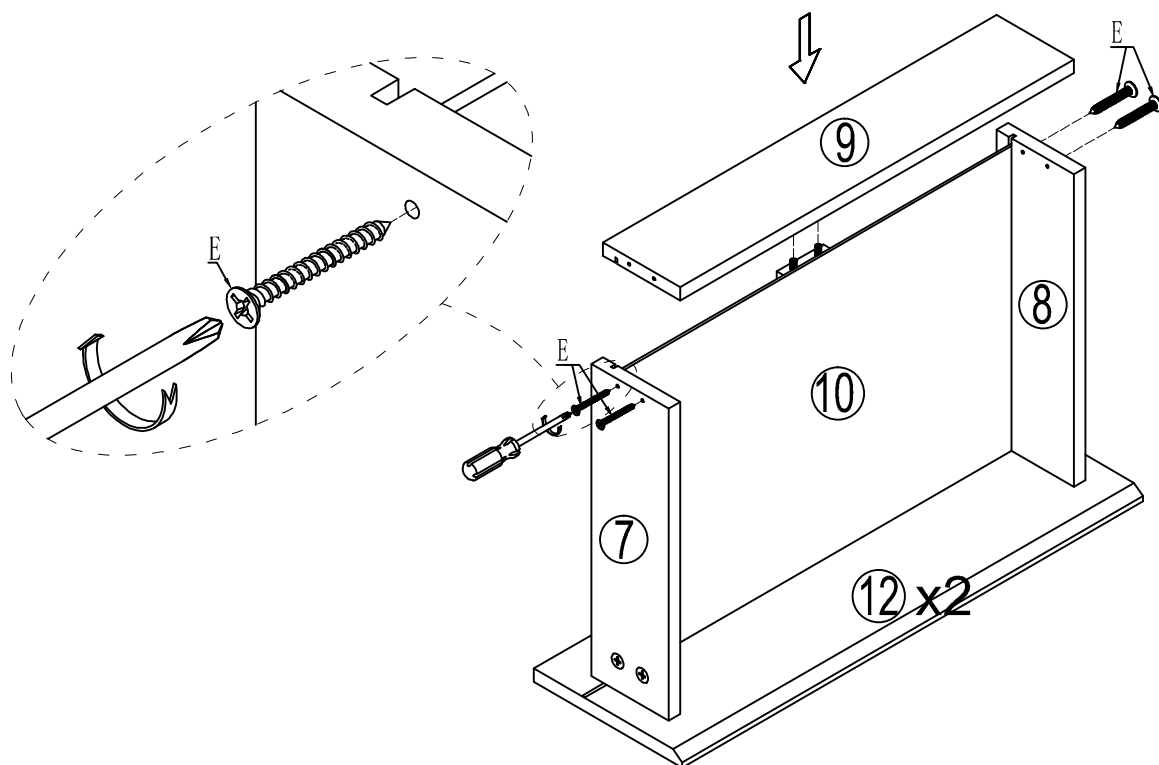
# Assembly Instruction

## Step 11

E=8



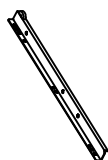
Screw  
M4\*38



## Step 12

DR=2

DL=2



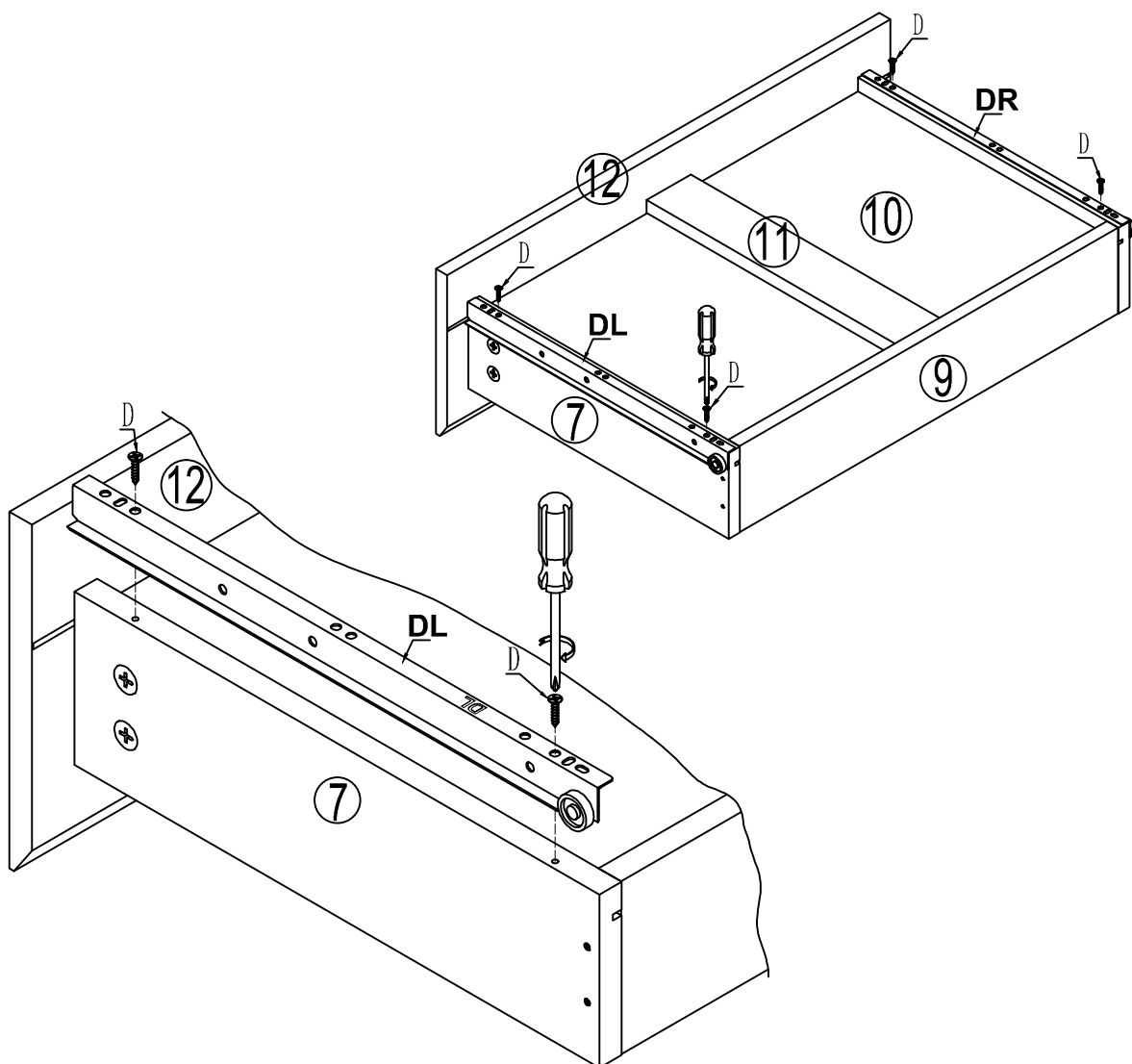
Drawer  
Runner

Drawer  
Runner

D=8

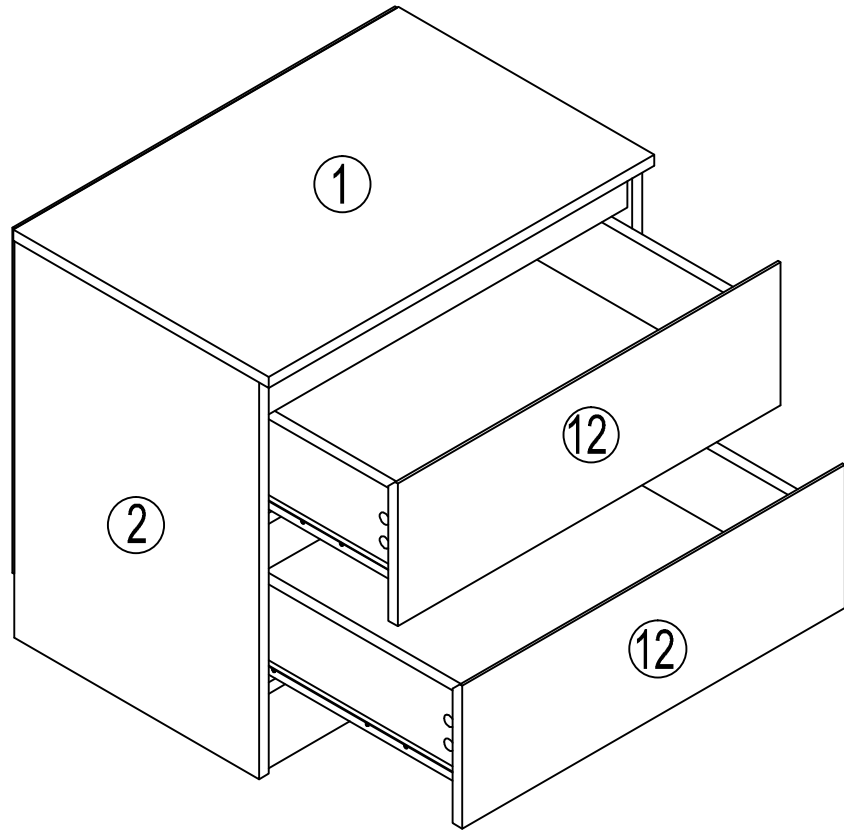


Screw  
M3.5\*14mm

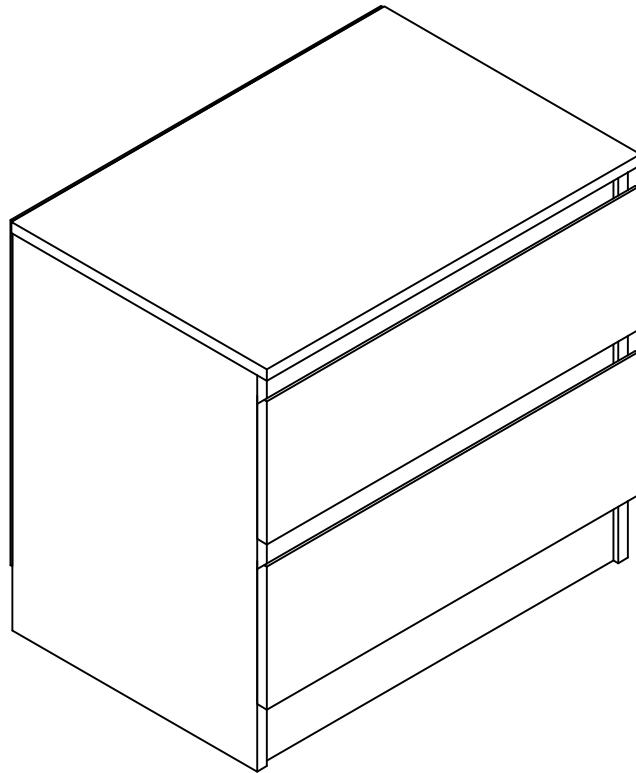


# Assembly Instruction

## Step 13



## Step 14



OK