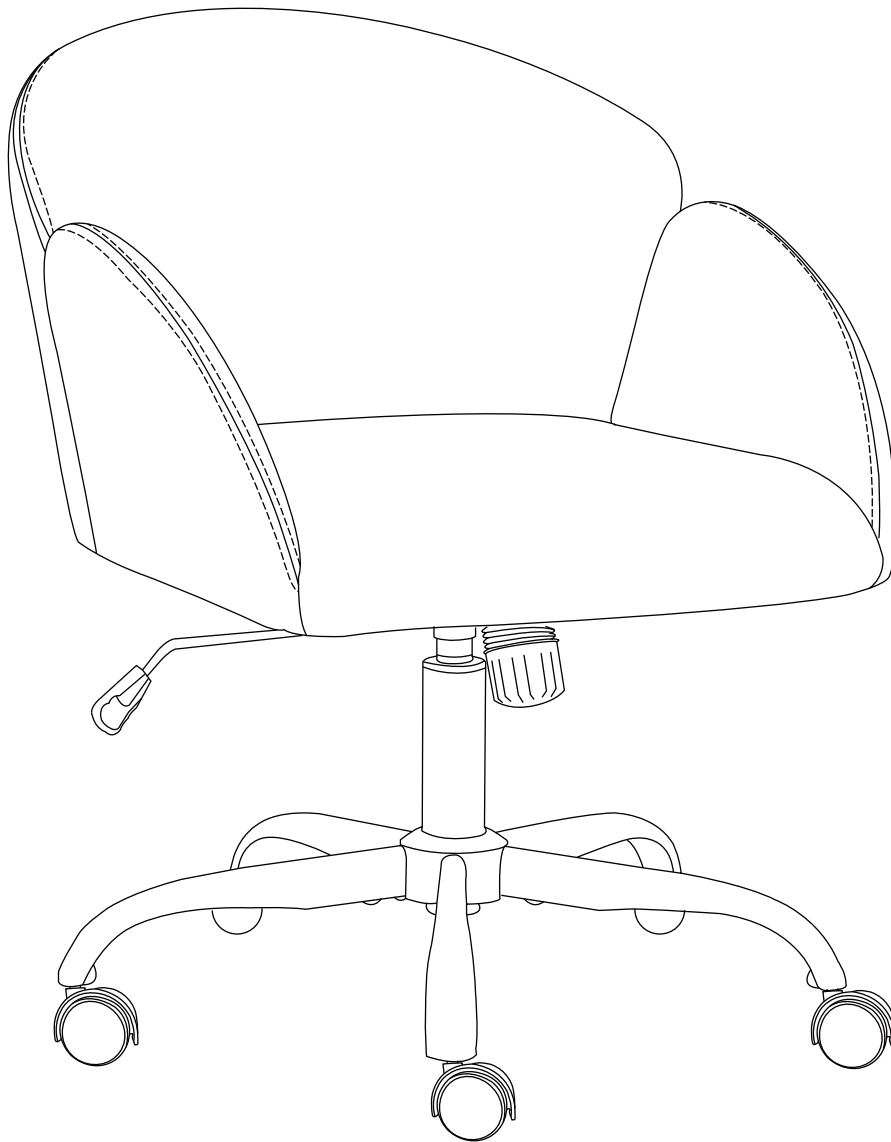


# Office Chair

Assembly Instructions - Thank you for your purchase.  
Please follow the instructions below for correct assembly.



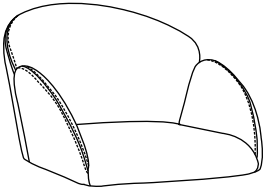
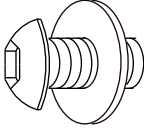

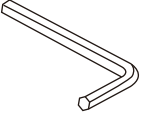
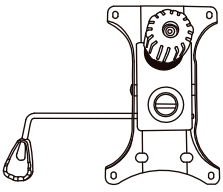
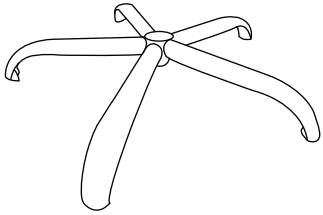

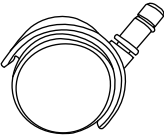
**Space General**

[www.spacegeneral.co.nz](http://www.spacegeneral.co.nz)

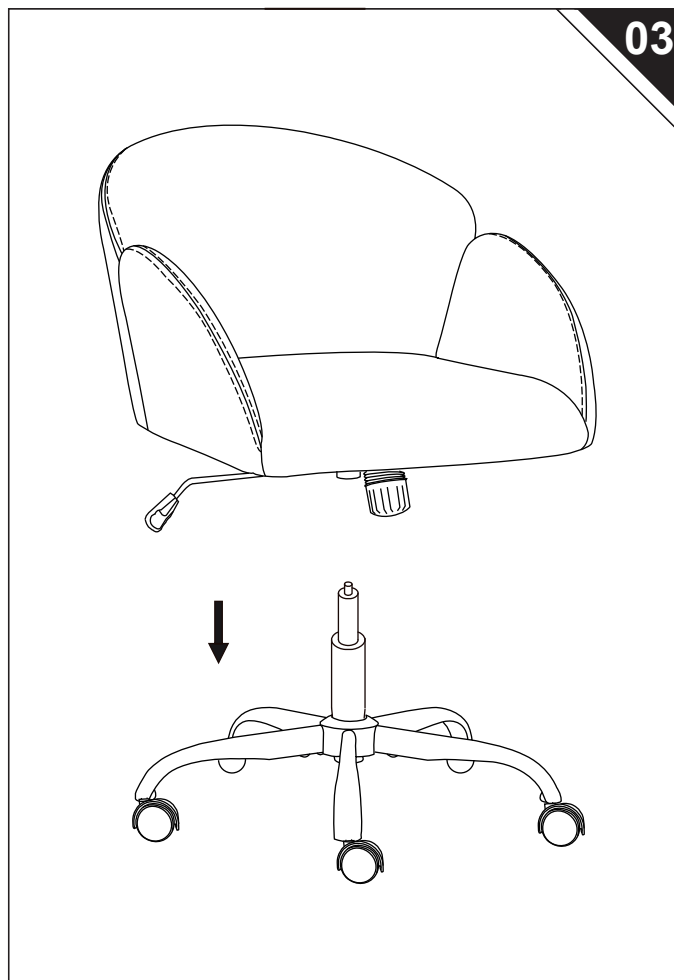
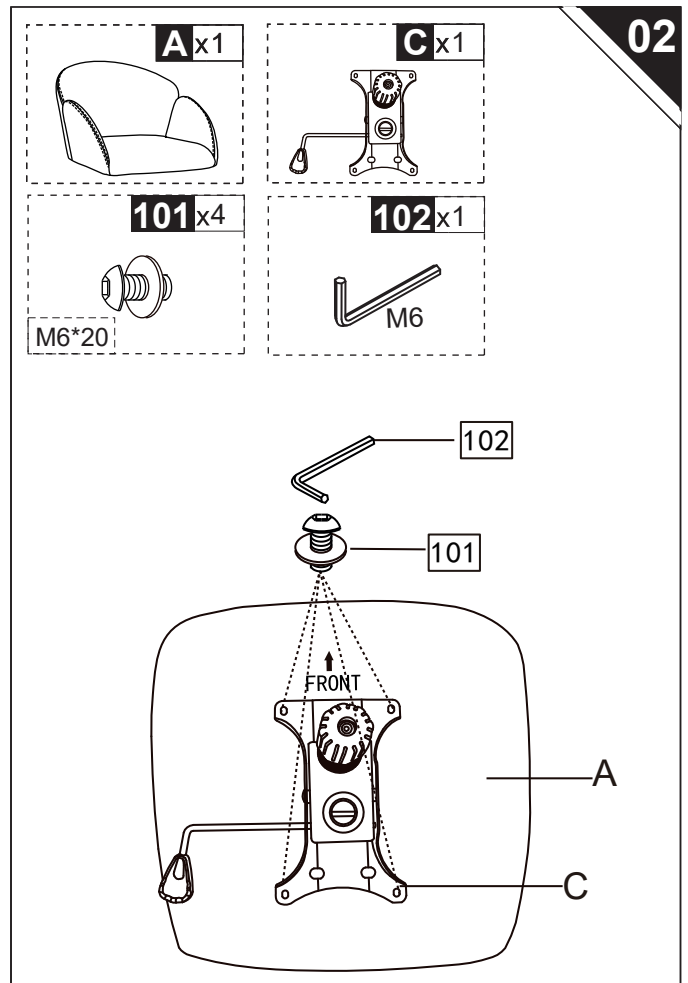
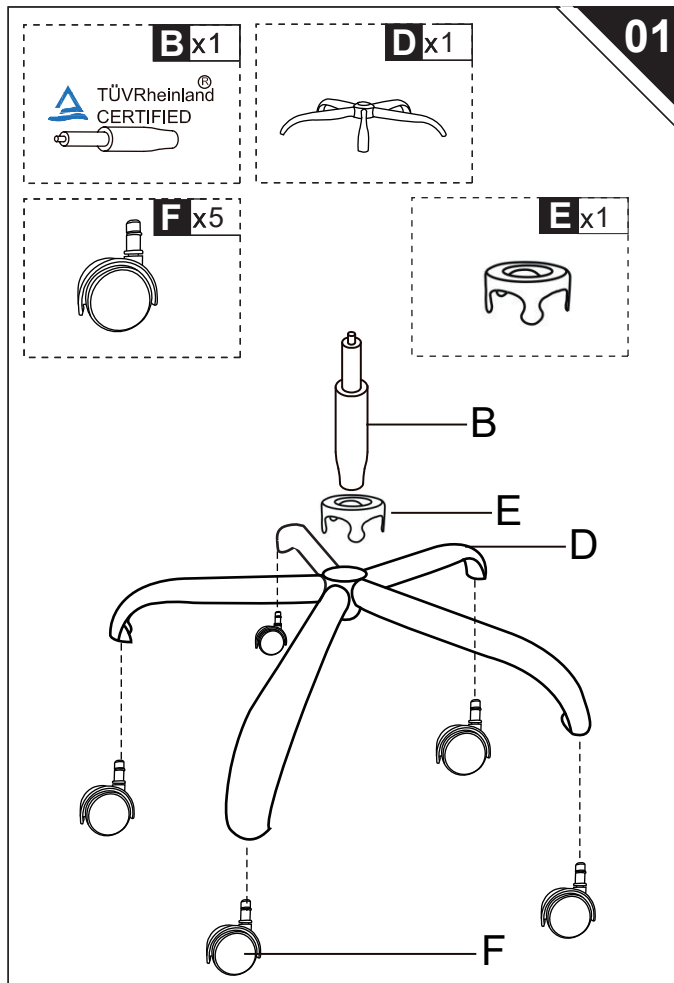
# Components and Tools

**IMPORTANT - Please Check If You Have All The Components and Tools.**

**Note: The quantities below are the correct amount to complete the assembly. In some cases more pieces may be supplied than are required.**

<b>A</b> x 1 	<b>101</b> x 4 
<b>B</b> x 1 	<b>102</b> x 1  M6
<b>C</b> x 1 	
<b>D</b> x 1 	
<b>E</b> x 1 	
<b>F</b> x 5 	

# Assembly Instruction



**spacegeneral.co.nz**

**Great job. You're done!**

**Don 't forget to share how it looks in  
your space and tag us on Instagram  
@spacegeneralnz**