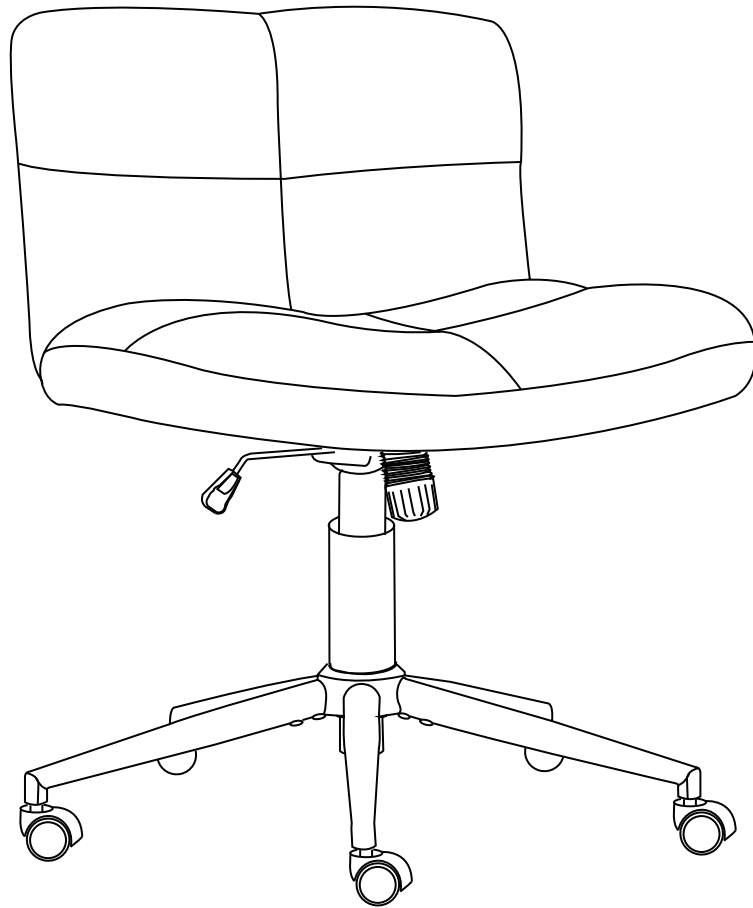


Cross-legged chair

Assembly Instructions - Thank you for your purchase.
Please follow the instructions below for correct assembly.

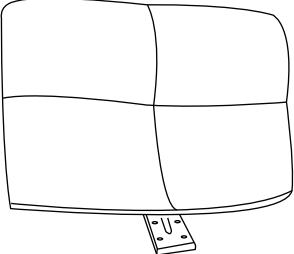
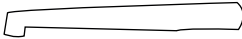
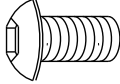

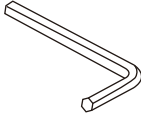

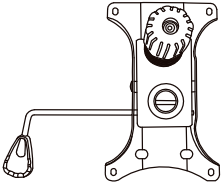
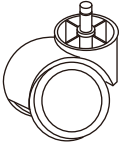
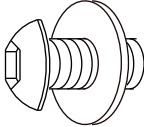
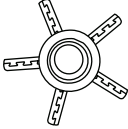
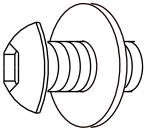


Space General

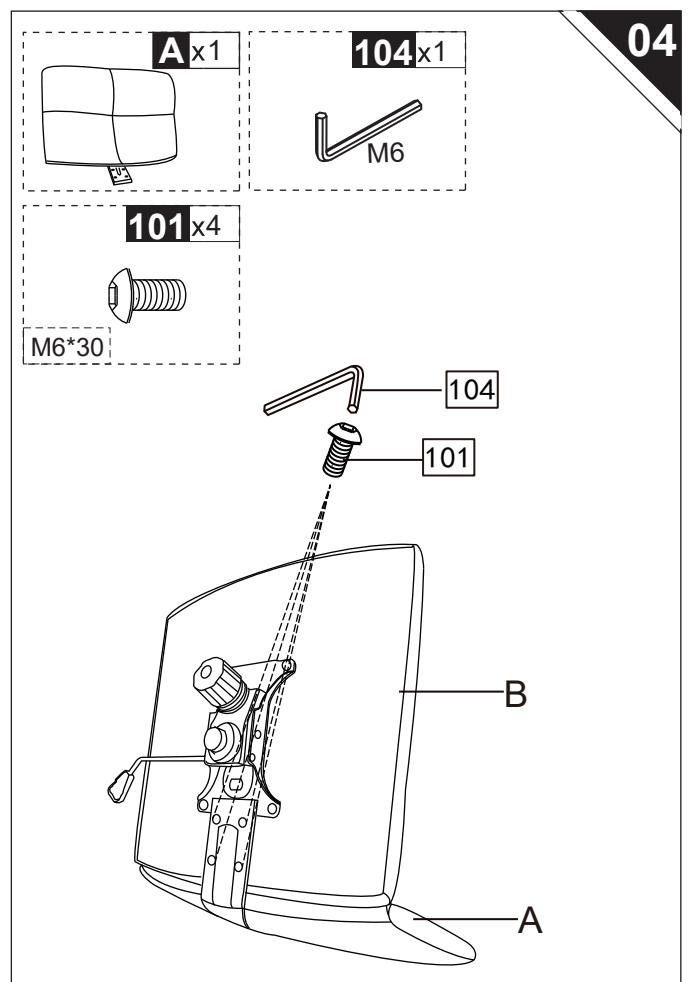
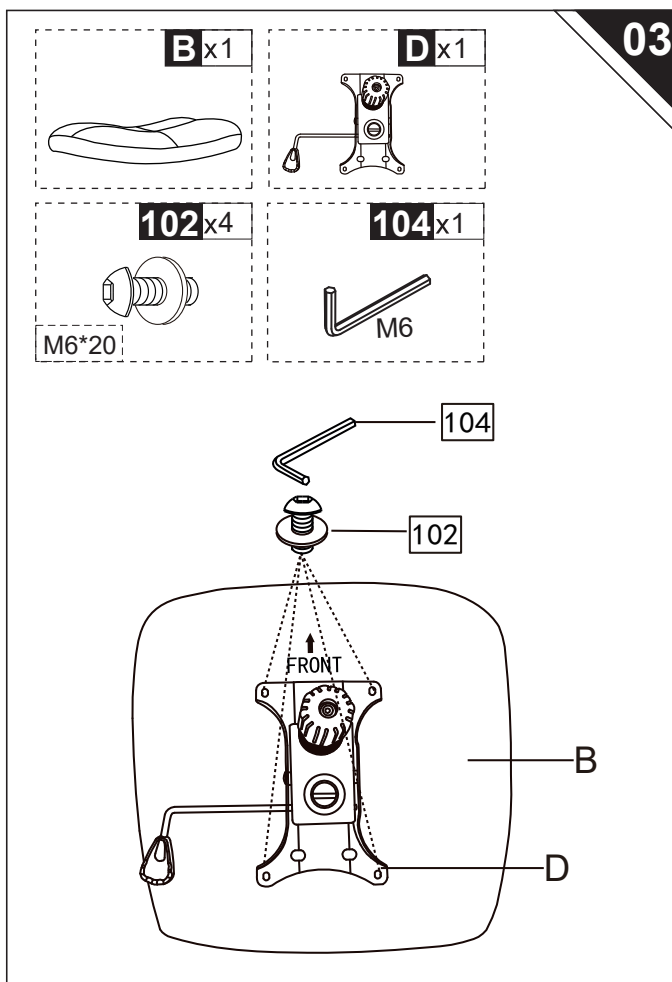
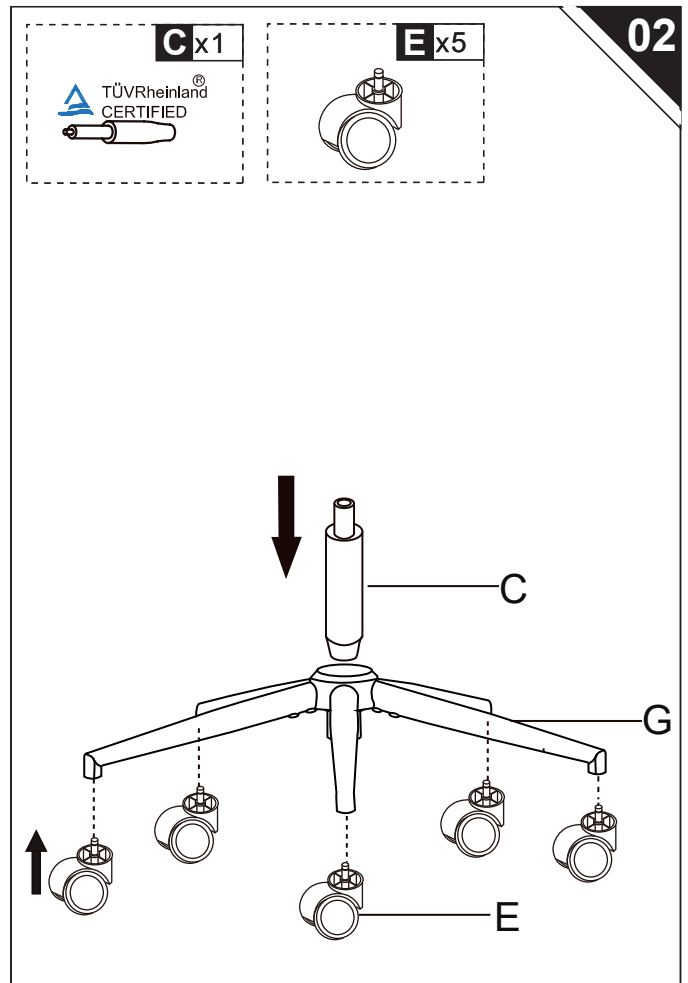
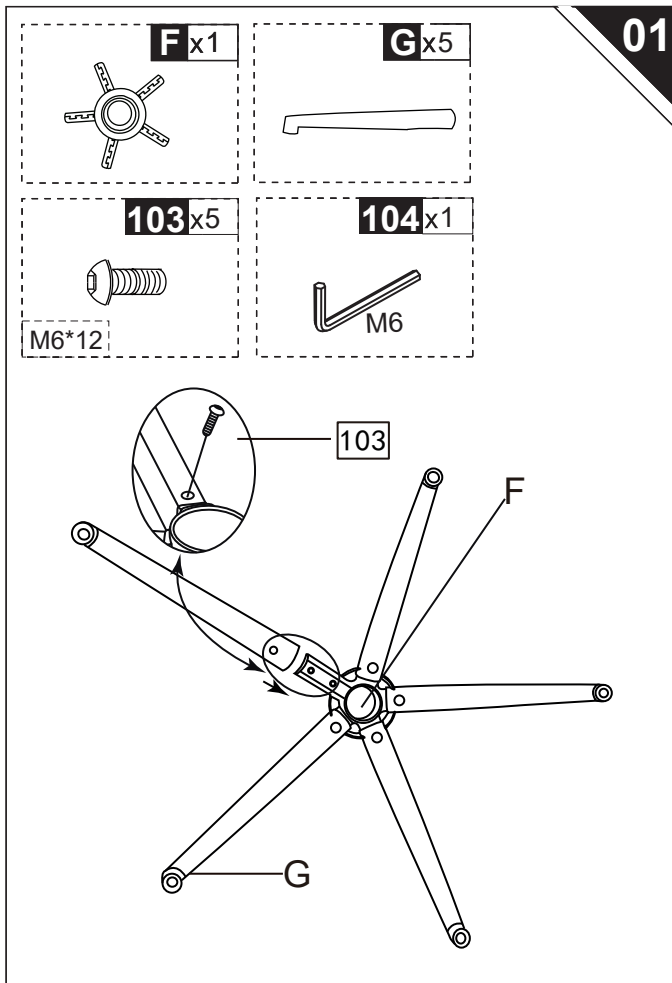
www.spacegeneral.co.nz

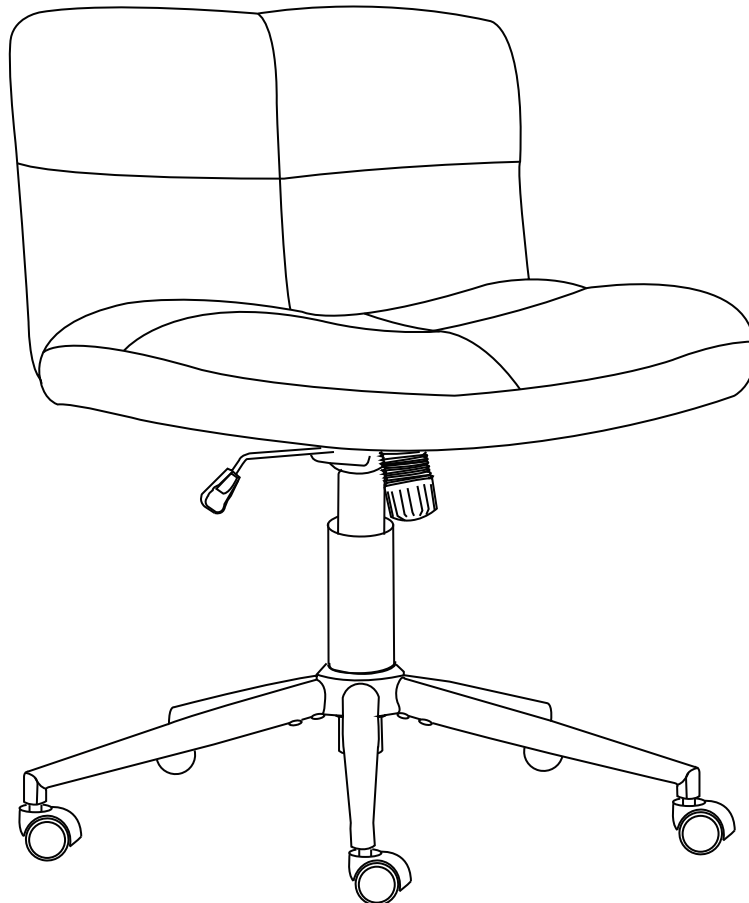
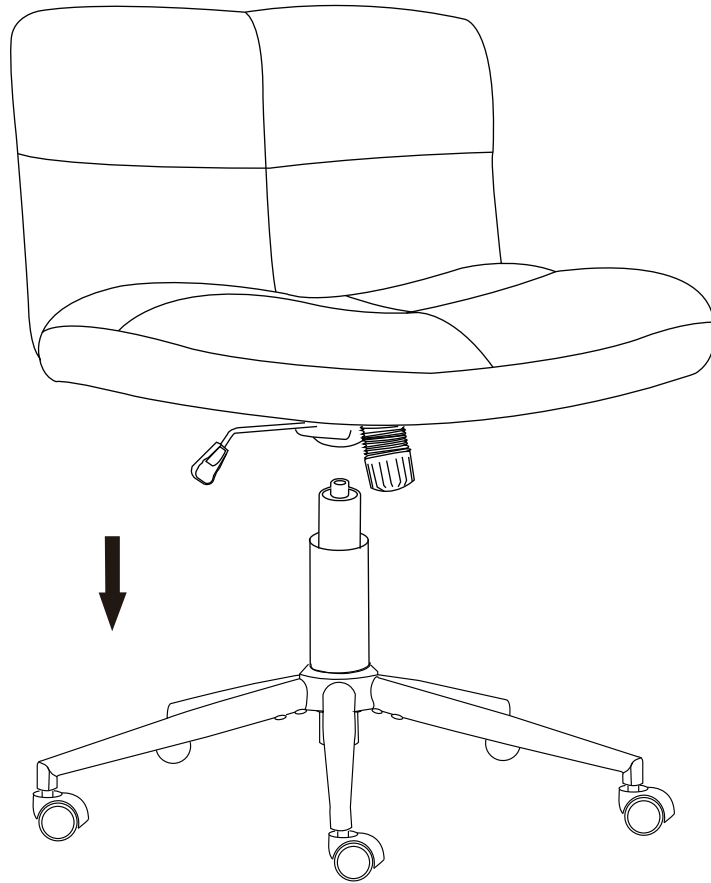
Components and Tools

IMPORTANT - Please Check If You Have All The Components and Tools.
Note: The quantities below are the correct amount to complete the assembly. In some cases more pieces may be supplied than are required.

<p>A x 1</p> 	<p>G x 5</p> 	<p>103 x 5</p> 
<p>B x 1</p> 	<p>M6*12</p>	<p>104 x 1</p>  <p>M6</p>
<p>C x 1</p> 		
<p>D x 1</p> 		
<p>E x 5</p> 	<p>101 x 4</p> 	
<p>F x 1</p> 	<p>M6*30</p> <p>102 x 4</p> 	<p>M6*20</p>

Assembly Instruction





spacegeneral.co.nz

Great job. You're done!

**Don 't forget to share how it looks in
your space and tag us on Instagram
@spacegeneralnz**