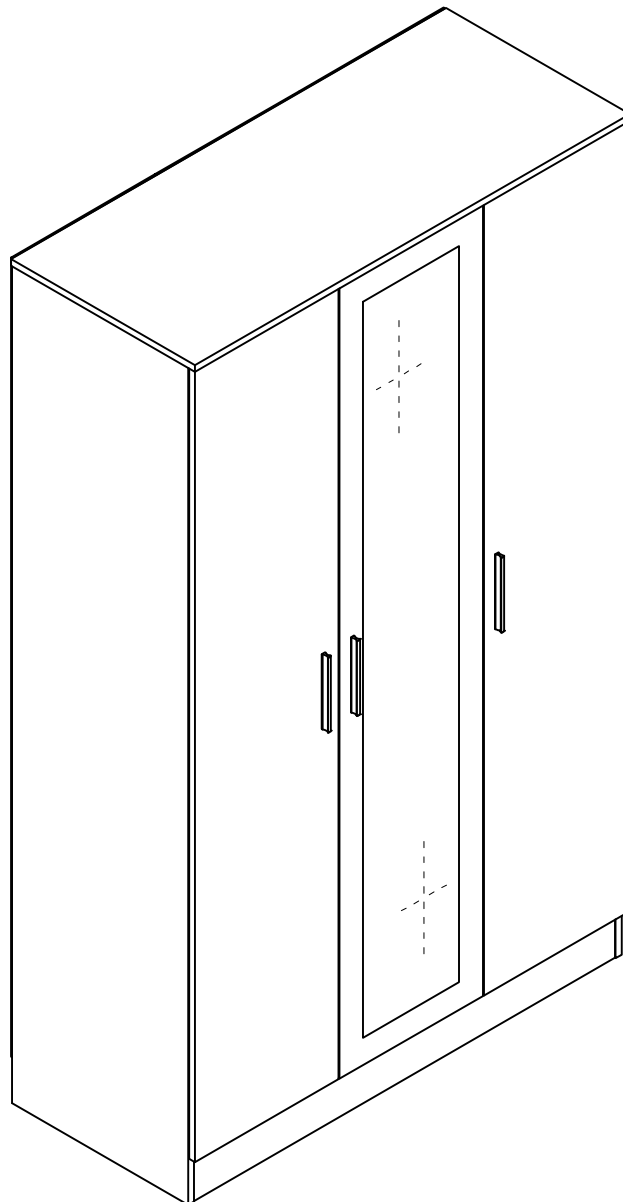


3 DOOR MIRROR WARDROBE

Assembly Instructions - Thank you for your purchase.
Please follow the instructions below for correct assembly.

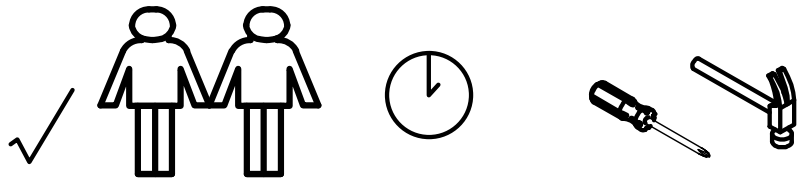
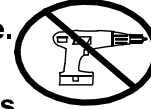


Space General

Safety and Care Advice

IMPORTANT - Please Read This Instruction Carefully Before Assembly.

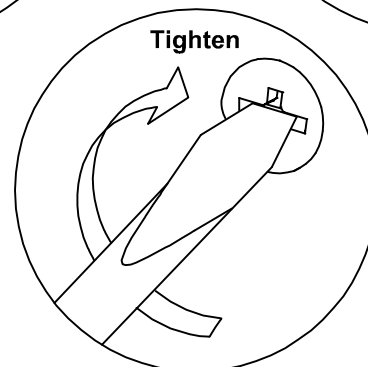
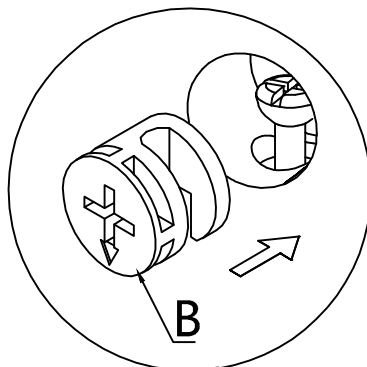
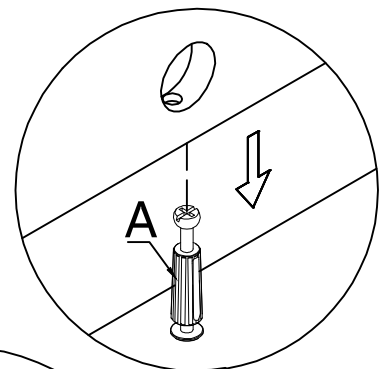
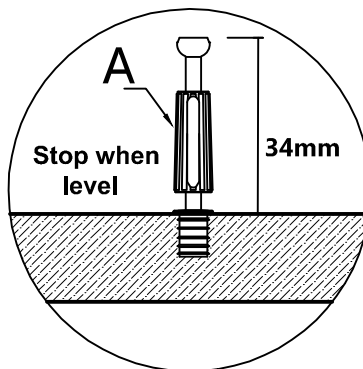
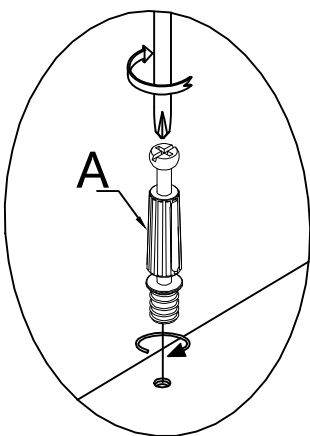
- Check you have all the components and tools listed on page 3.
- Remove all settings from the plastic bags and separate them into their groups.
- Keep children and animals away from the work area, small parts could choke if swallowed.
- Make sure you have enough space to layout the parts before assembly.
- Do not stand or put weight on the product, this could cause damage.
- Assemble the item as close to it's intended position (in the same room) as possible.
- Assemble on a soft level surface to avoid damaging the unit.
- Parts of the assembly will be easier with 2 people.
- Do not use power drill/drivers for assembly, or the unit may be damaged.
- Dispose of all packaging carefully and responsibly.



CARE and MAINTENANCE

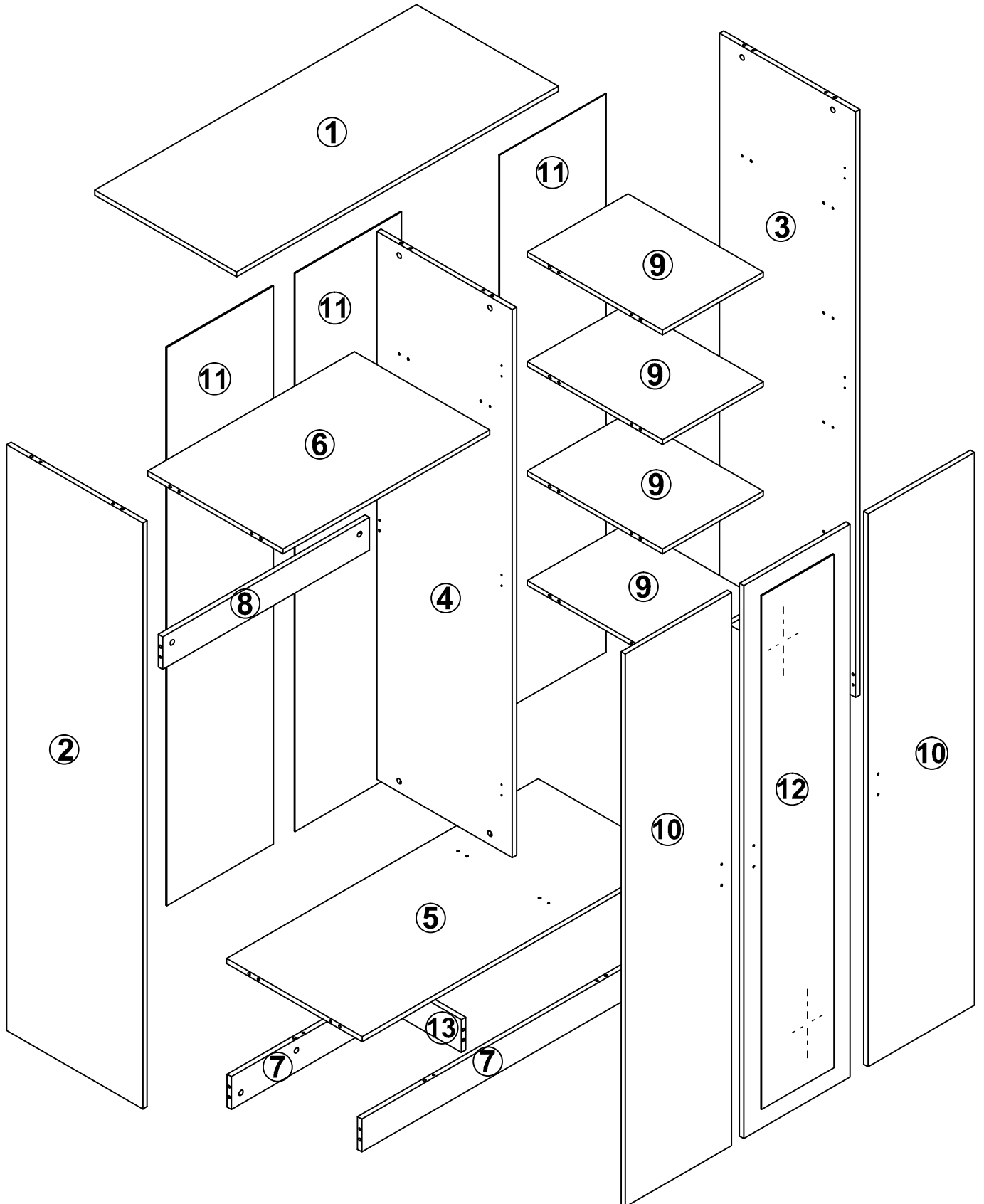
- Only clean using a damp cloth and mild detergent, do not use bleach or abrasive cleaners.
- From time to time check that there are no loose screws on this unit.
- This product should not be discarded with household waste. Take to your local authority waste disposal center.

General Hints & Tips



Components and Tools

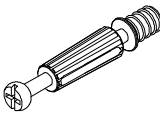
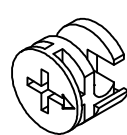
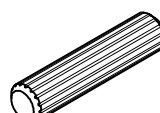

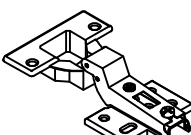



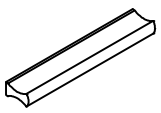

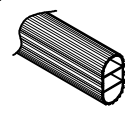
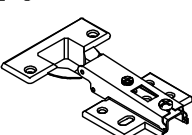
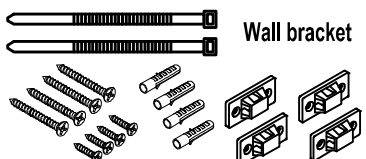
IMPORTANT - Please Check If You Have All The Components and Tools.
Note: The quantities below are the correct amount to complete the assembly.
In some cases more pieces may be supplied than are required.



Components and Tools

IMPORTANT - Please Check If You Have All The Components and Tools.

Note: The quantities below are the correct amount to complete the assembly. In some cases more pieces may be supplied than are required.

<p>A=44</p>  <p>Peg M6*34mm</p>	<p>B=44</p>  <p>Lock M15*12mm</p>	<p>C=44</p>  <p>Dowel M6*30mm</p>	<p>D=58</p>  <p>Screw M3.5*14mm</p>	<p>E=3</p>  <p>Half Overlay</p>	<p>F=8</p>  <p>Plastic Feet</p>
<p>G=30</p>  <p>Pin</p>	<p>H=6</p>  <p>Screw M4*18</p>	<p>I=3</p>  <p>Handle L96mm</p>	<p>J=2</p>  <p>Clothes Holder</p>	<p>K=1</p>  <p>Clothes Bar 766mm</p>	<p>L=6</p>  <p>Full Overlay</p>
<p>P=1</p>  <p>Wall bracket</p>					

1OF3 ②, ③, ④, ⑪X3, ⑬.

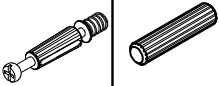
2OF3 ⑩X2, ⑫.

3OF3 ①, ⑤, ⑥, ⑦X2, ⑧, ⑨X4, FITTING KIT.

Assembly Instruction

Step 1

A=19 C=4

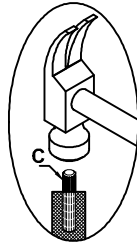
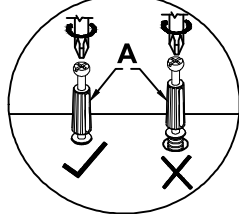
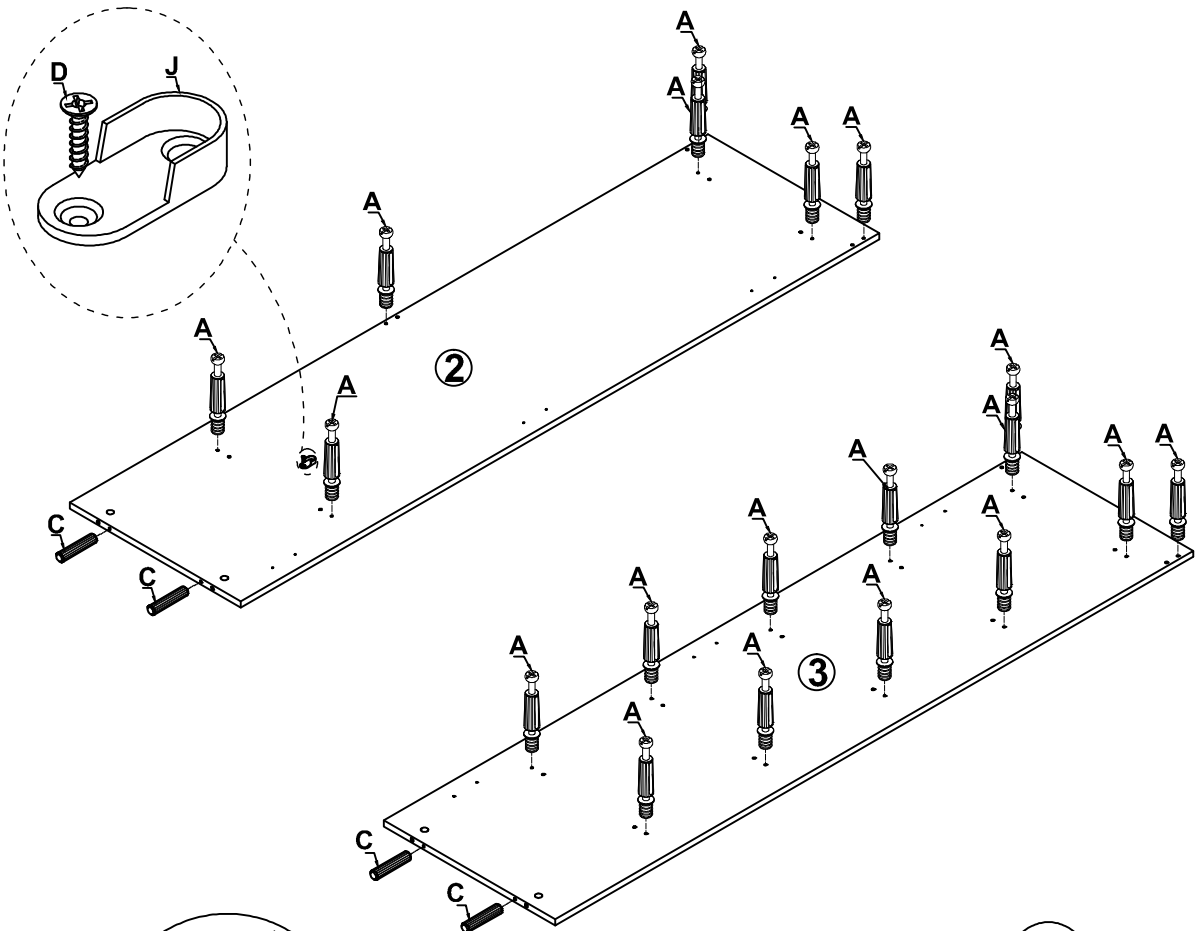


Peg Dowel

D=2 J=1

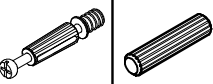


Screw Clothes Holder



Step 2

A=11 C=4

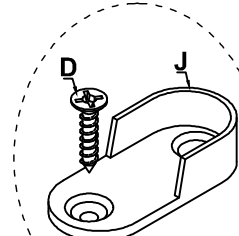
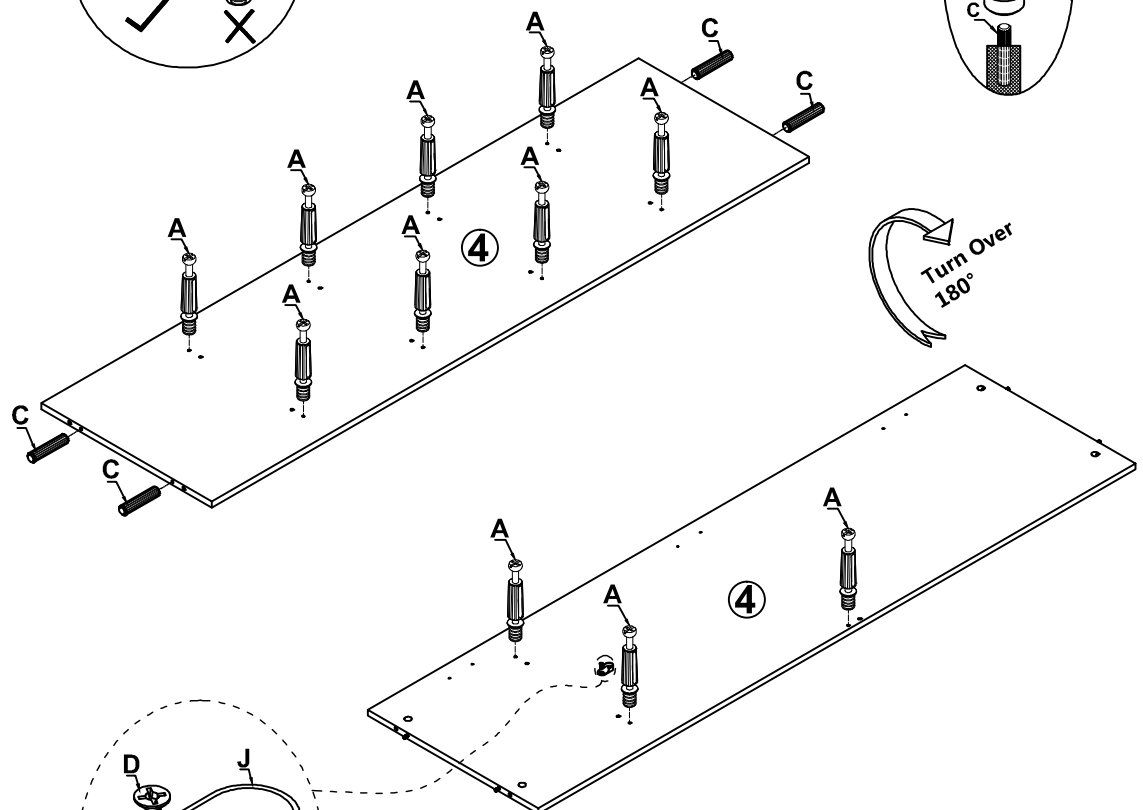


Peg Dowel

D=2 J=1



Screw Clothes Holder

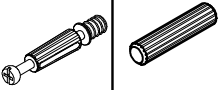


Assembly Instruction

Step 3

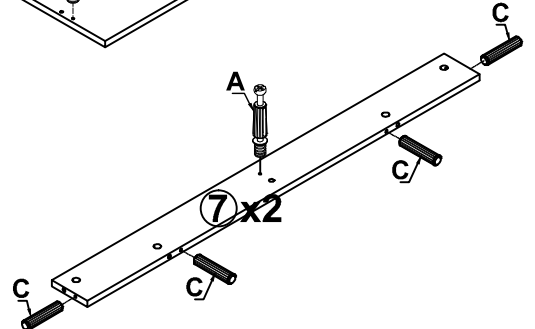
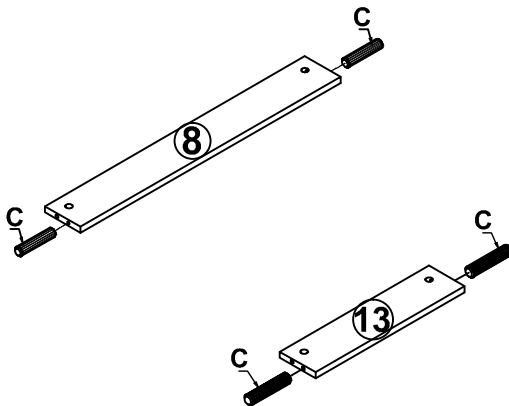
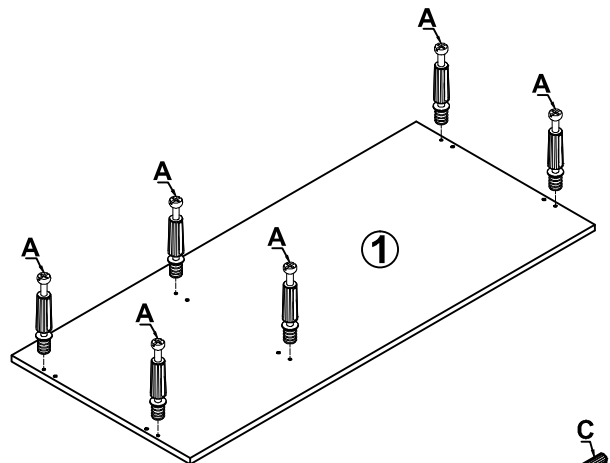
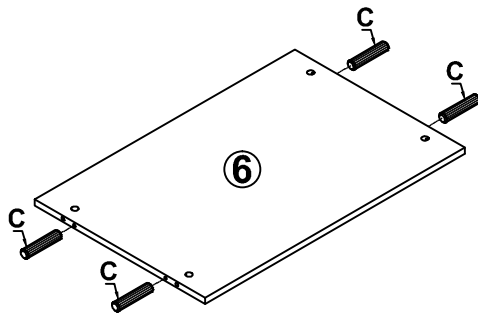
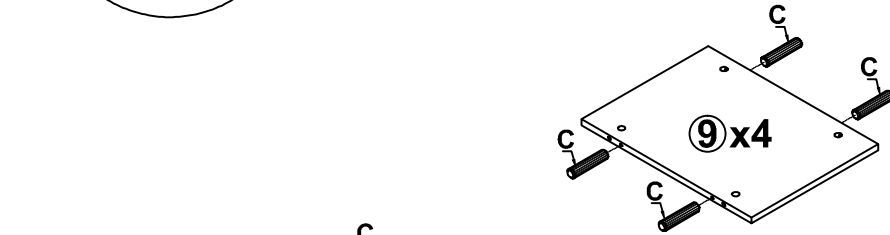
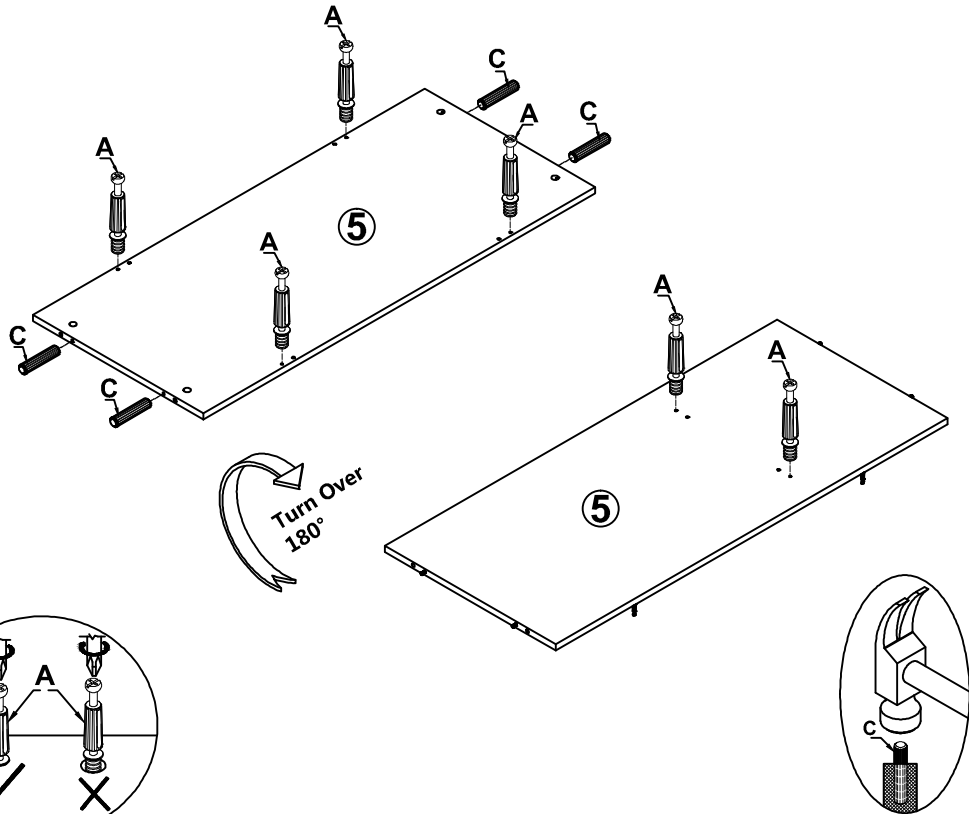
A=6

C=4



Peg

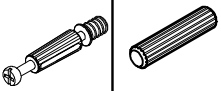
Dowel



Step 4

A=8

C=32



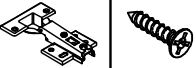
Peg

Dowel

Assembly Instruction

Step 5

L=6 D=18

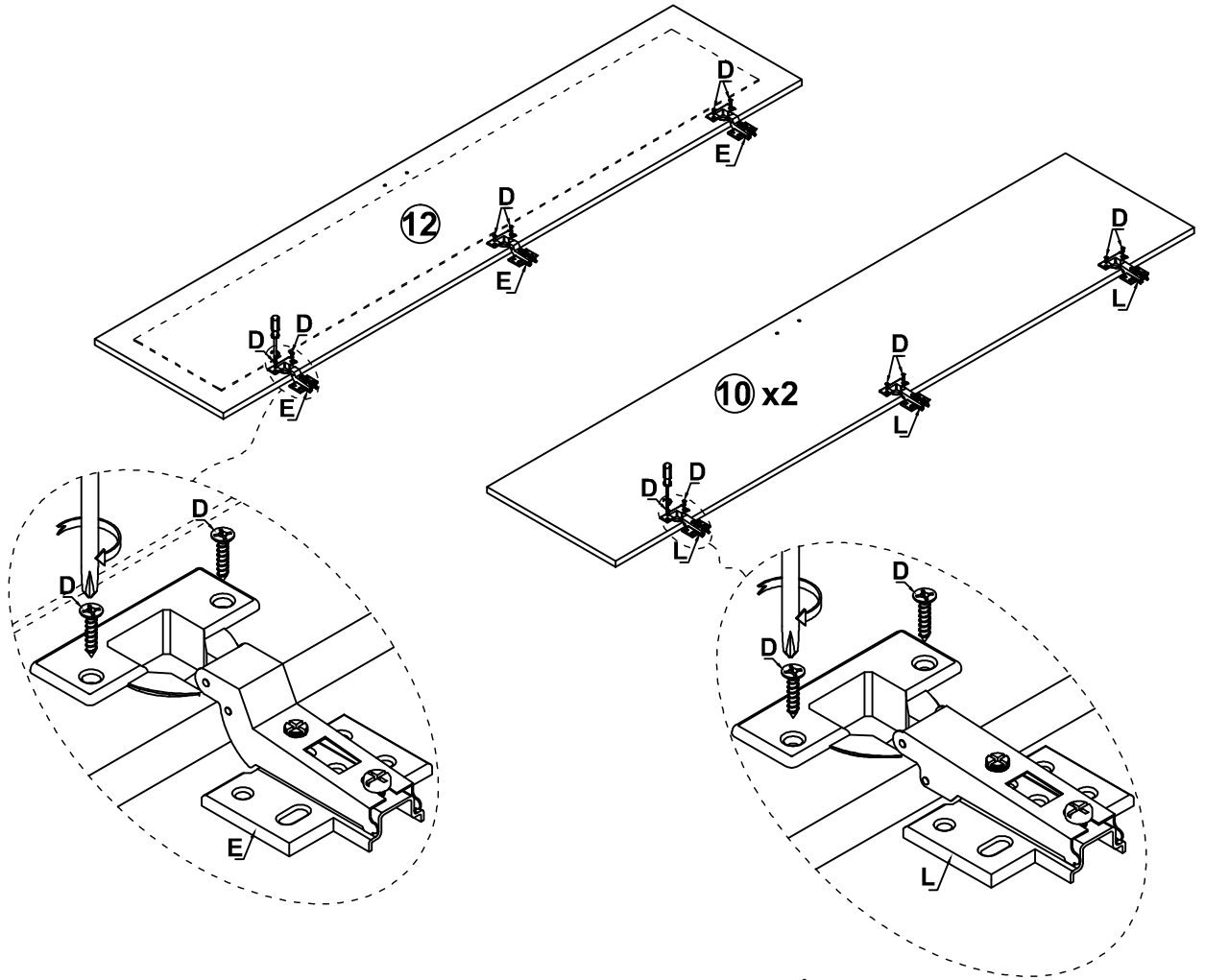


Full Overlay Screw

E=3



Half Overlay

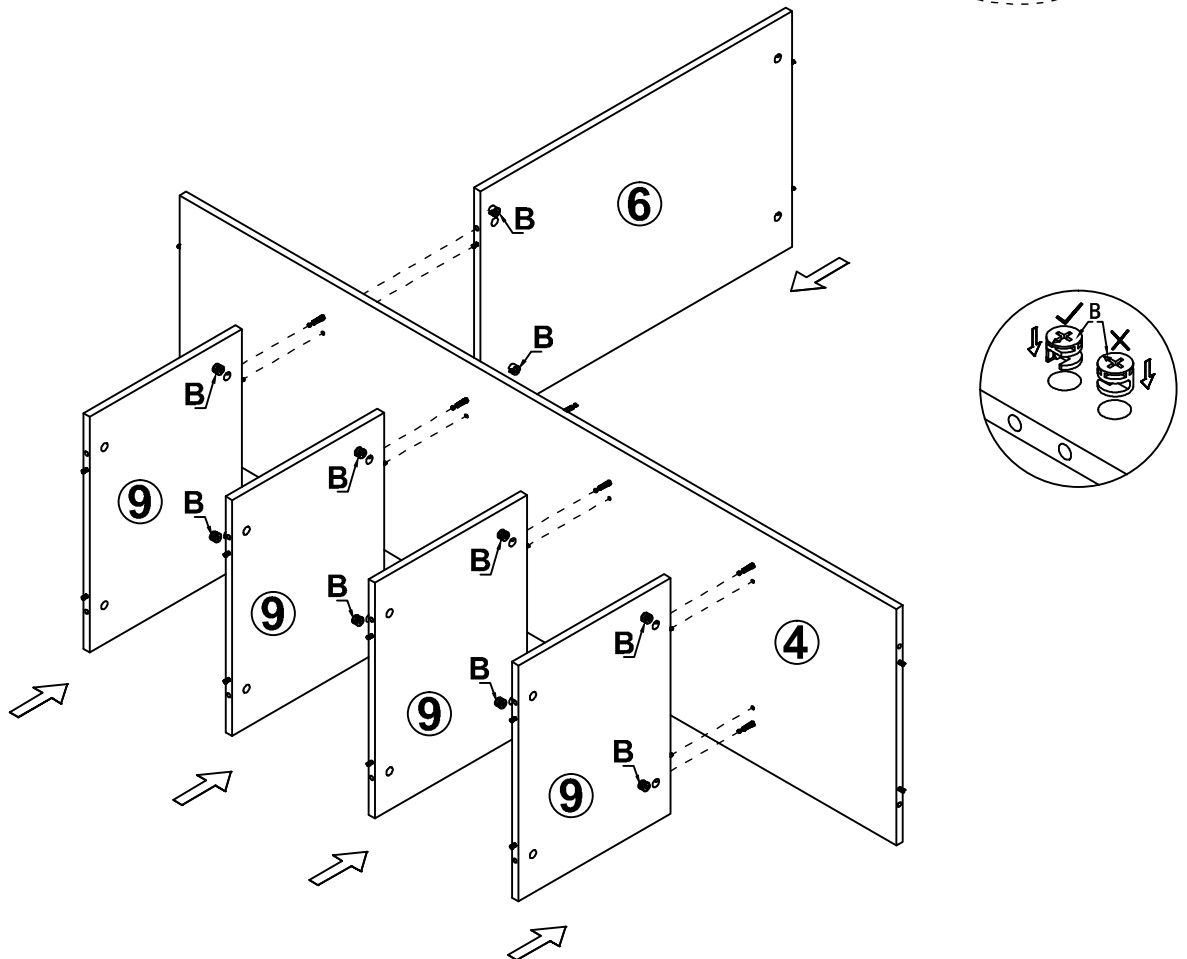


Step 6

B=10



Lock



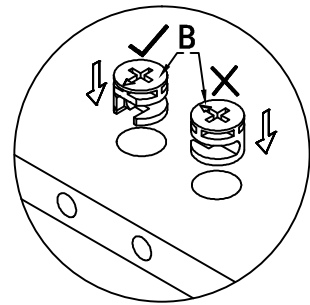
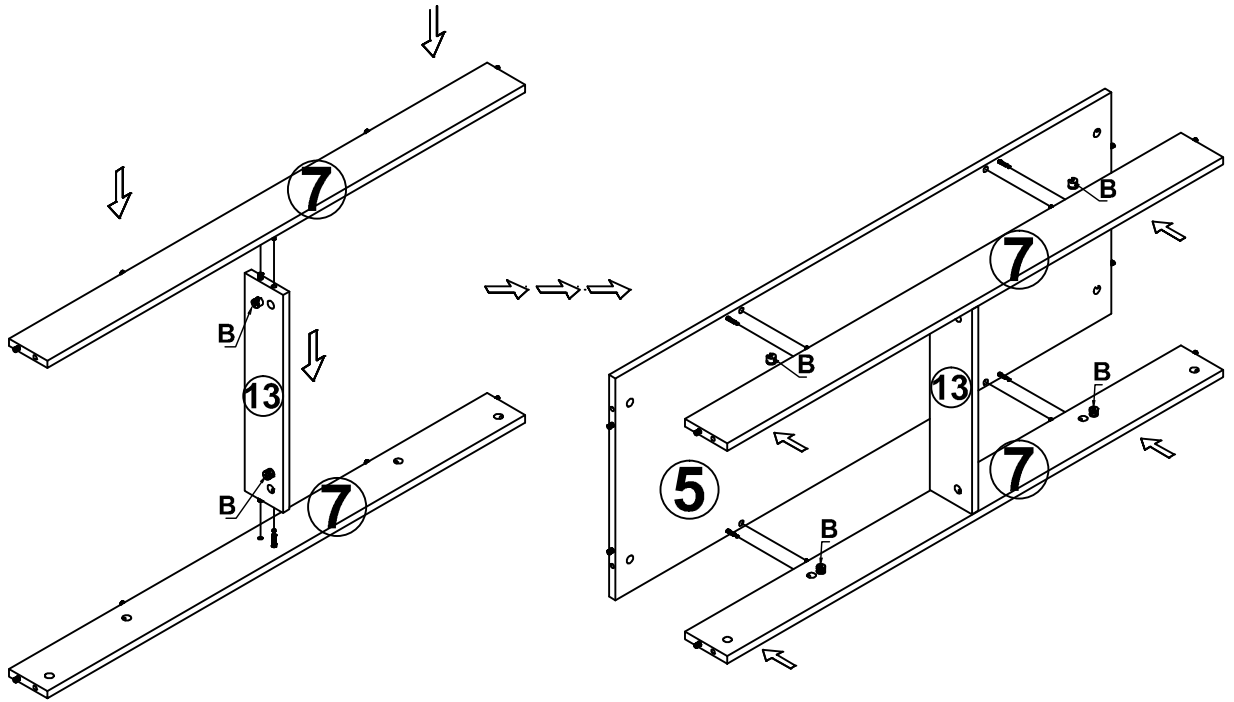
Assembly Instruction

Step 7

B=6



Lock

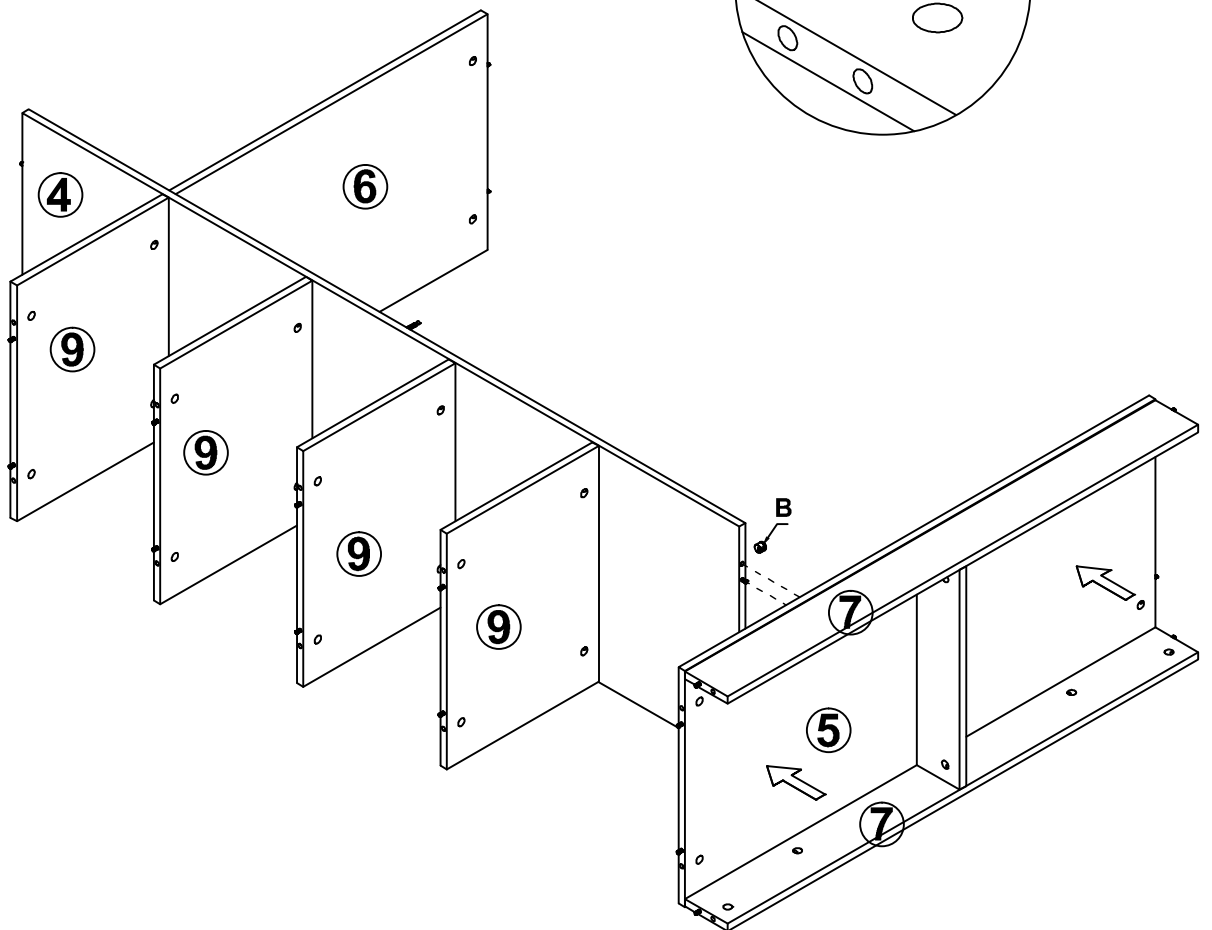


Step 8

B=2



Lock



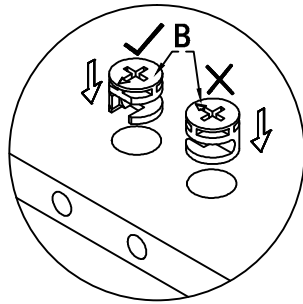
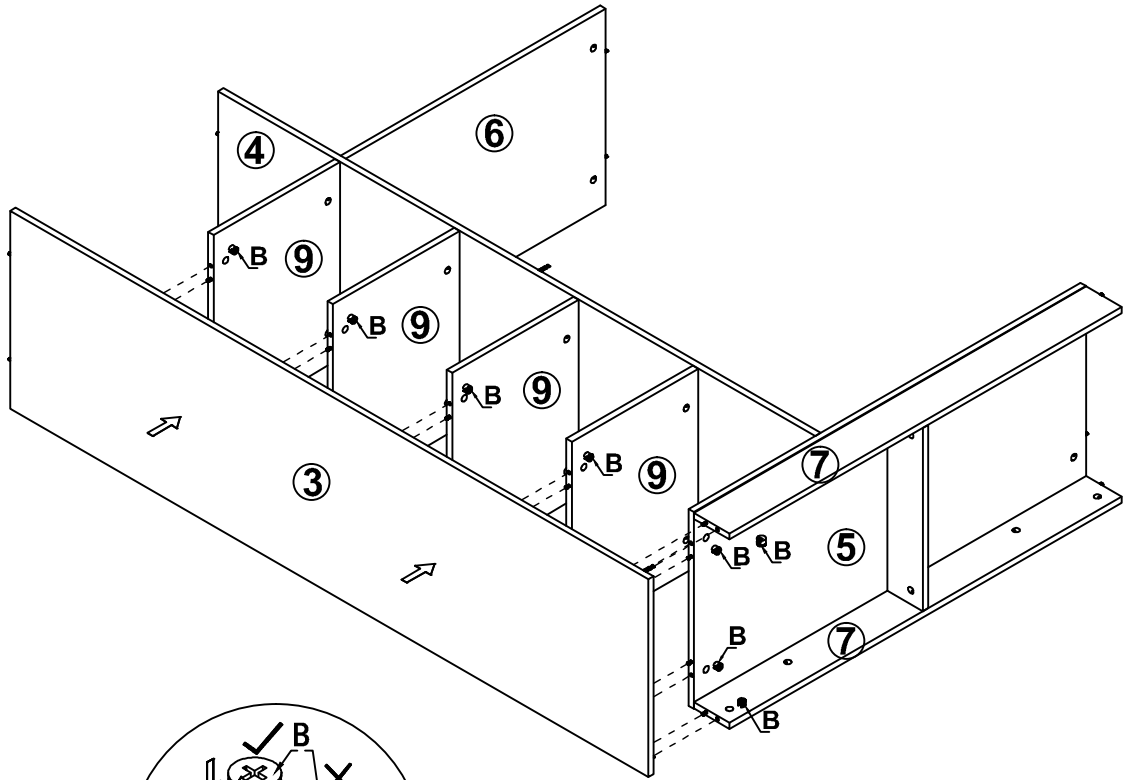
Assembly Instruction

Step 9

B=12



Lock

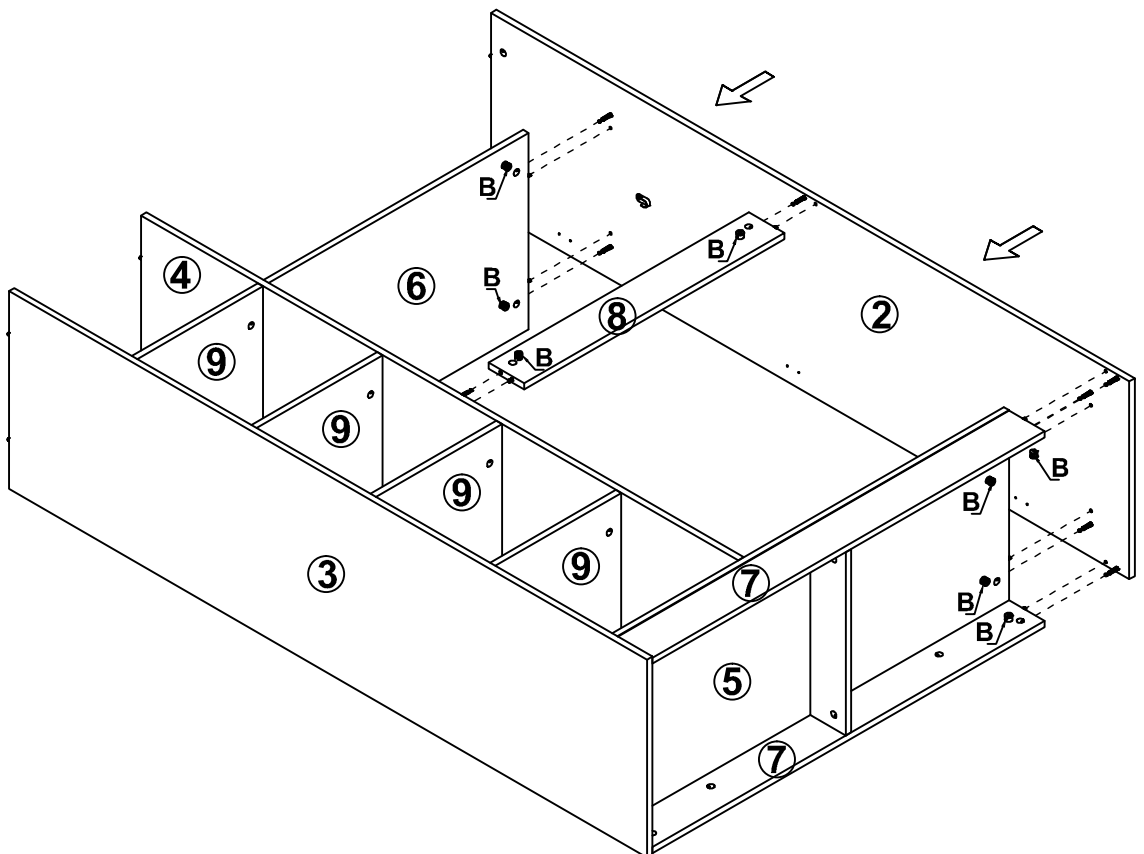


Step 10

B=8



Lock



Assembly Instruction

Step 11

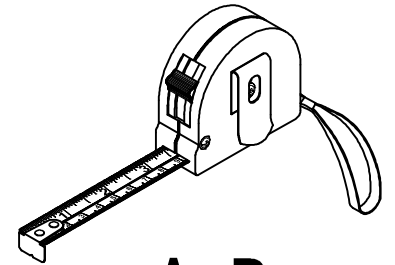
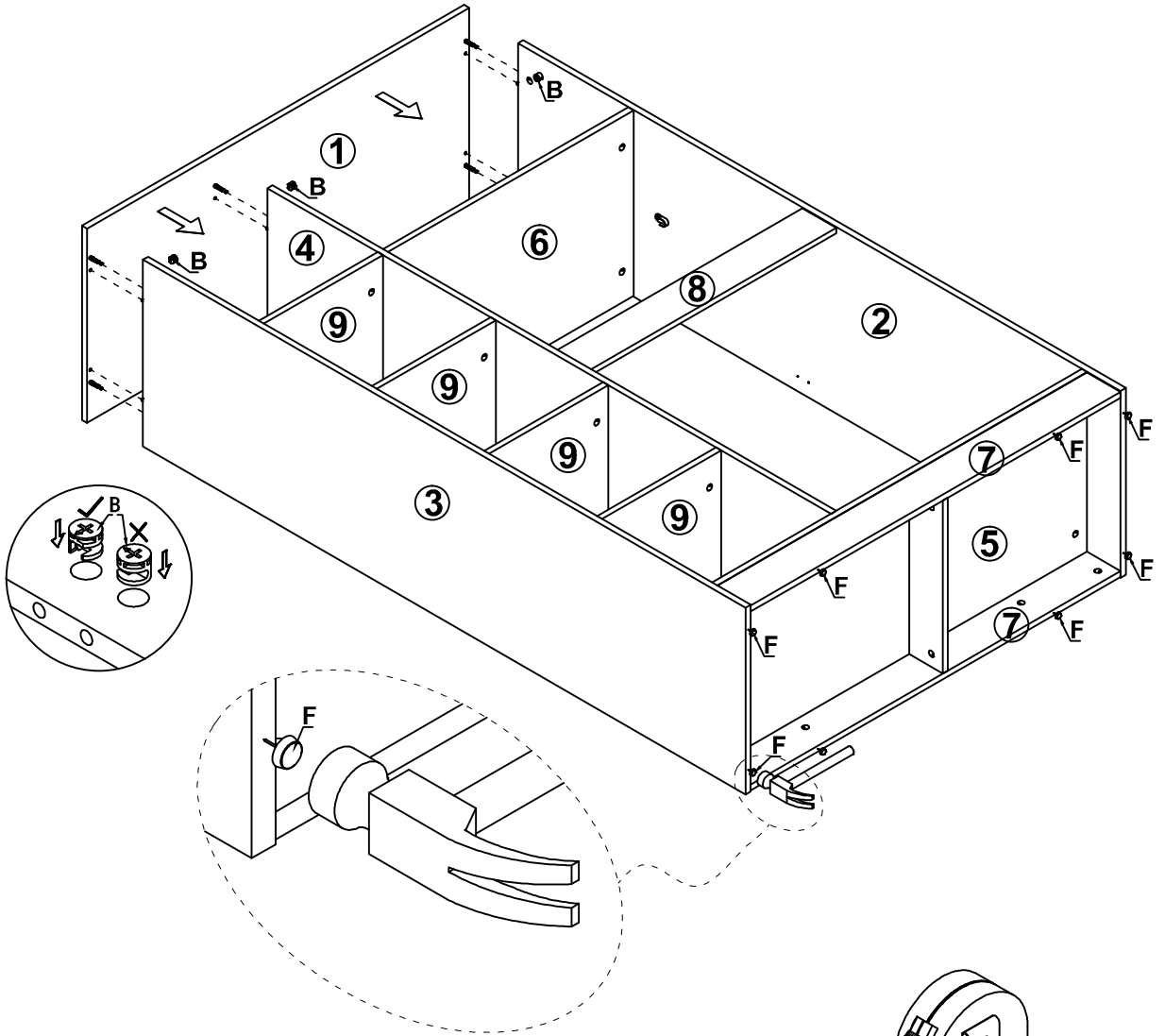
B=6

F=8



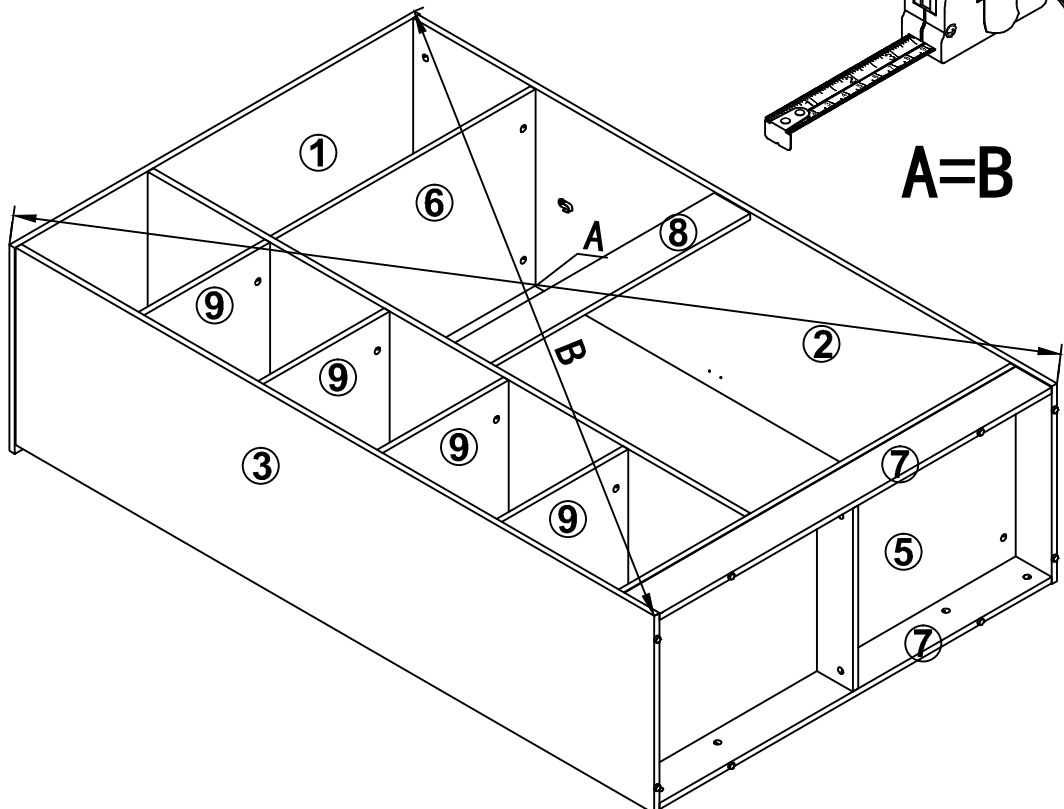
Lock

Plastic Feet



$A=B$

Step 12



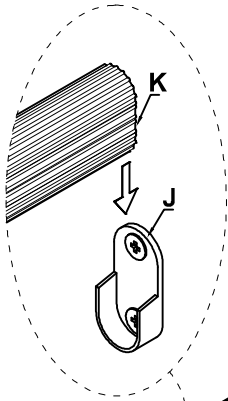
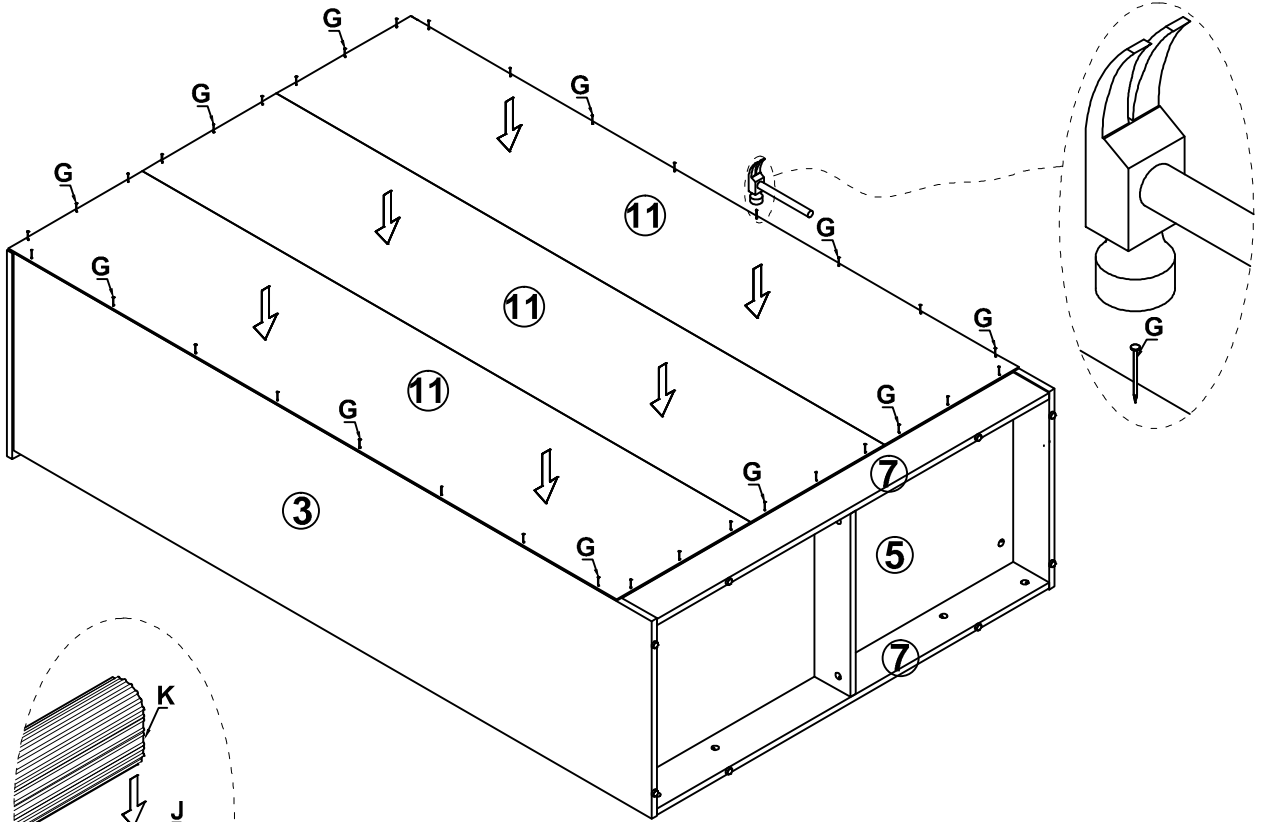
Assembly Instruction

Step 13

G=34



Pin



Step 14

D=12

H=4

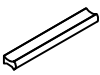


Screw
M3.5*14

Screw
M4*18

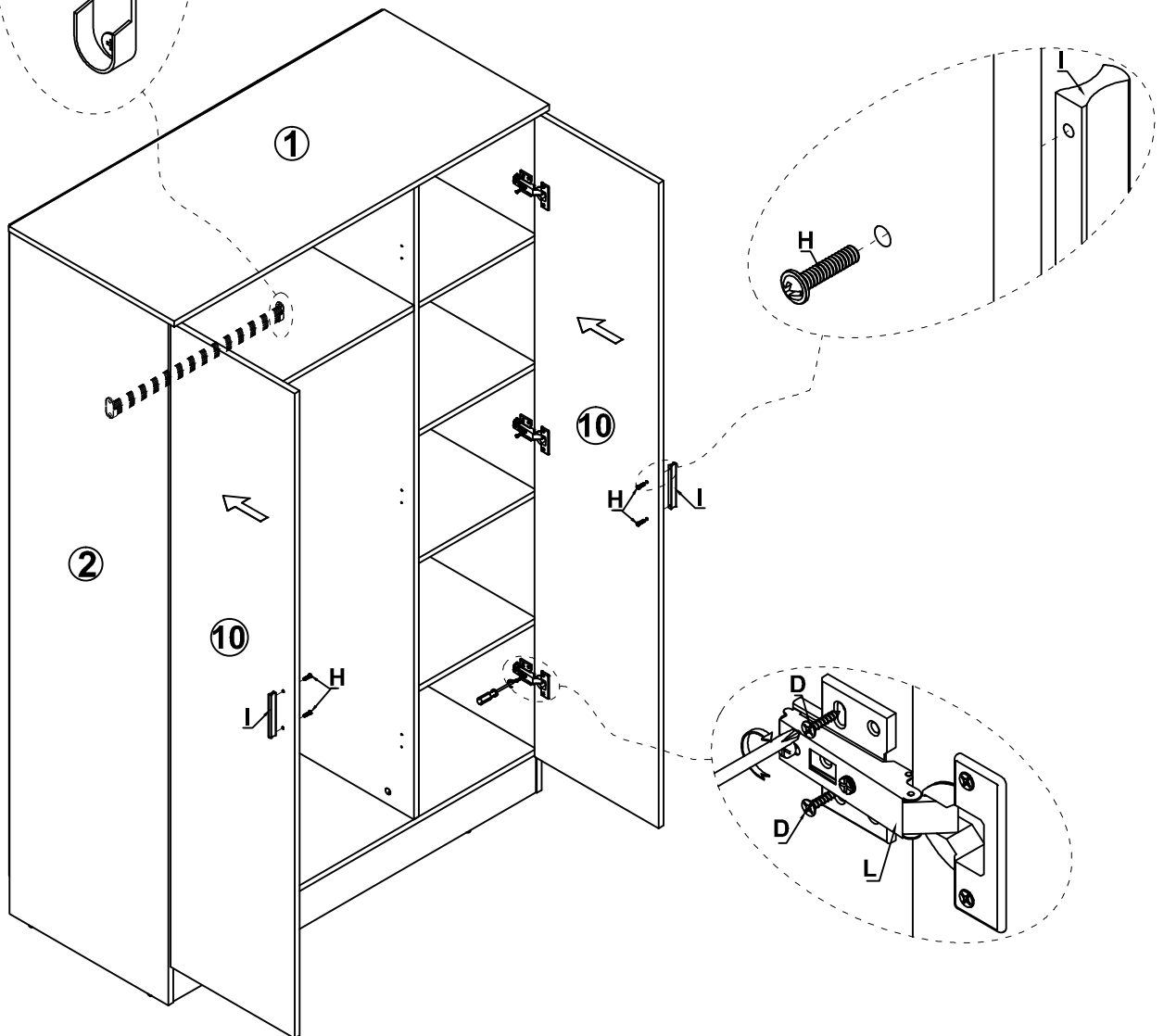
I=2

K=1



Handles
L96mm

Clothes
Bar



Assembly Instruction

Step 15

D=6

H=2



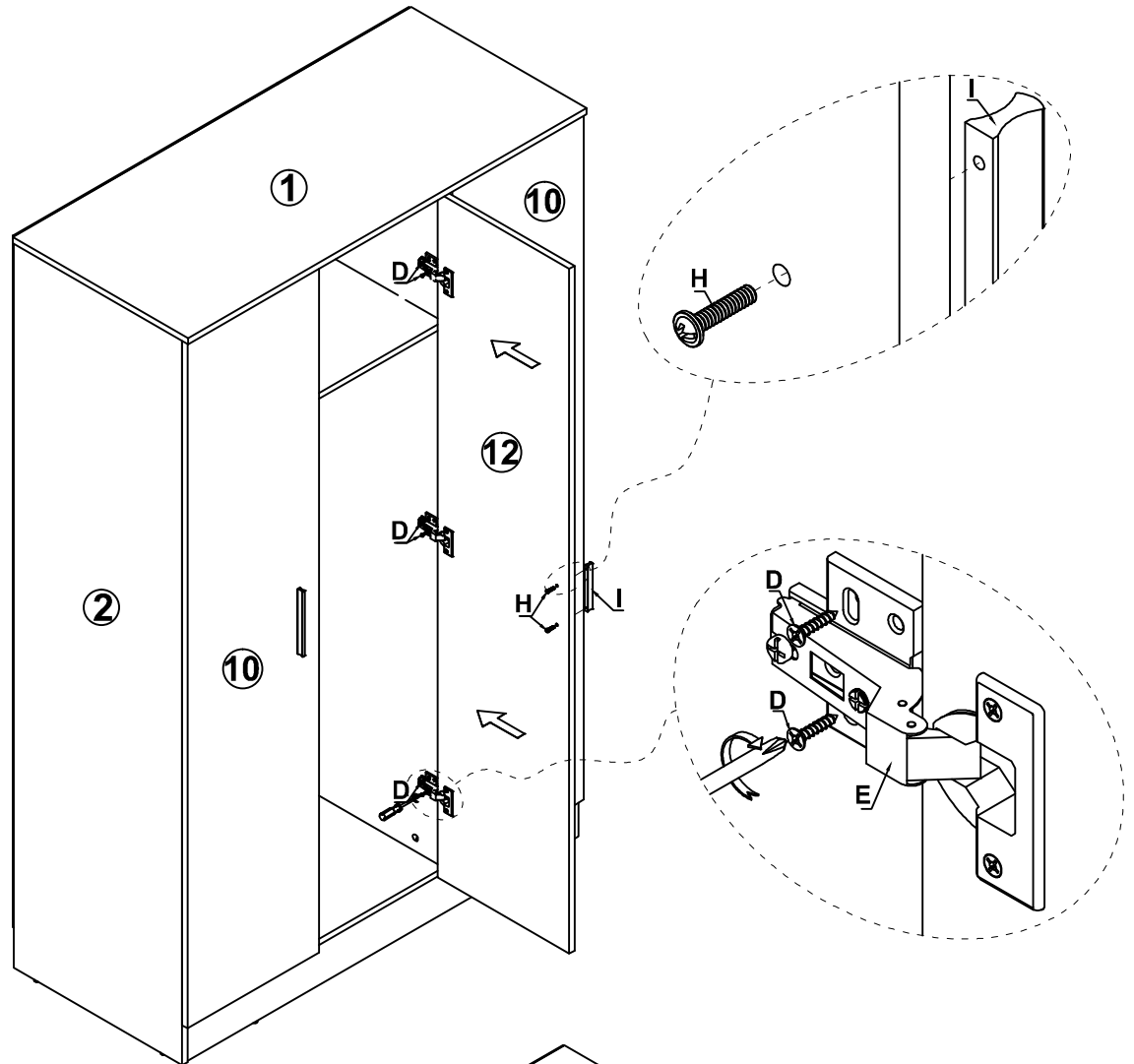
Screw
M3.5*14

Screw
M4*18

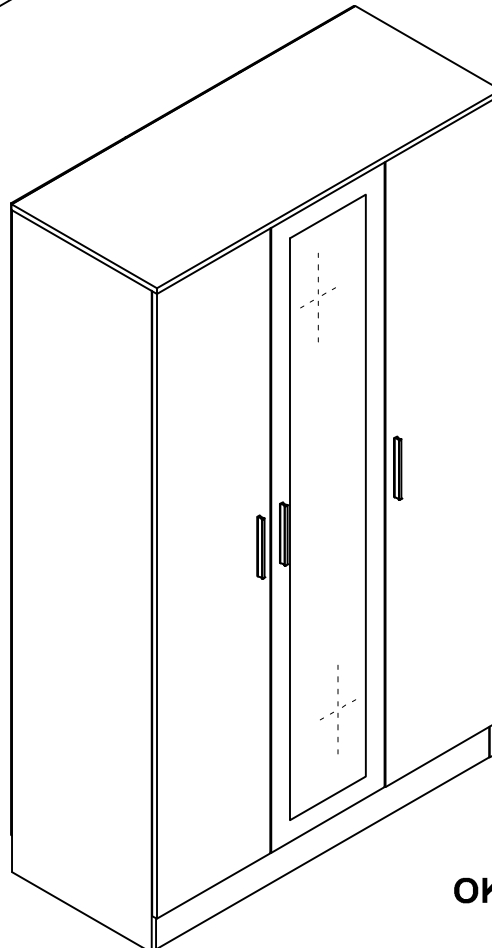
I=1



Handles
L96mm



Step 16



OK

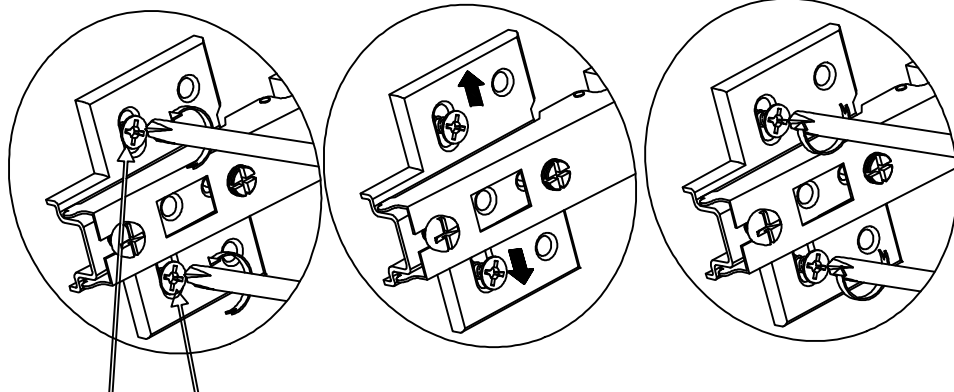
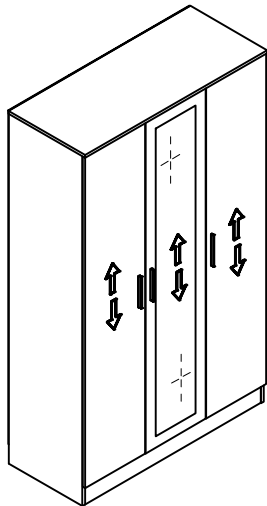
STEP 17



Customer Attention:

To align doors and control gap in between doors.
Product doors may need adjusting during
and after assembly.

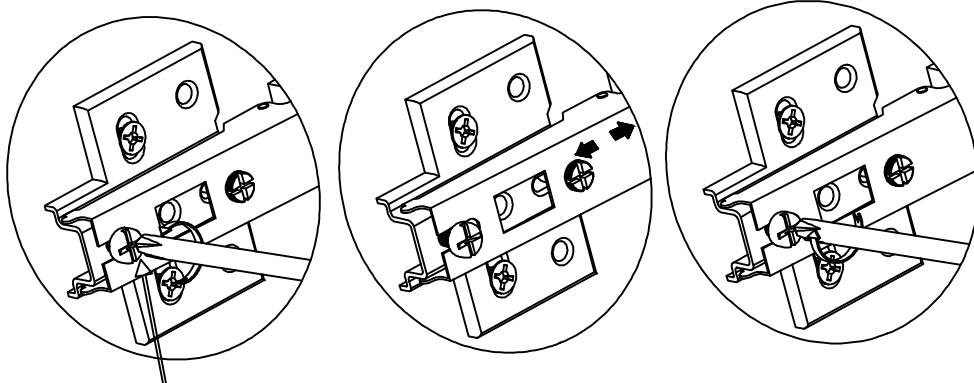
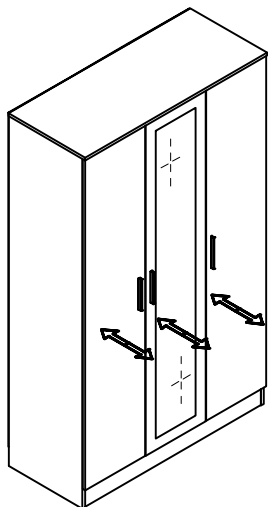
This can be done by adjusting appropriate screws.
See below illustration.



Vertical door adjustment:

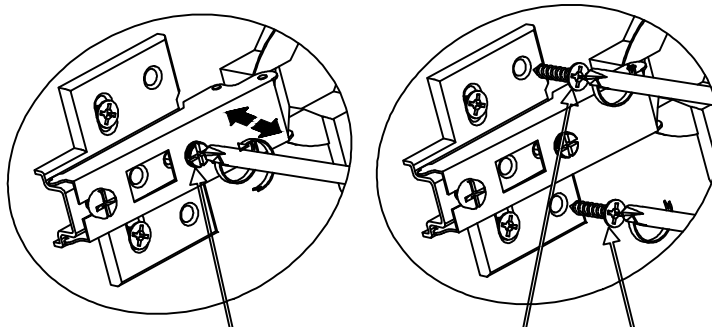
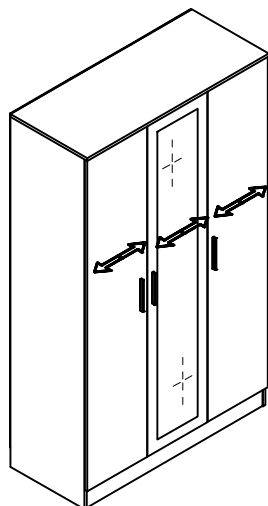
Loosen both screws on all hinges and lift the
door to the desired height.

This allows an even space at the top and
bottom between the door and frame



Lateral Door Adjustment:

If door is hinge bound, (rubbing on frame as you
close or open door) loosening screw shown and
move the door in appropriate direction. (In or out)



D  18PCS

Horizontal Door Adjustment:

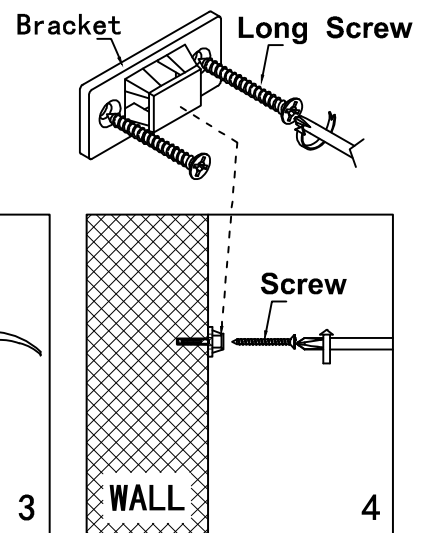
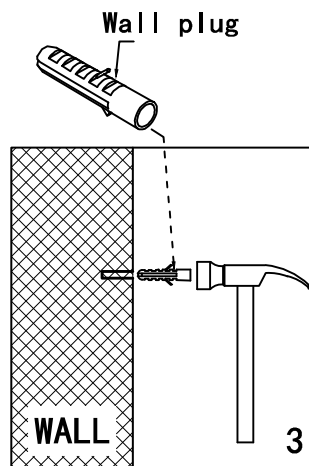
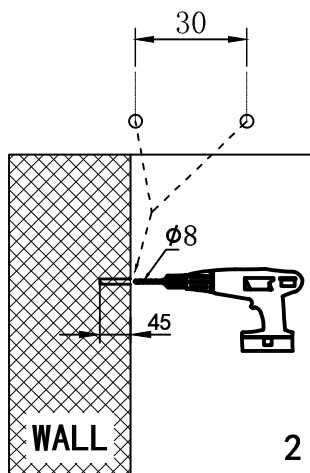
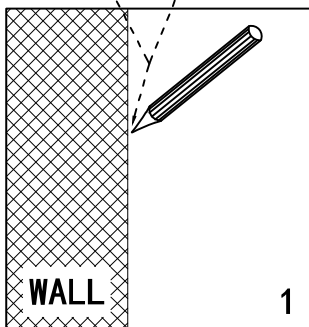
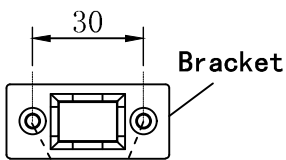
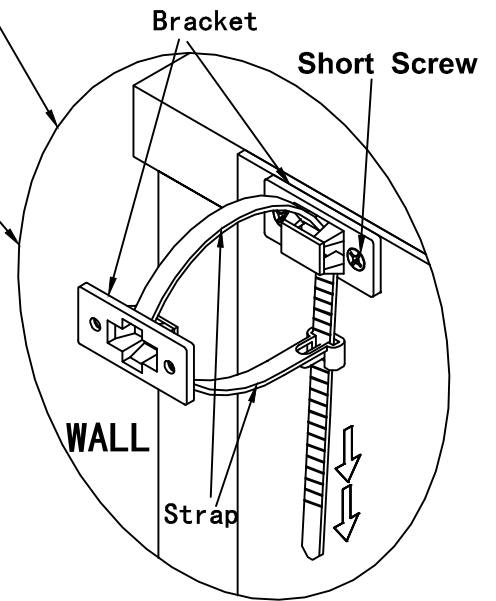
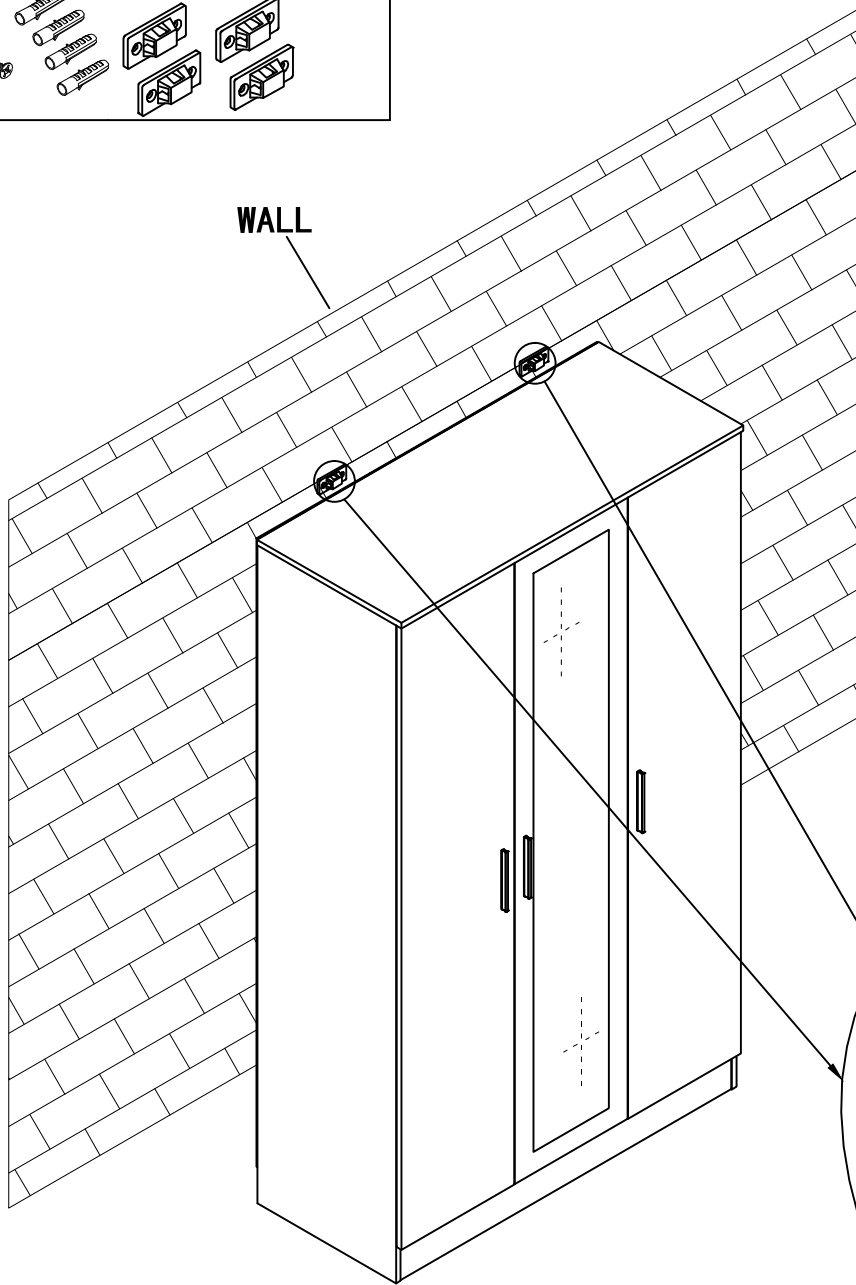
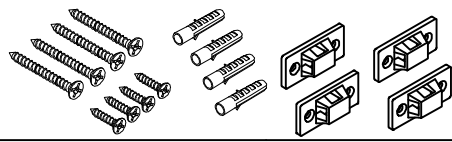
Rotate Screw clock wise or anti clockwise. This
will produce an even gap between doors and frame.

after adjusting, you find the doors are in alignment,
you can fasten that hinge with 2 screws

P=1



Wall bracket



spacegeneral.co.nz

Great job. You're done!

**Don 't forget to share how it looks in
your space and tag us on Instagram
@spacegeneralnz**