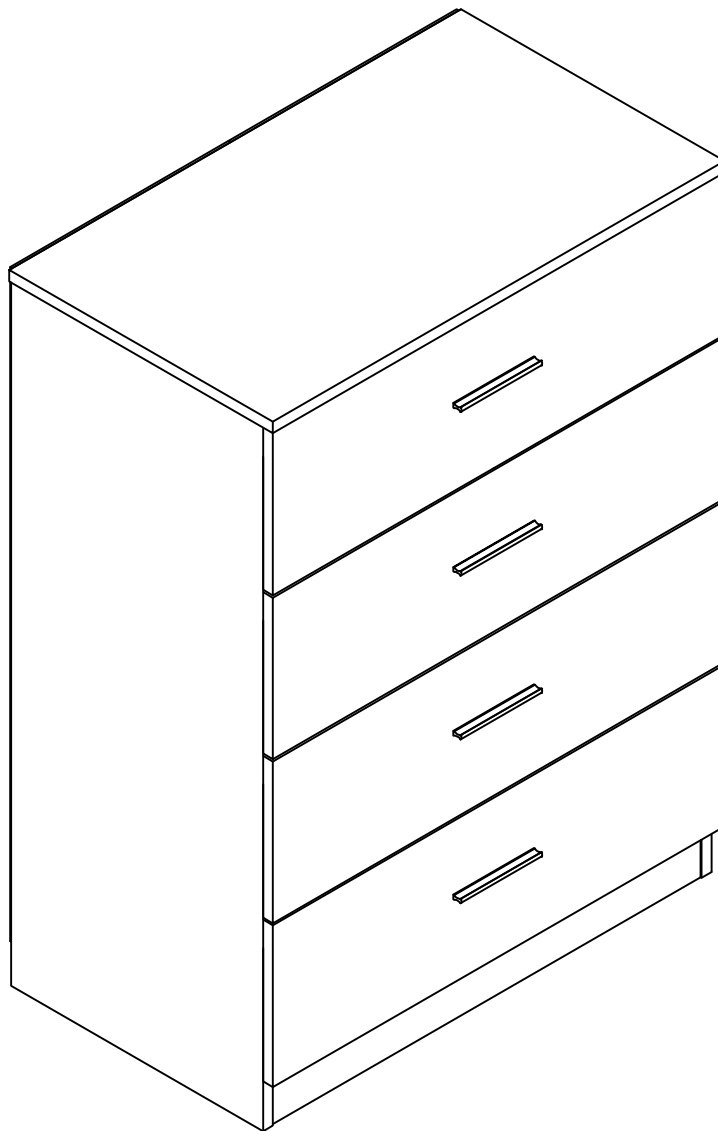


4 DRAWER CHEST

Assembly Instructions - Thank you for your purchase.
Please follow the instructions below for correct assembly.

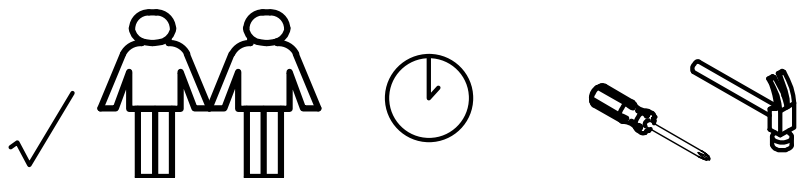


Space General

Safety and Care Advice

IMPORTANT - Please Read This Instruction Carefully Before Assembly.

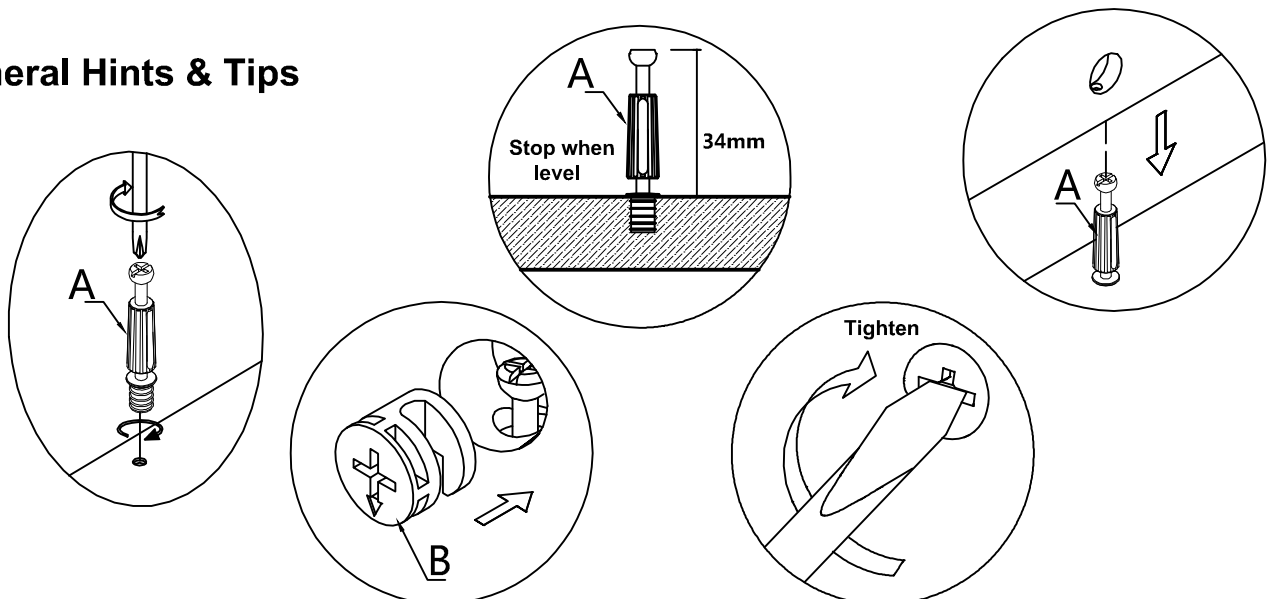
- Check you have all the components and tools listed on page 3.
- Do not stand or put weight on the product, this could cause damage.
- Do not use power drill/drivers for assembly, or the unit may be damaged.
- Remove all settings from the plastic bags and separate them into their groups.
- Assemble the item as close to it's intended position (in the same room) as possible.
- Assemble on a soft level surface to avoid damaging the unit.
- Dispose of all packaging carefully and responsibly.
- Keep children and animals away from the work area, small parts could choke if swallowed.
- Assemble on a soft level surface to avoid damaging the unit.
- Parts of the assembly will be easier with 2 people.
- Make sure you have enough space to layout the parts before assembly.



CARE and MAINTENANCE

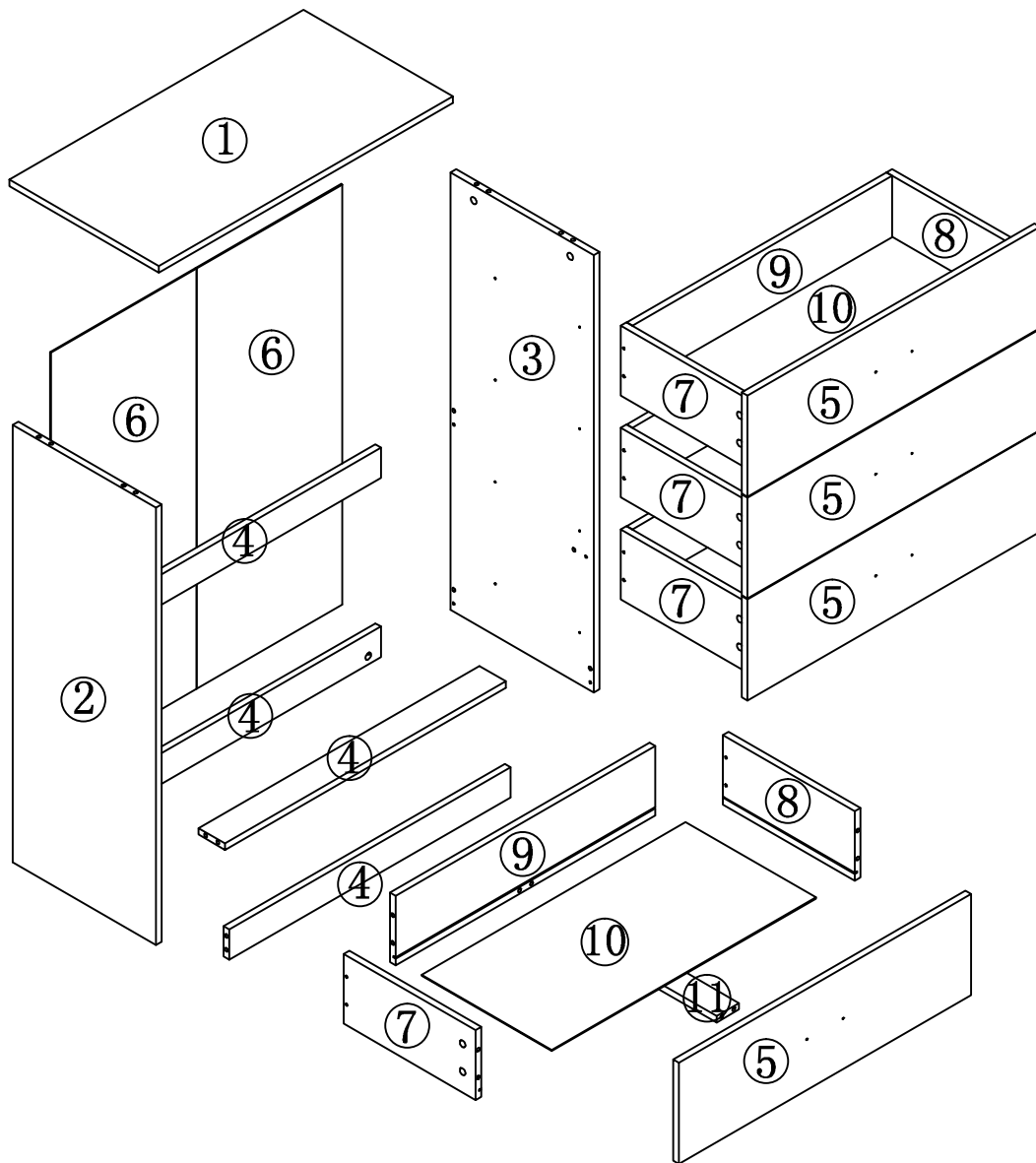
- Only clean using a damp cloth and mild detergent, do not use bleach or abrasive cleaners.
- From time to time check that there are no loose screws on this unit.
- This product should not be discarded with household waste. Take to your local authority waste disposal center.

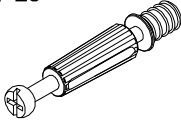
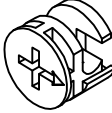
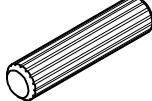
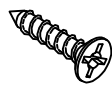
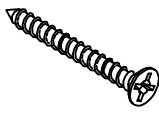



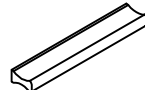

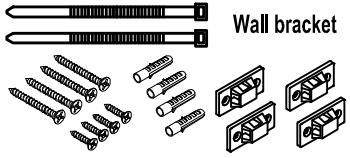
General Hints & Tips



Components and Tools

IMPORTANT - Please Check If You Have All The Components and Tools.
Note: The quantities below are the correct amount to complete the assembly. In some cases more pieces may be supplied than are required.



A=28  Peg M6*34mm	B=28  Lock M15*12mm	C=28  Dowel M6*30mm	D=32  Screw M3.5*14mm	E=16  Screw M4*38	F=4  Plastic Feet
G=16  Pin	H=8  Screw M4*18	I=4  Handle L96mm	CR CL DR DL=4  Drawer Runner	P=1  Wall bracket	

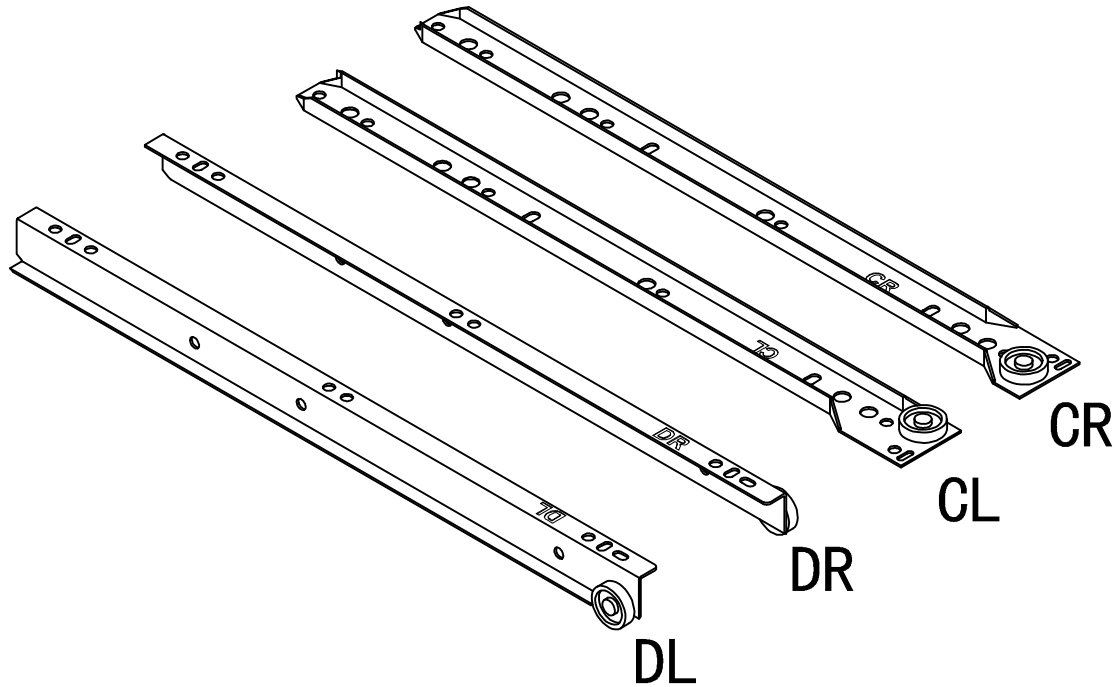
1OF2 ②, ③, ⑥X2, ⑦X4, ⑧X4, ⑩X4, ⑪X4. FITTING KIT.

2OF2 ①, ④X4, ⑤X4, ⑨X4,

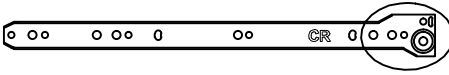
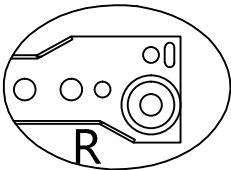
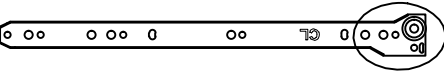
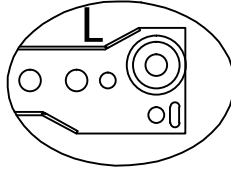

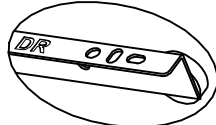
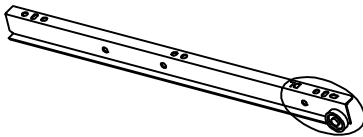
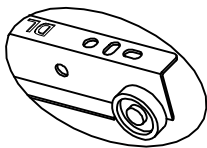
Drawer Runner Instruction

IMPORTANT - Please Read It Carefully.

NOTE: 1 PAIR DRAWER RUNNER INCLUDES 4 PIECES.



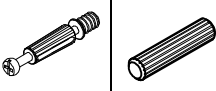
Fittings (not to scale)

NO.	DESCRIPTION	QTY		
CR	Outer Drawer Runner - Right	4PCS		
CL	Outer Drawer Runner - Left	4PCS		
DR	Inner Drawer Runner - Right	4PCS		
DL	Inner Drawer Runner - Left	4PCS		

Assembly Instruction

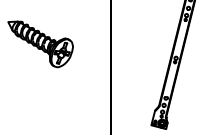
Step 1

A=4 C=2

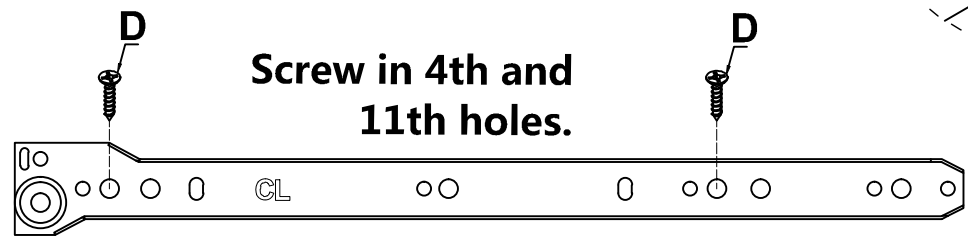
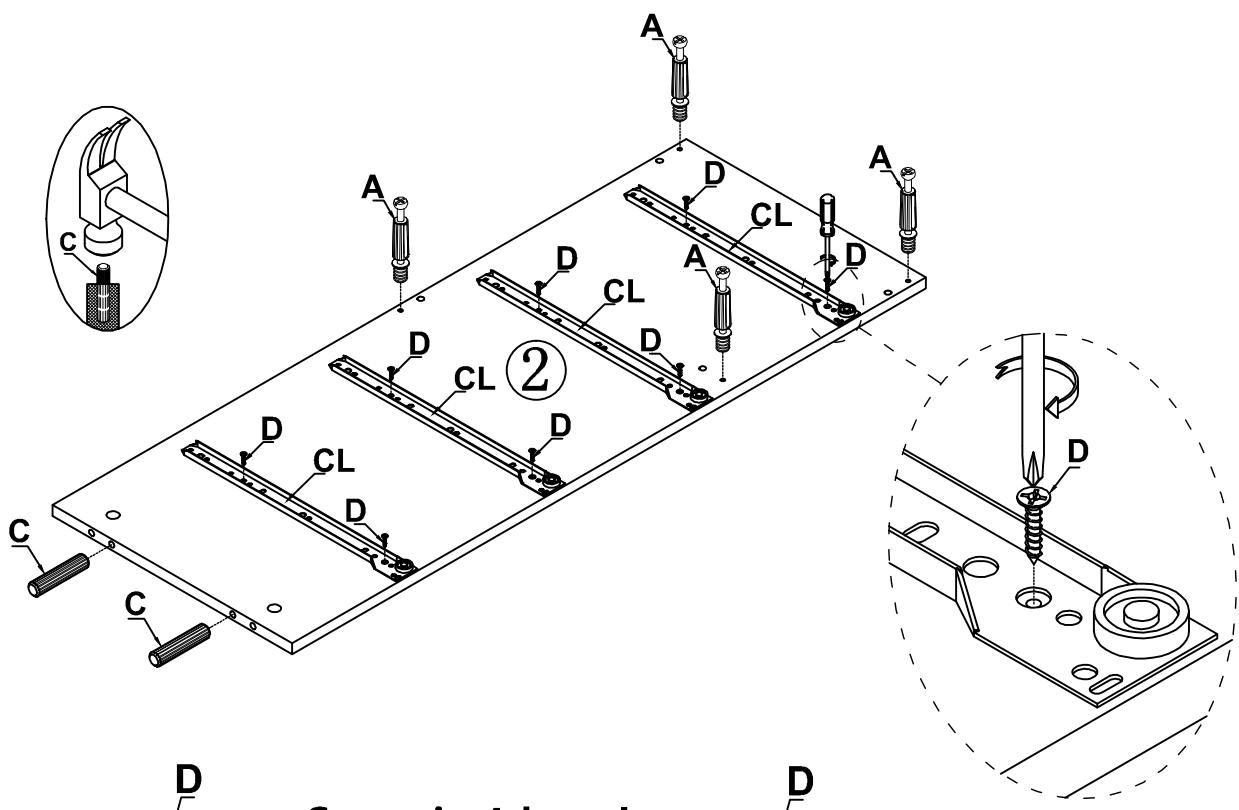


Peg Dowel

D=8 CL=4

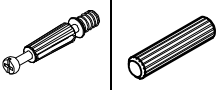


Screw Drawer Runner



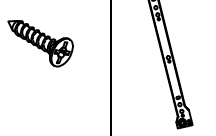
Step 2

A=4 C=2

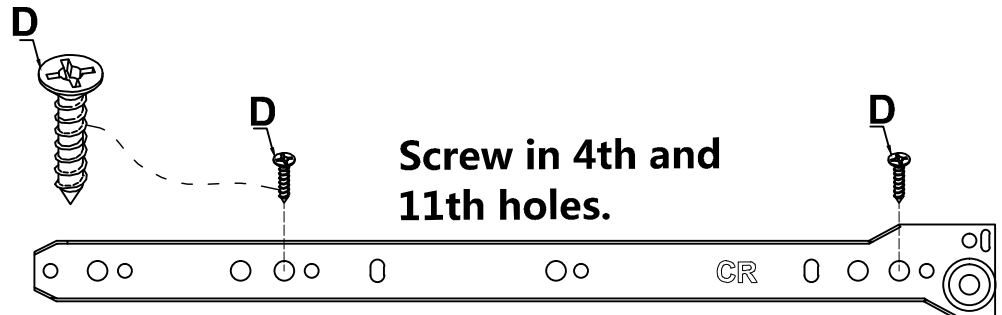
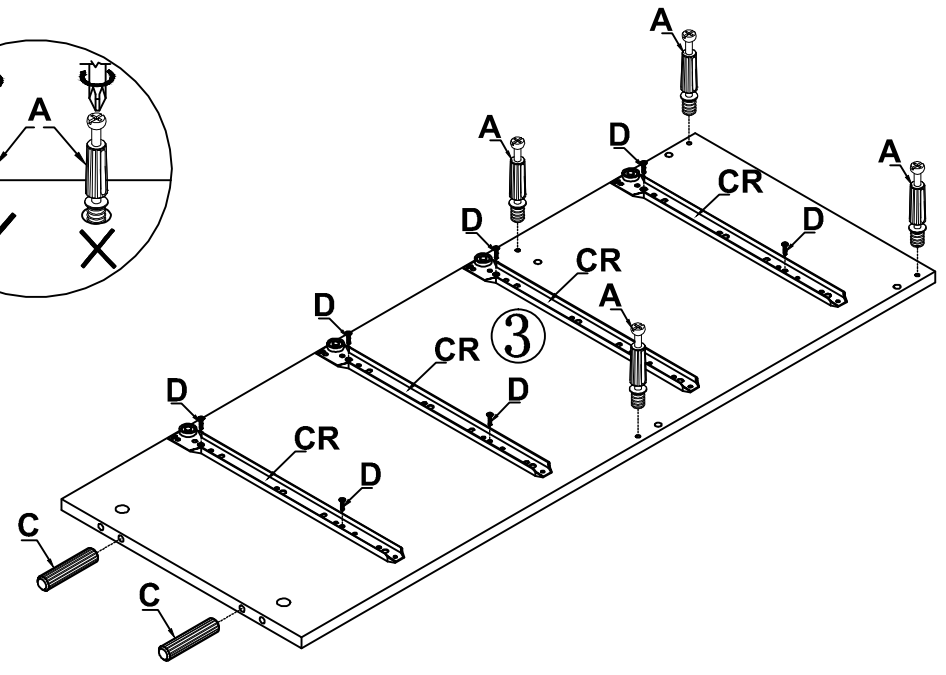
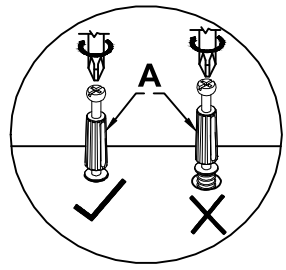


Peg Dowel

D=8 CR=4



Screw Drawer Runner

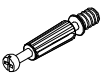


Assembly Instruction

Step 3

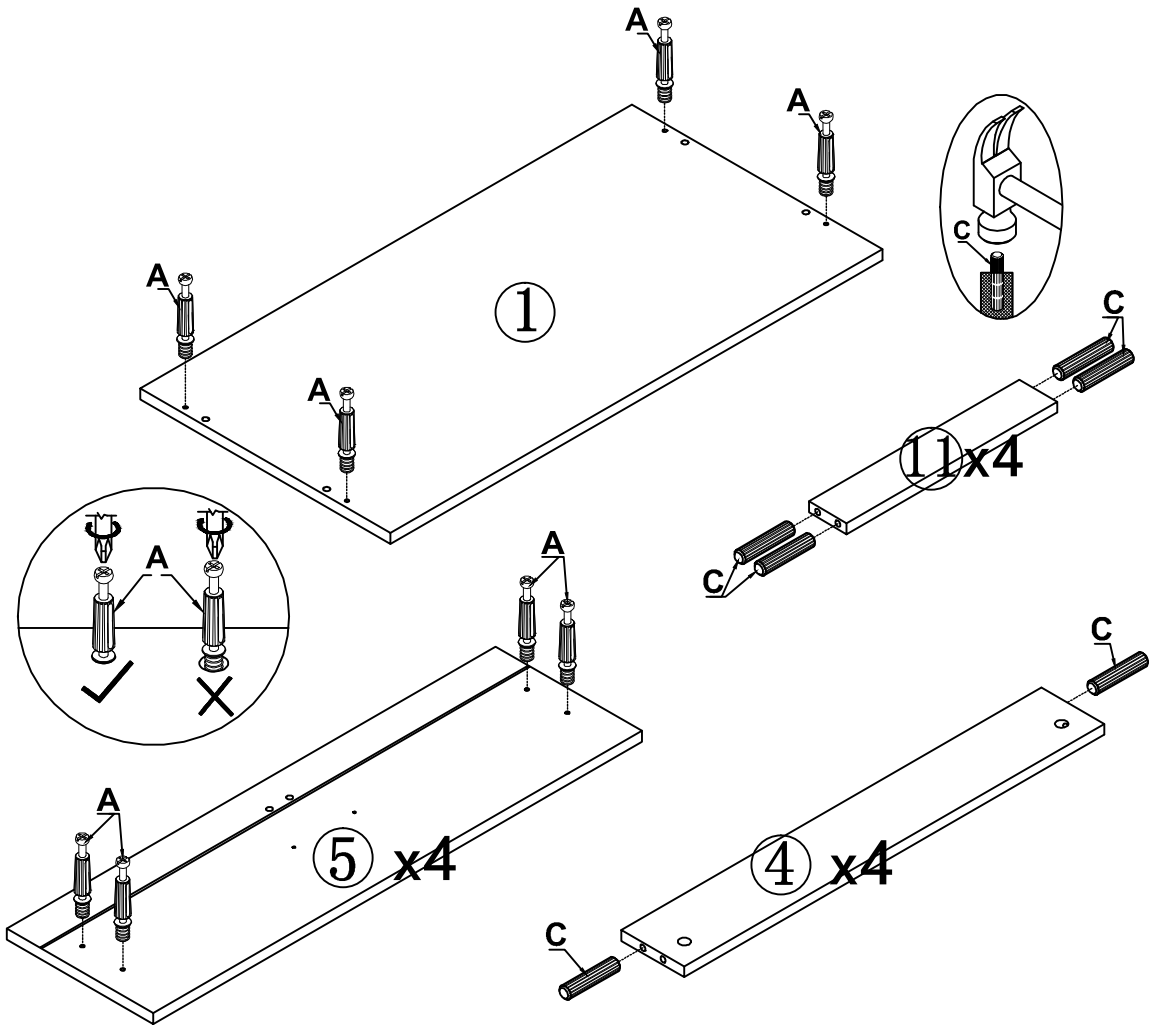
A=20

C=24



Peg

Dowel

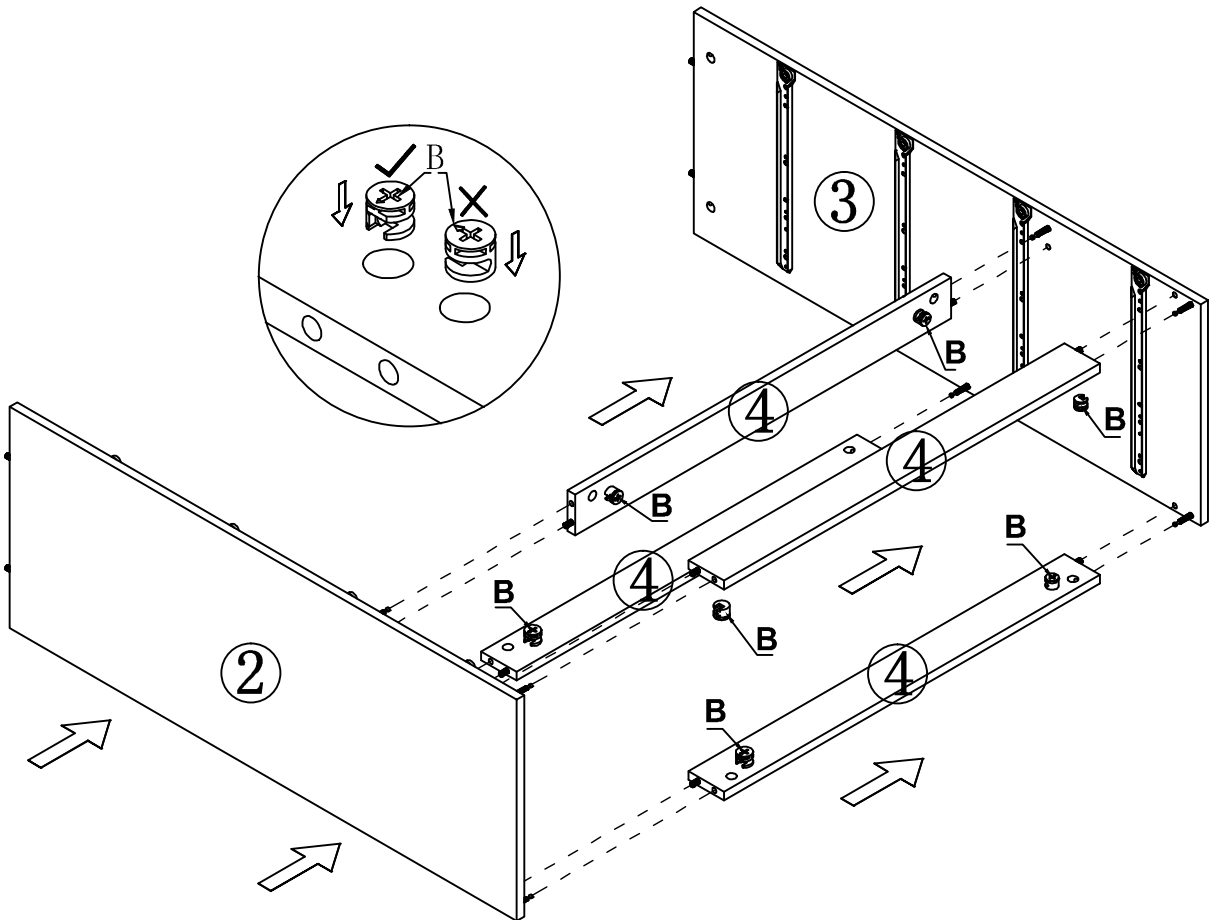


Step 4

B=8



Lock



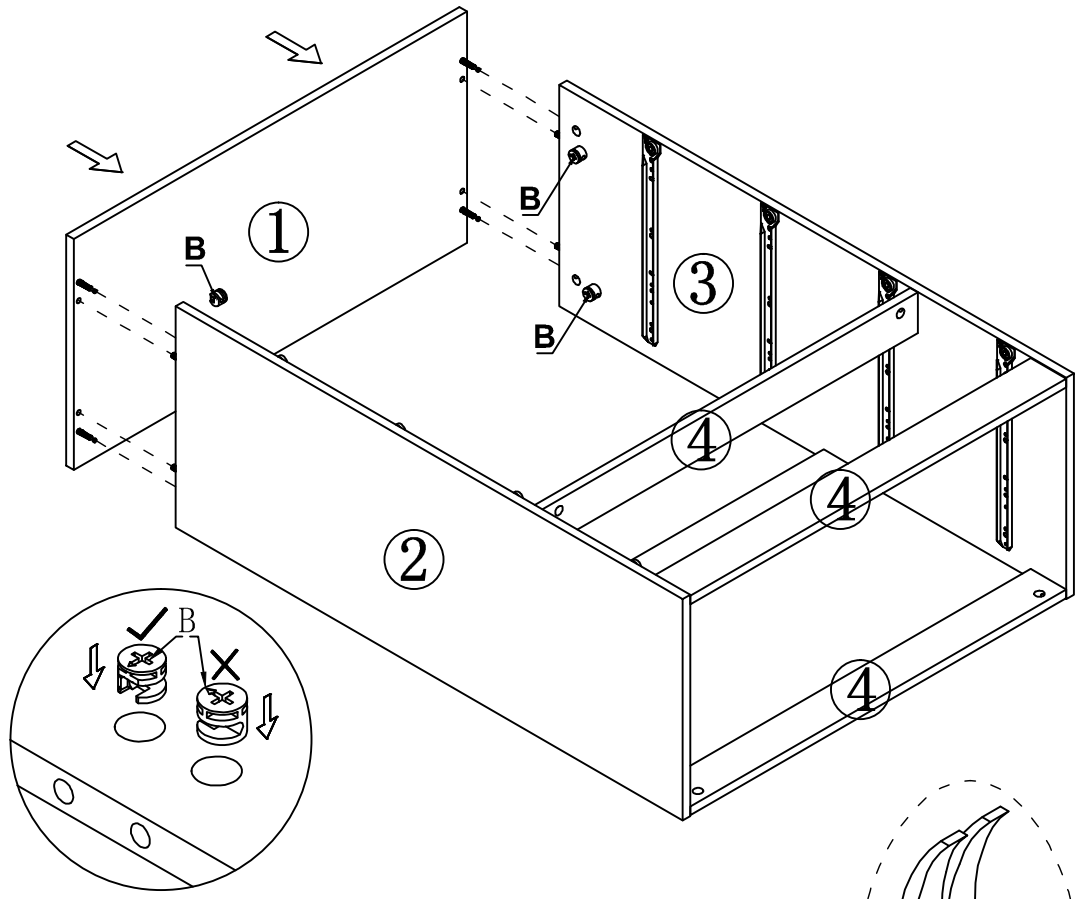
Assembly Instruction

Step 5

B=4



Lock



Step 6

G=16

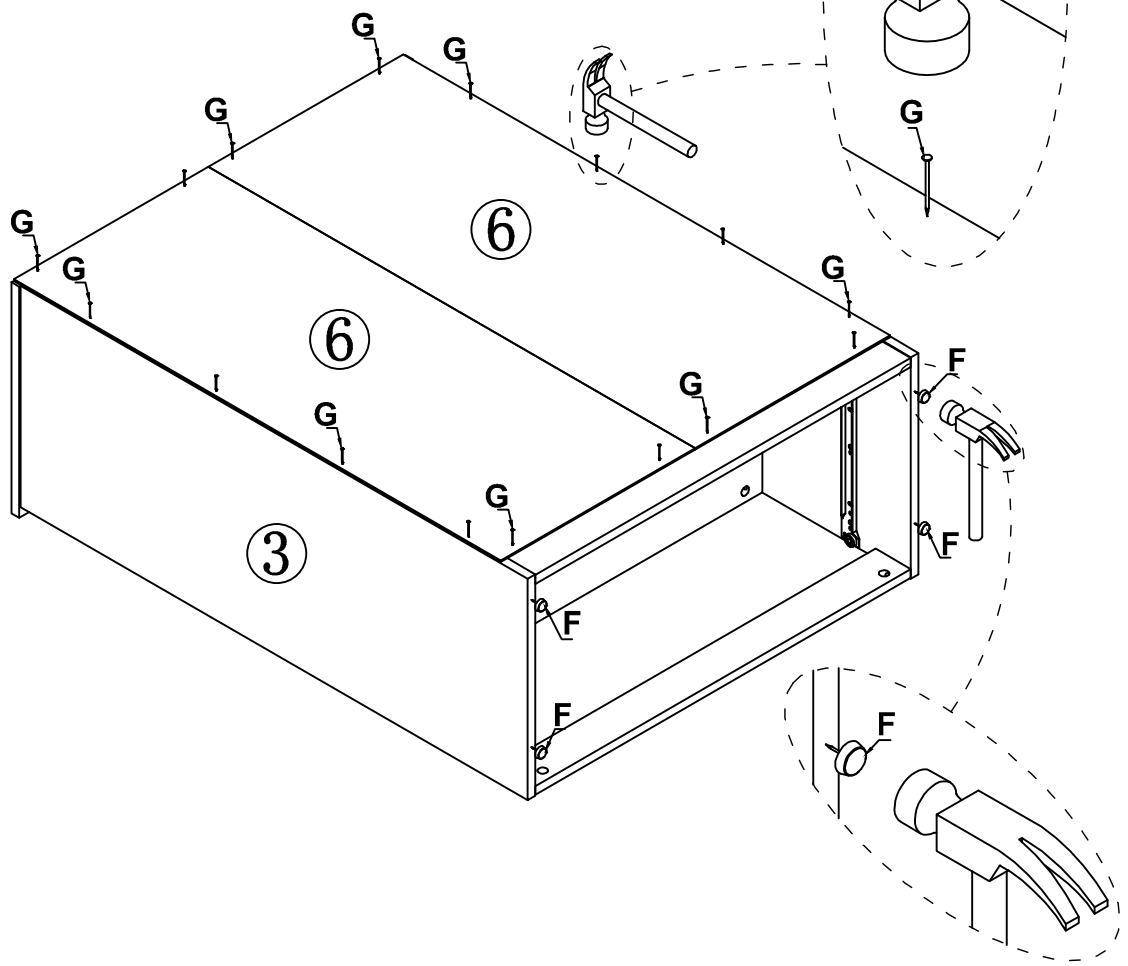
F=10



Pin



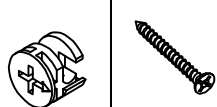
Plastic Feet



Assembly Instruction

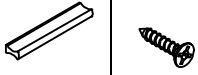
Step 7

B=16 E=16



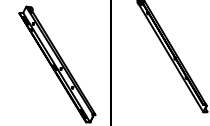
Lock Screw

I=4 D=16



Handle L96mm Screw

DR=4 DL=4

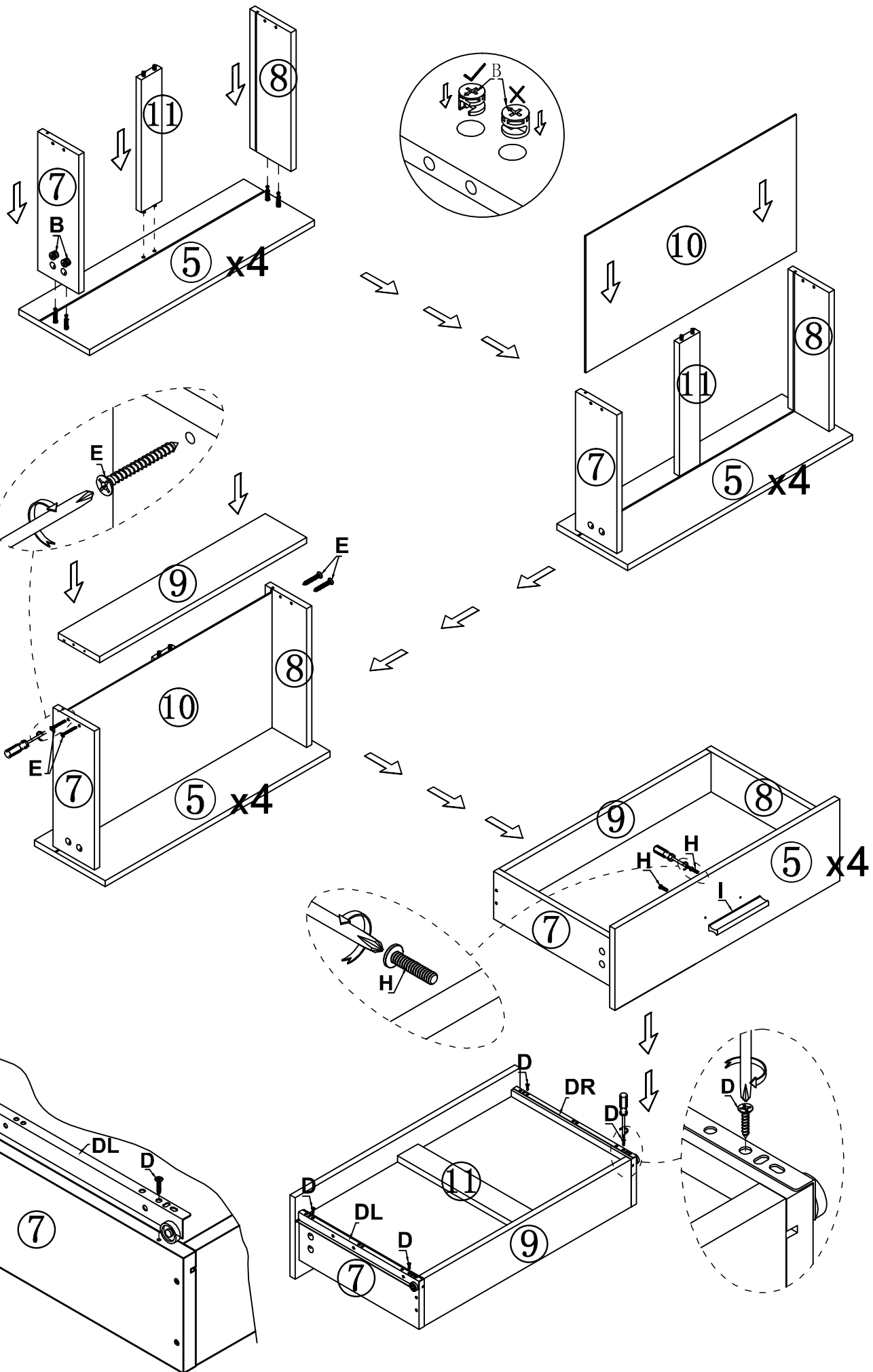


Drawer Runner Drawer Runner

H=8

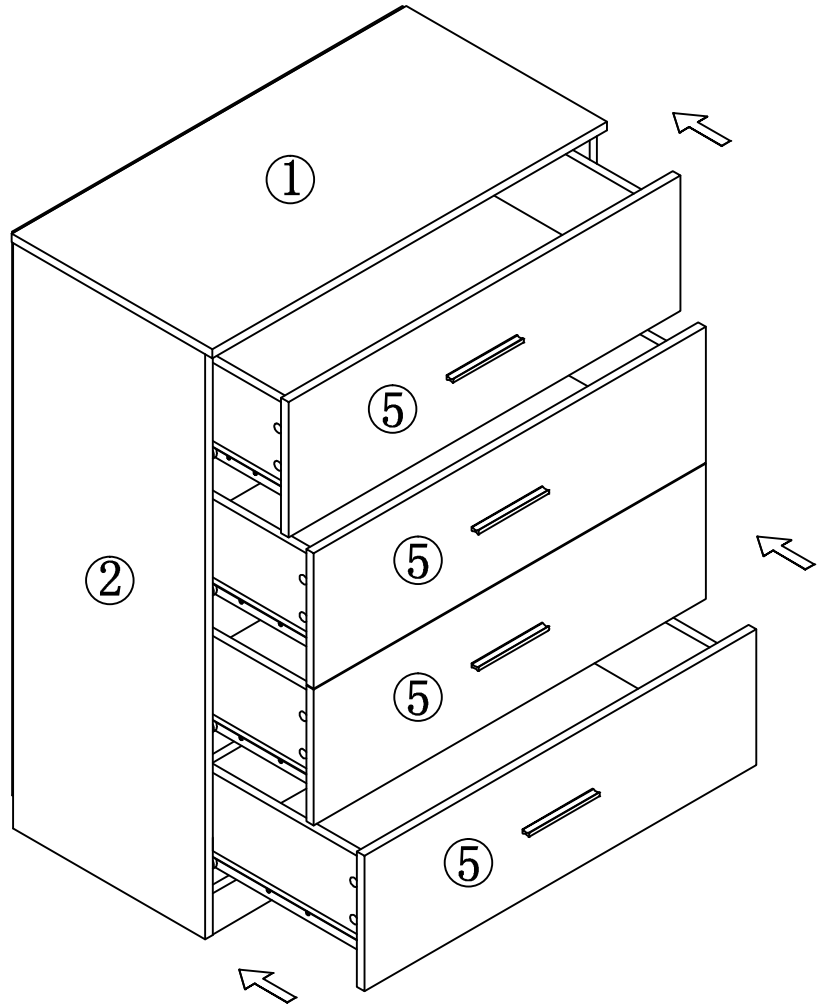


Screw

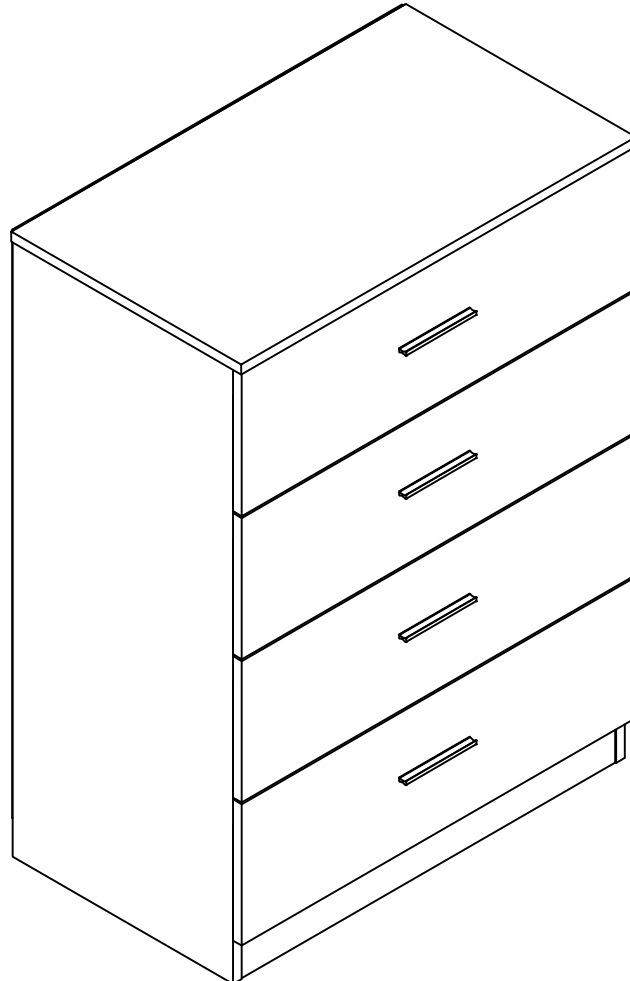


Assembly Instruction

Step 8



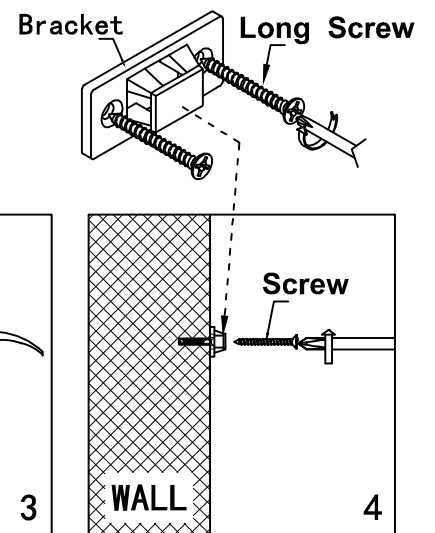
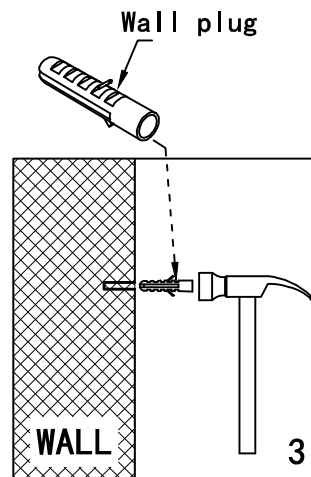
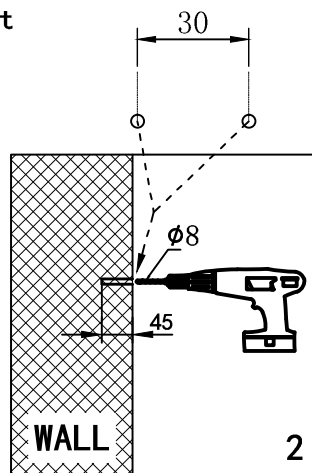
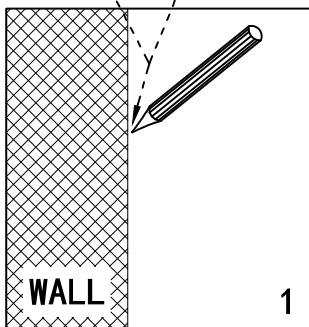
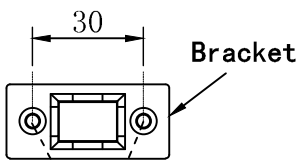
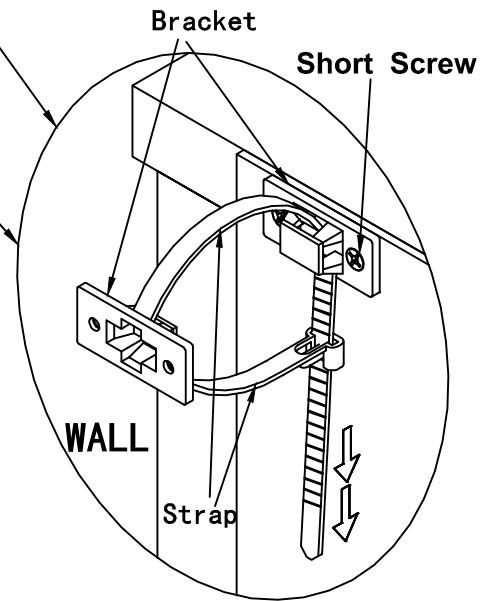
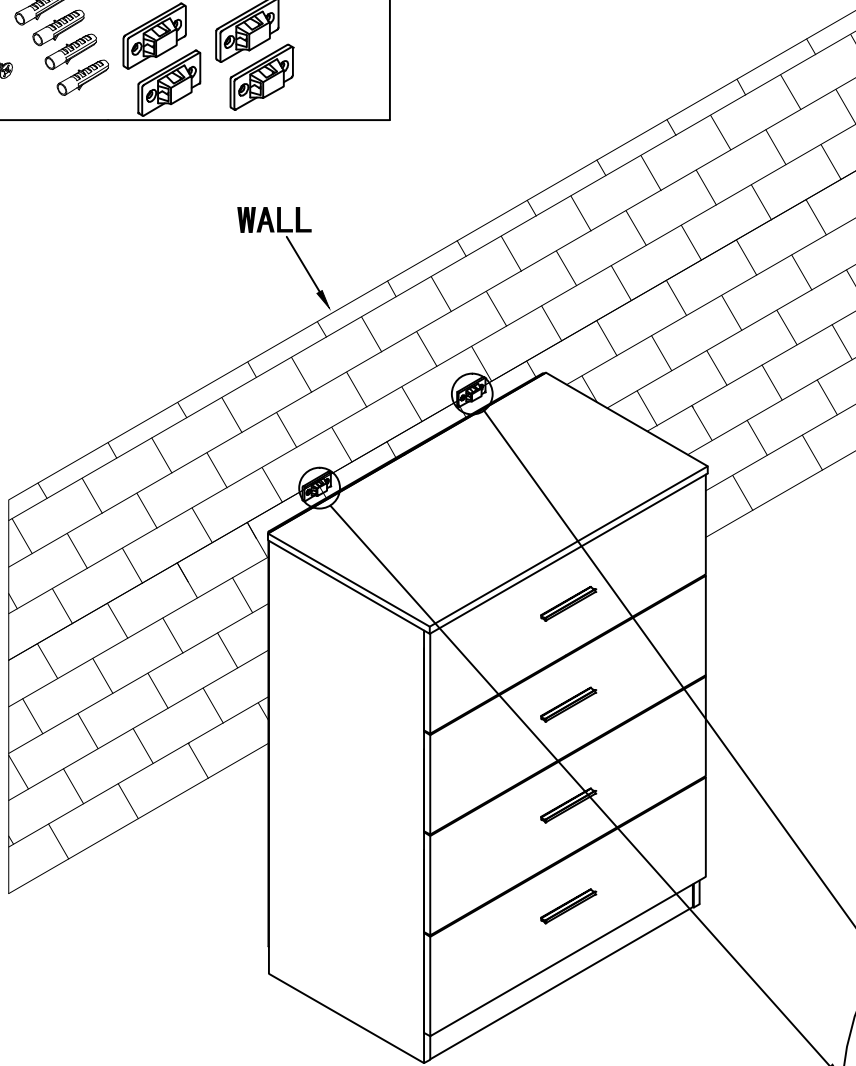
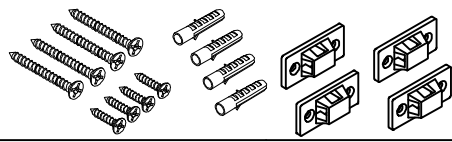
Step 9



P=1



Wall bracket



spacegeneral.co.nz

Great job. You're done!

**Don 't forget to share how it looks in
your space and tag us on Instagram
@spacegeneralnz**