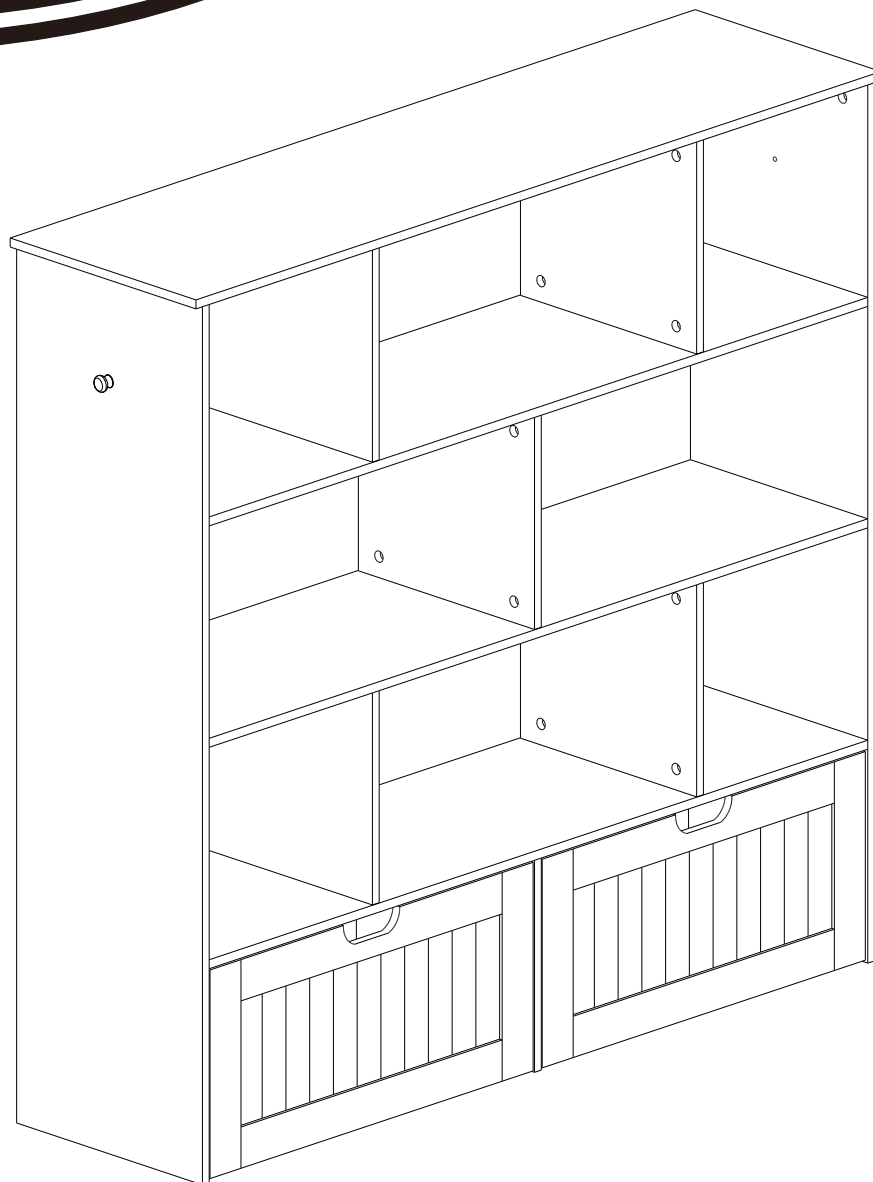


Open Concept



Toy Box and Organizer – White

ASSEMBLY INSTRUCTION

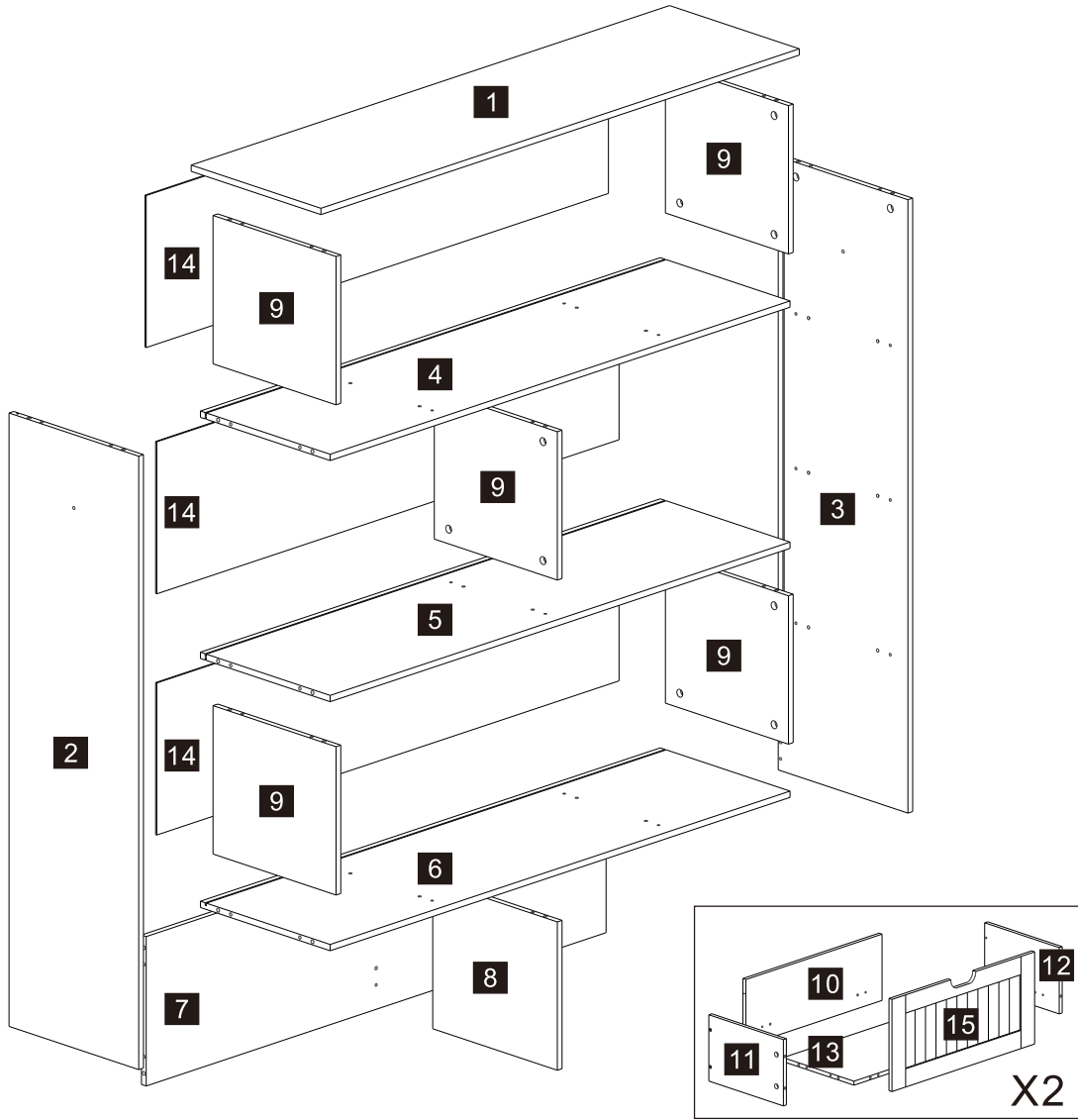
EN

Thank you for purchase on our products. Please contact us if you have difficulty with assembly or need replacement parts. Our customer service is here to assist you.

WARNING

Serious or fatal injury may occur from unexpected assembly or use.

1. During the assembly process, keep all parts away from babies or children.
2. Always securely fix this product to the wall. Make sure the wall area to be drilled is free from hidden electrical wires, water and gas pipes.
3. Use of tip-over restraints may only reduce, but not eliminate the risk of tip-over.
4. Unless specially designed to accommodate, do not set heavy objects on top of this product.
5. Place the heaviest items on the lowest shelf.
6. Never allow children to climb or bang on drawers, doors or shelves.

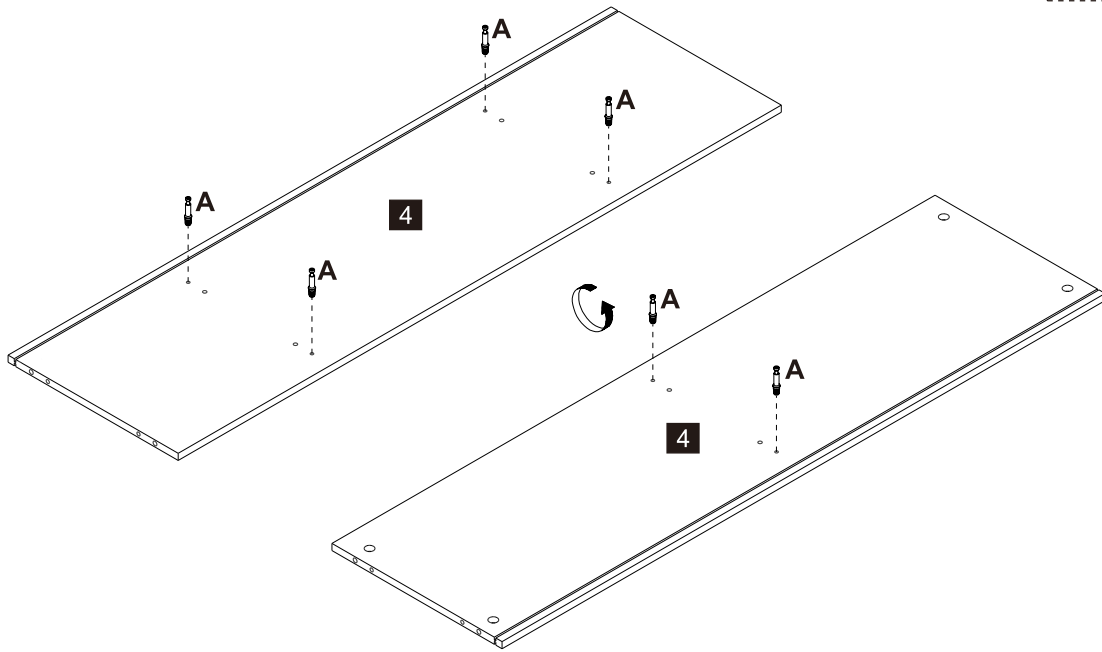


A x68	B x68	C x60	D x10	E x32	F x 8	G x 2
H x 2	I x 2	J x 2	K x 2	L x 4	M x 8	N x 8
4x18mm			4x30mm	3x12mm		3x14mm

Assembly Steps (EN)

STEP 1

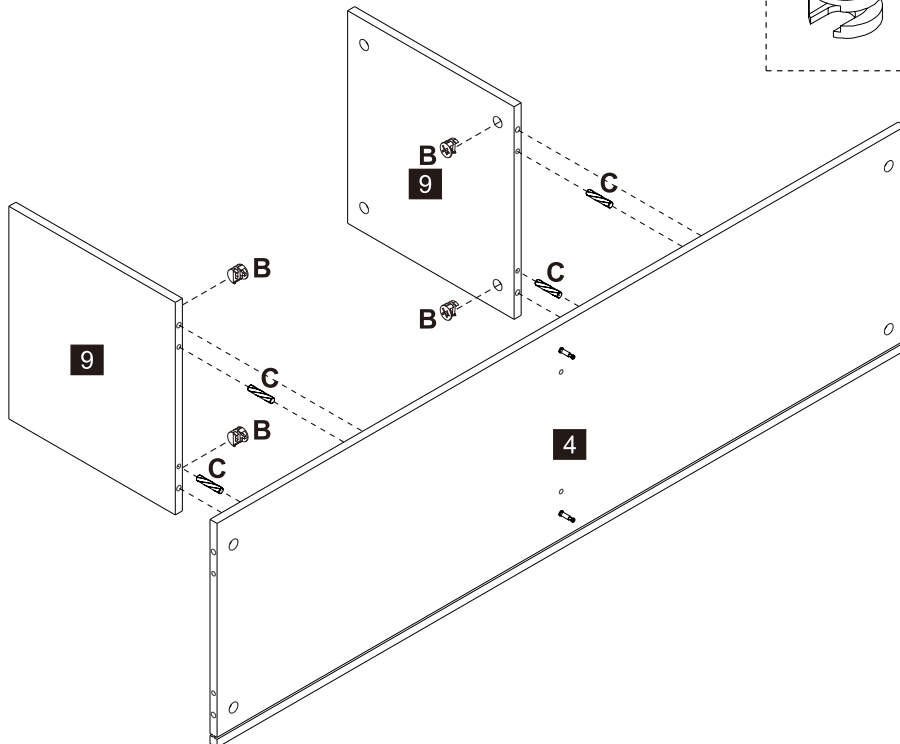
A x 6



STEP 2

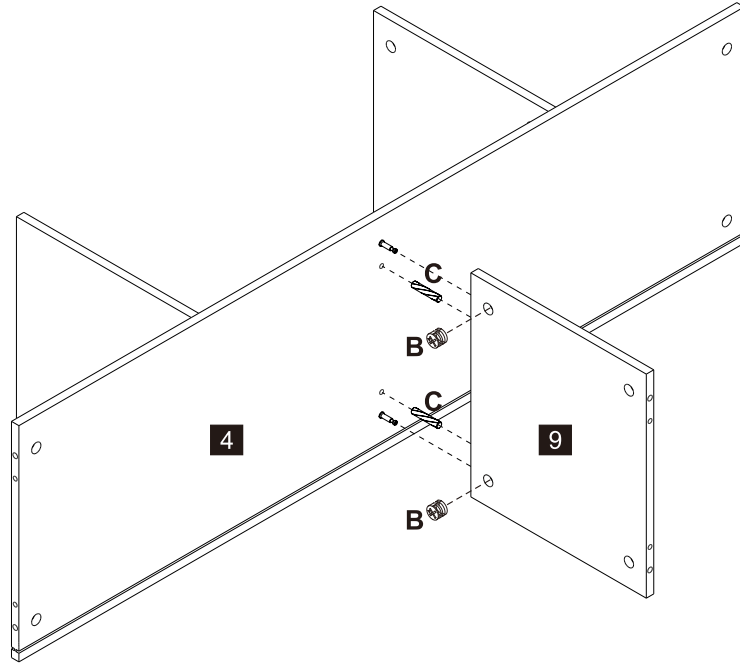
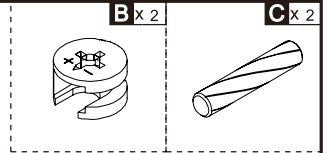
B x 4

C x 4

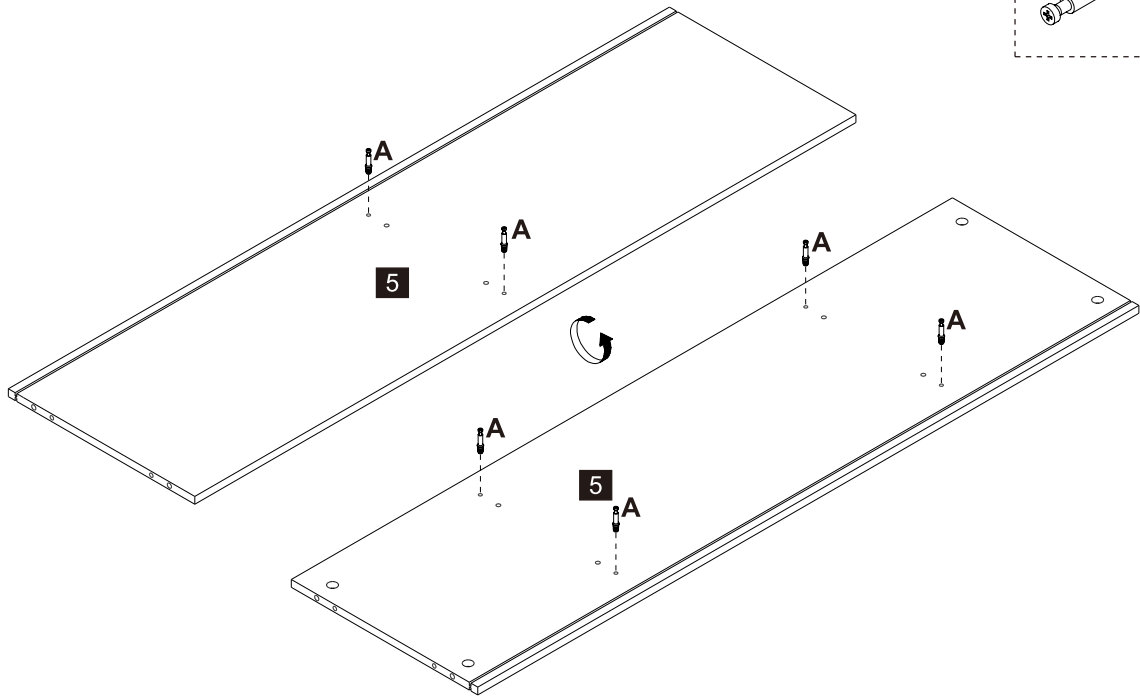
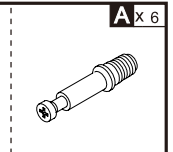


Assembly Steps (EN)

STEP 3

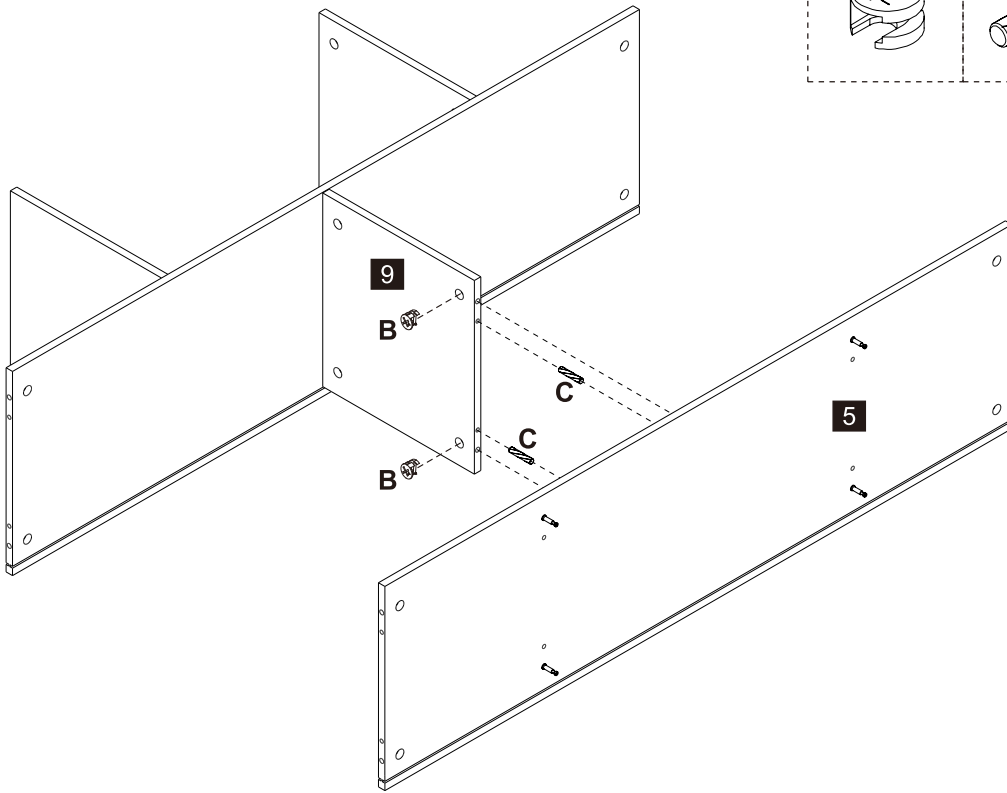


STEP 4

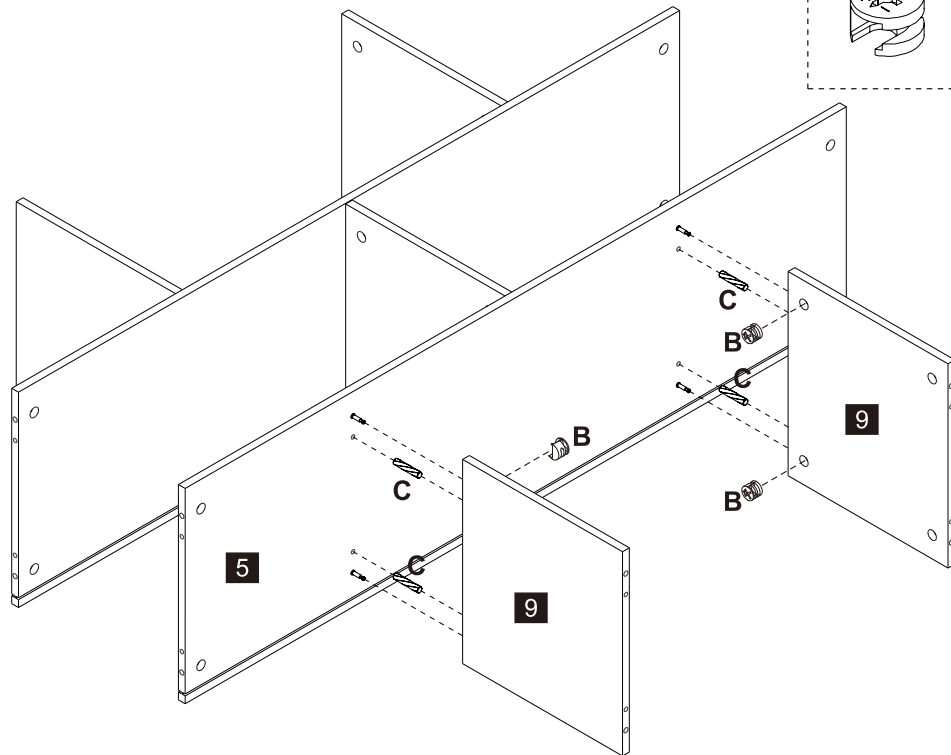


Assembly Steps (EN)

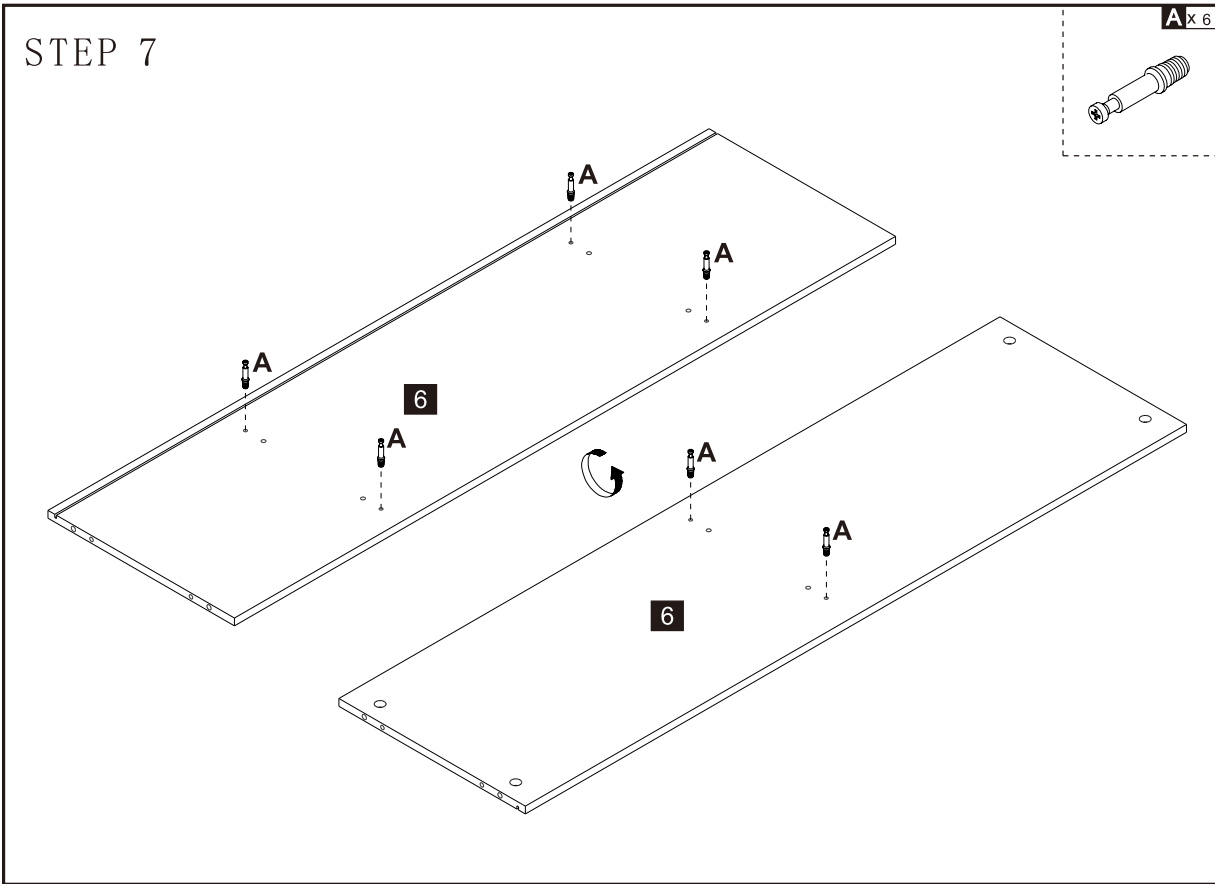
STEP 5



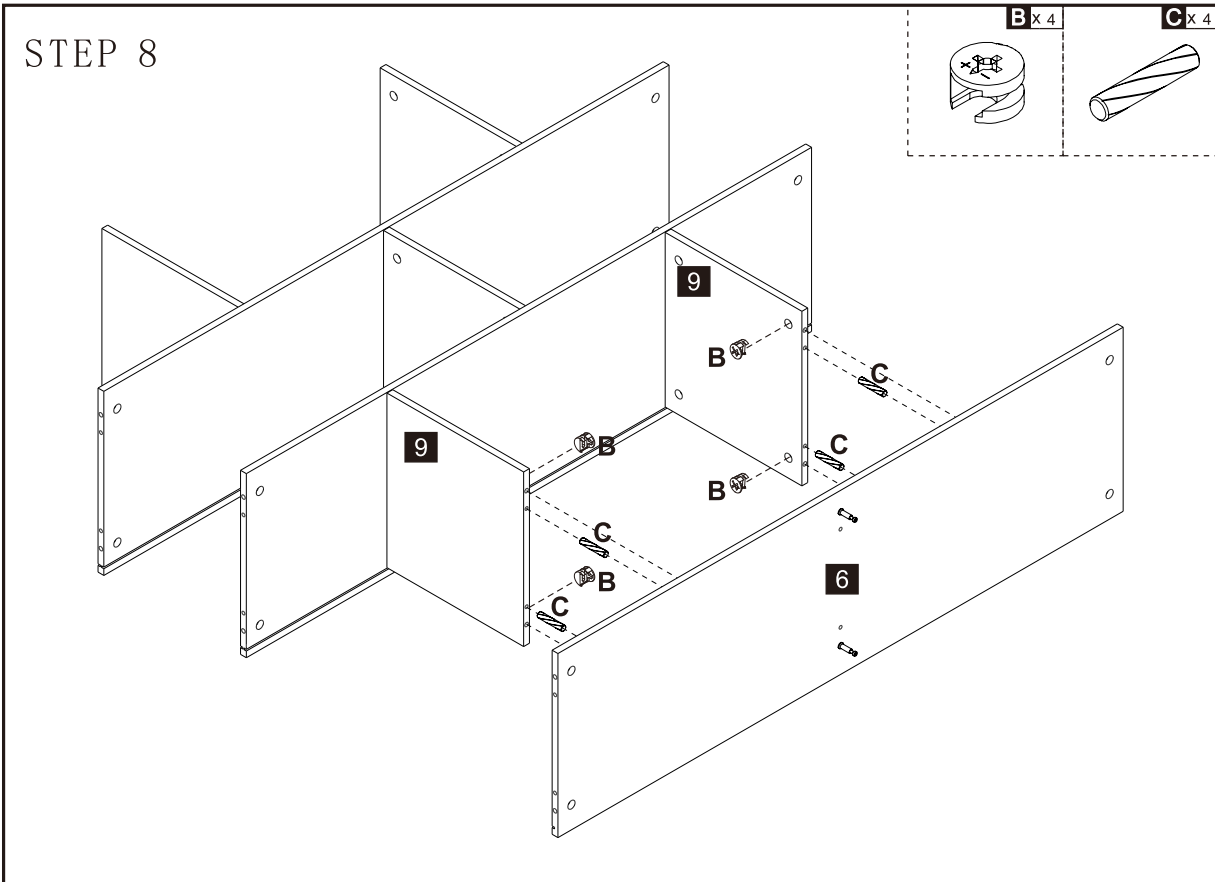
STEP 6



STEP 7

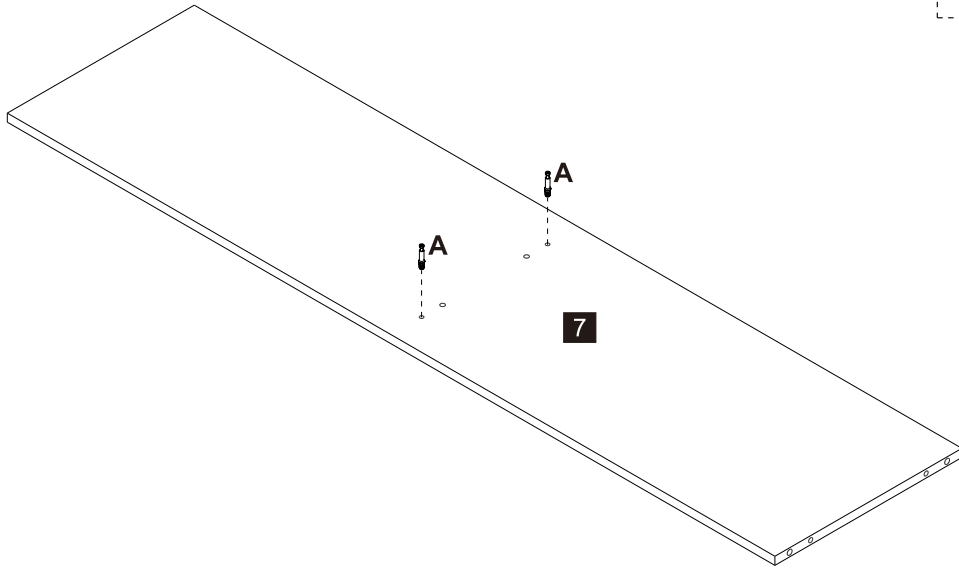
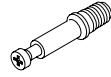


STEP 8



STEP 9

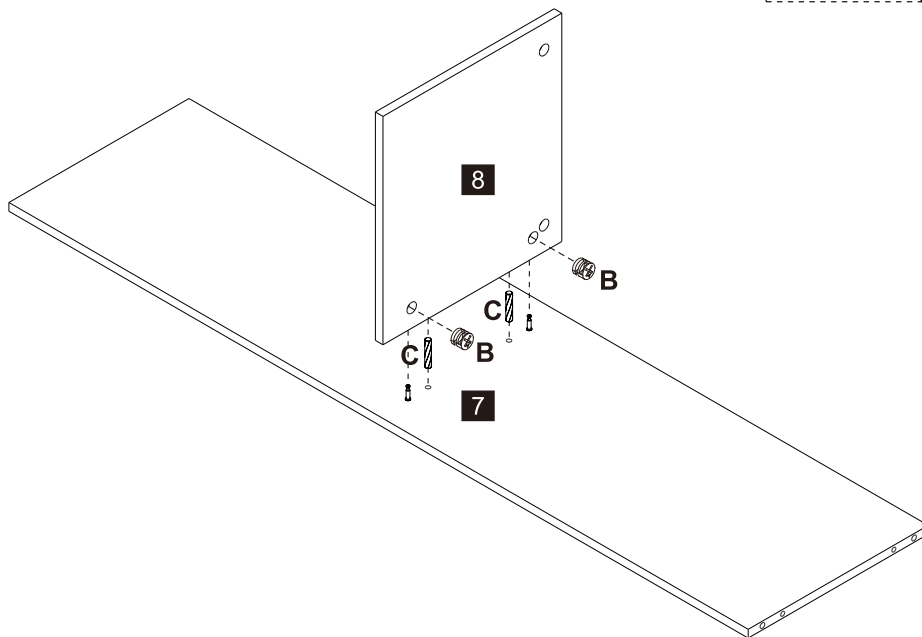
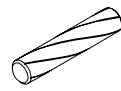
A x 2



STEP 10

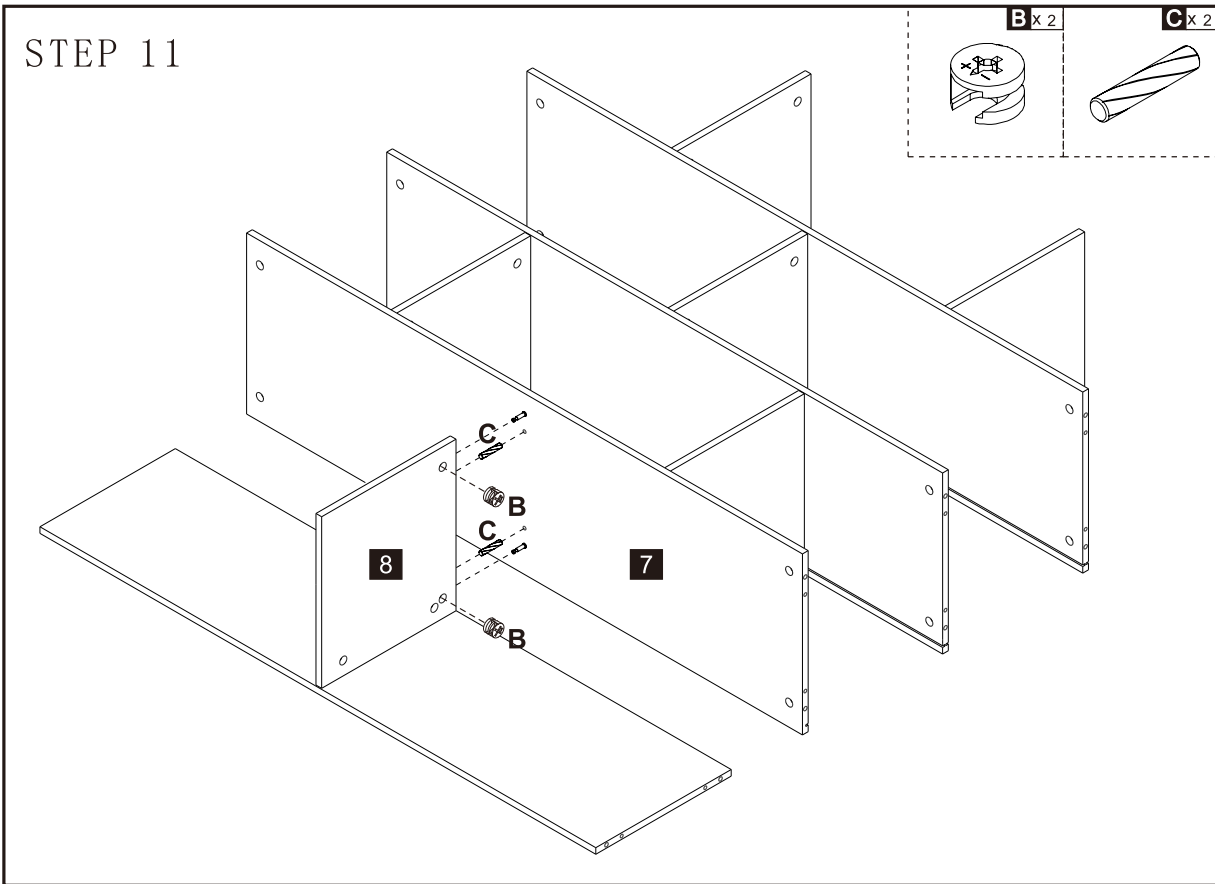
B x 2

C x 2

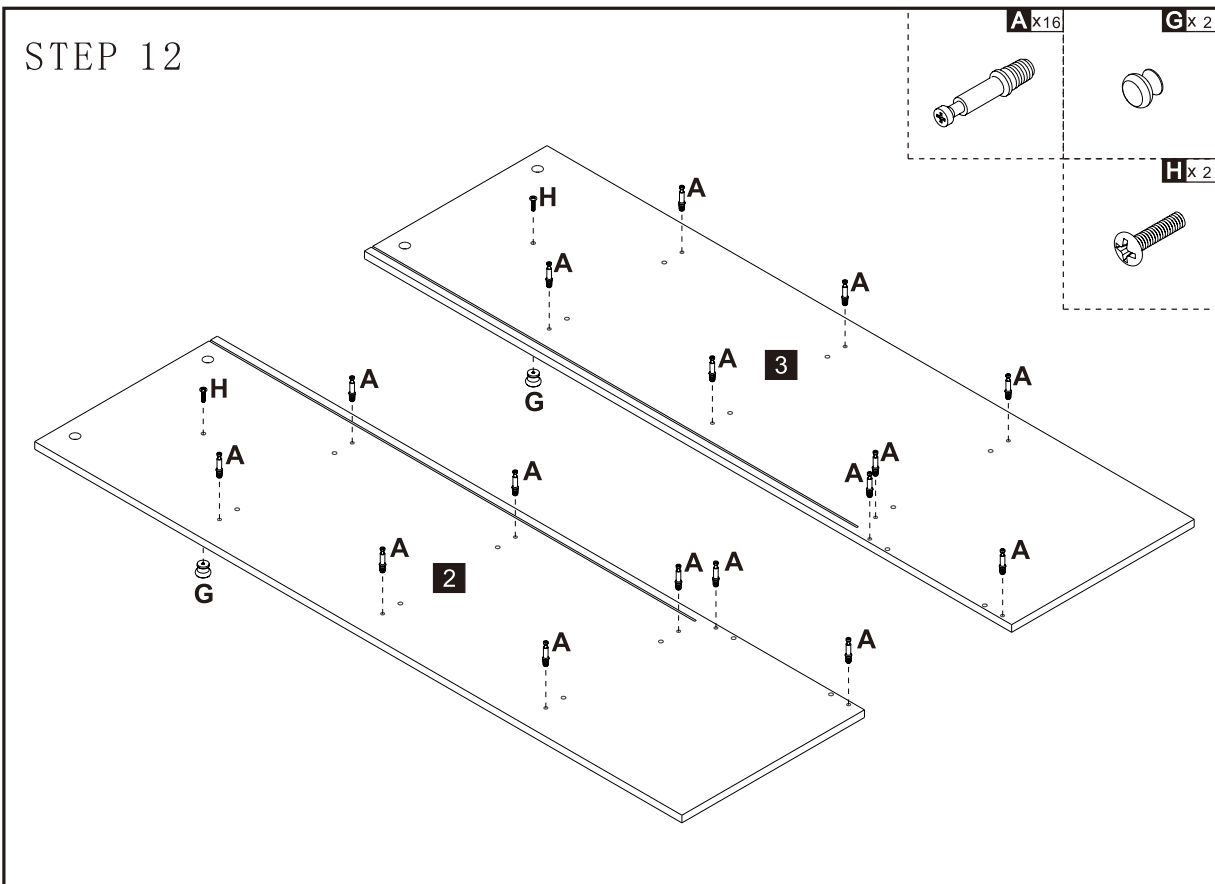


Assembly Steps (EN)

STEP 11

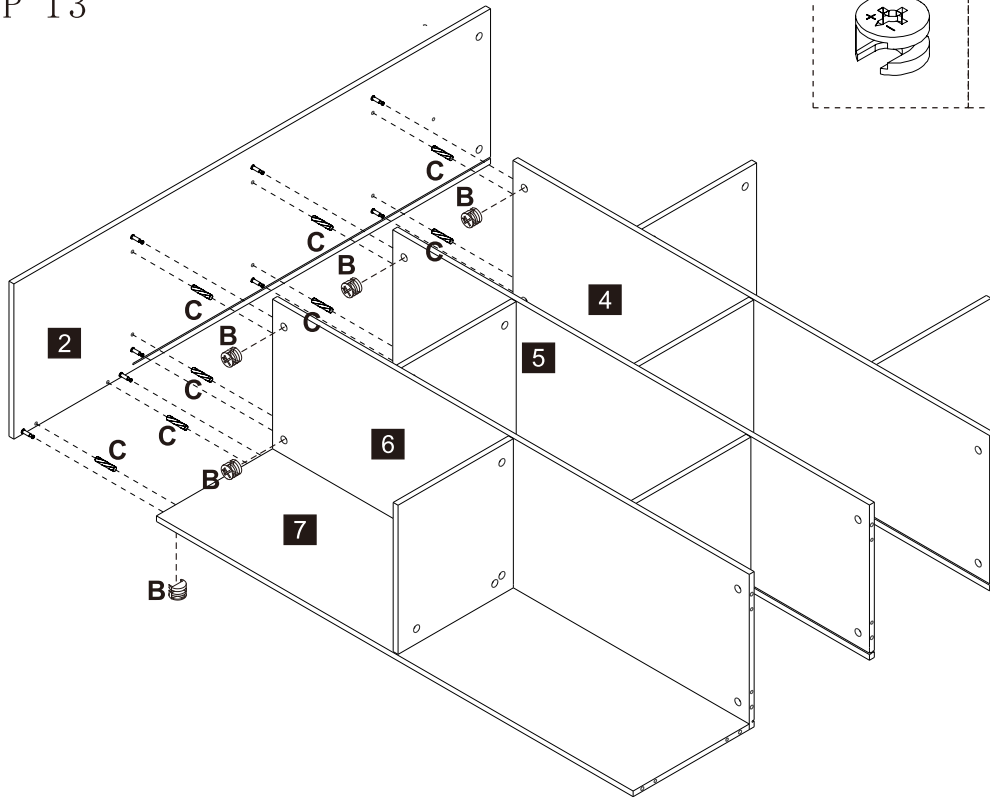


STEP 12

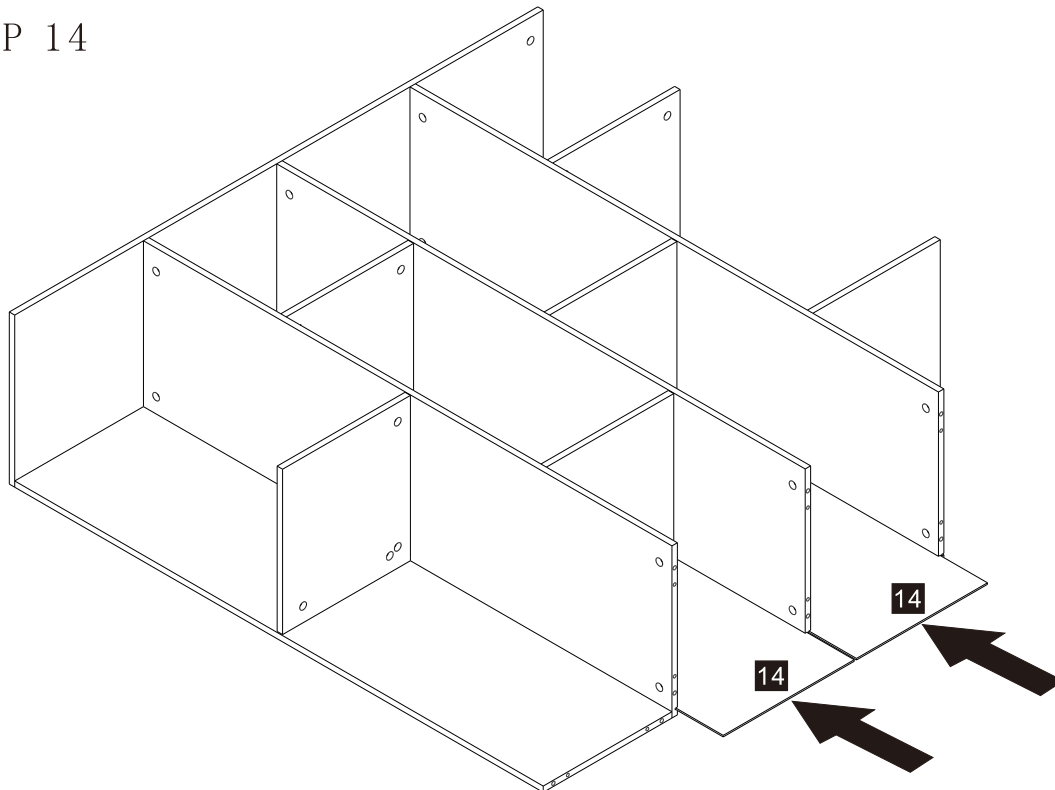


Assembly Steps (EN)

STEP 13

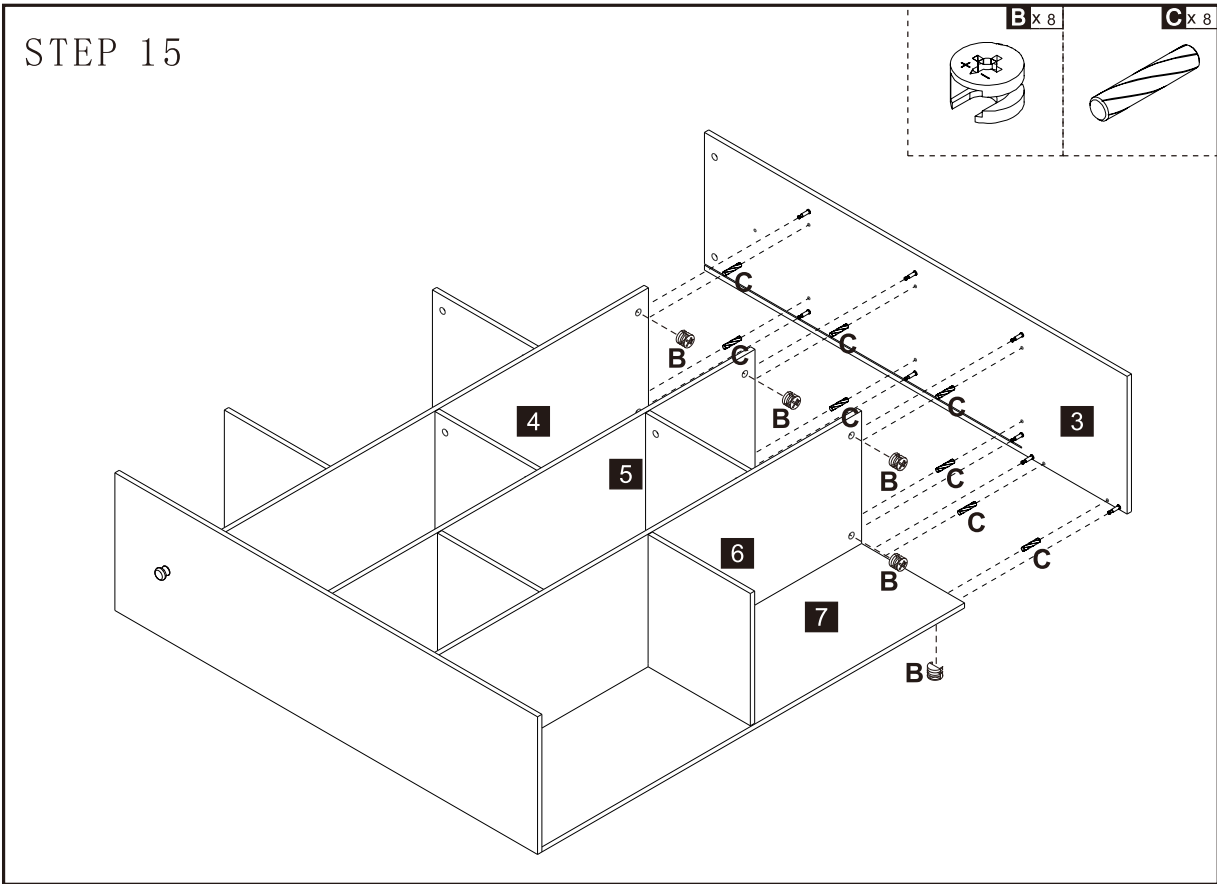


STEP 14

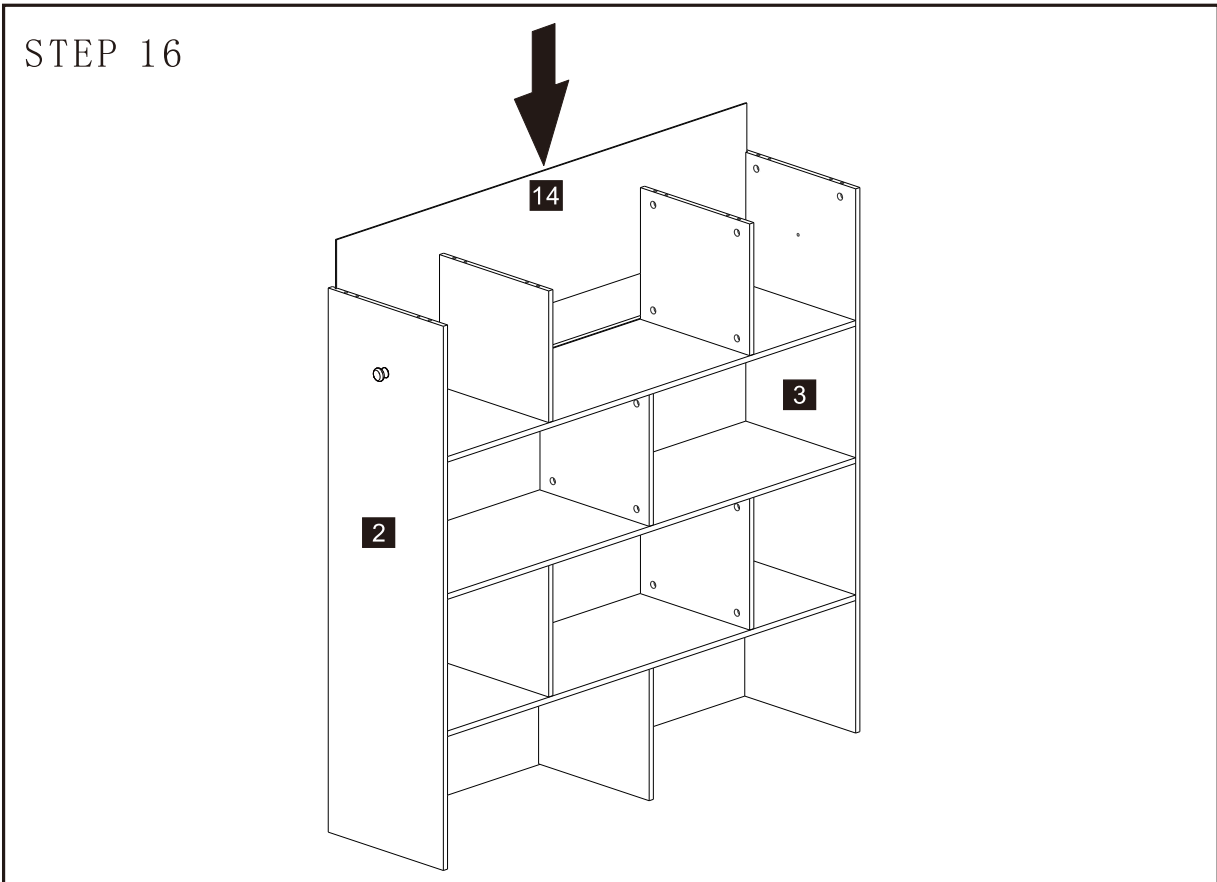


Assembly Steps (EN)

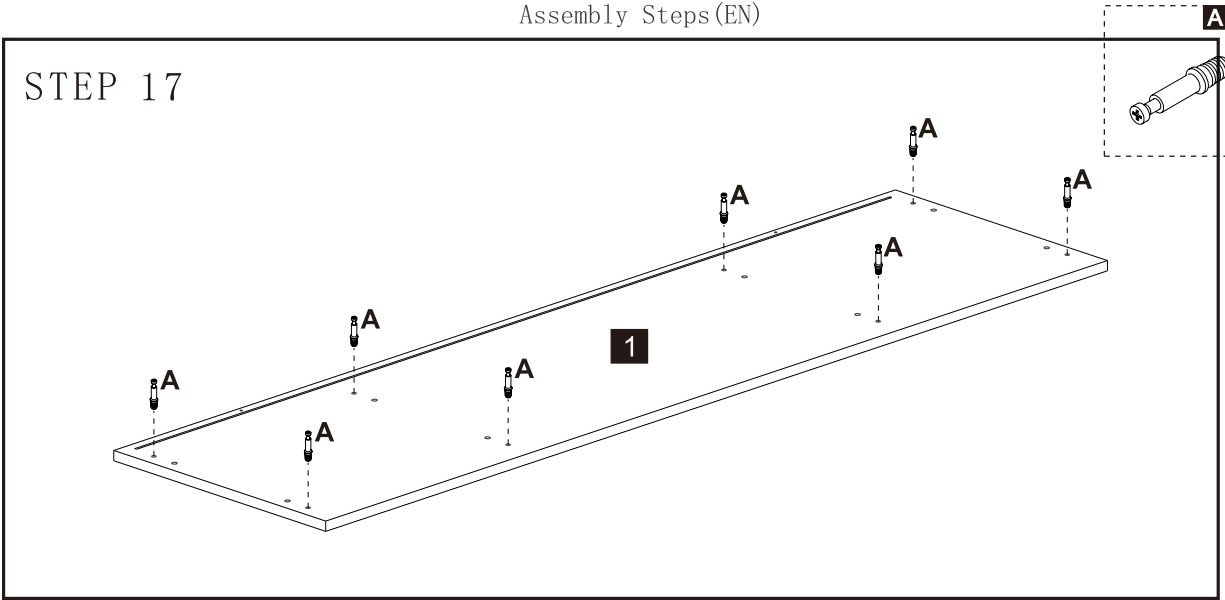
STEP 15



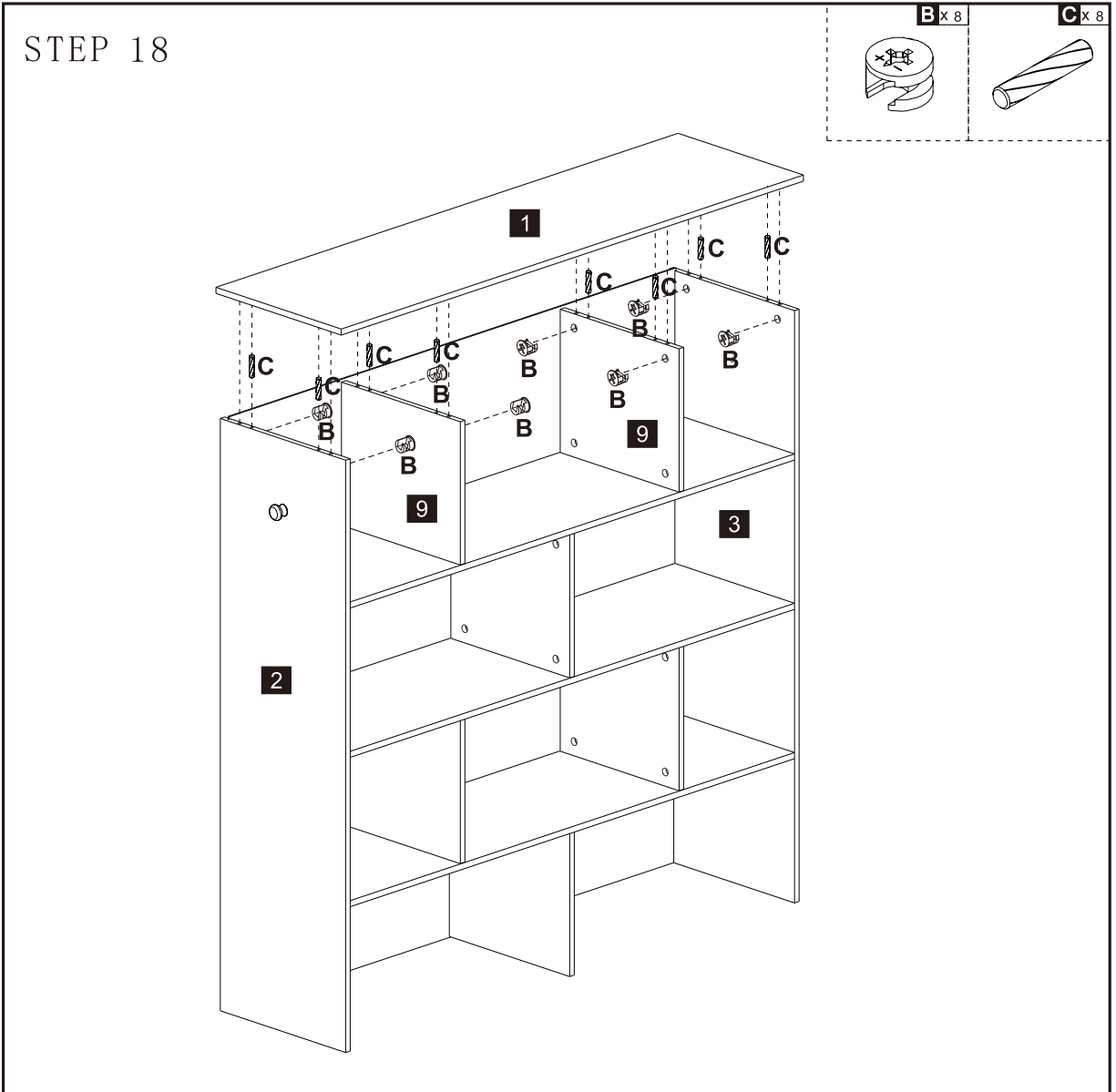
STEP 16



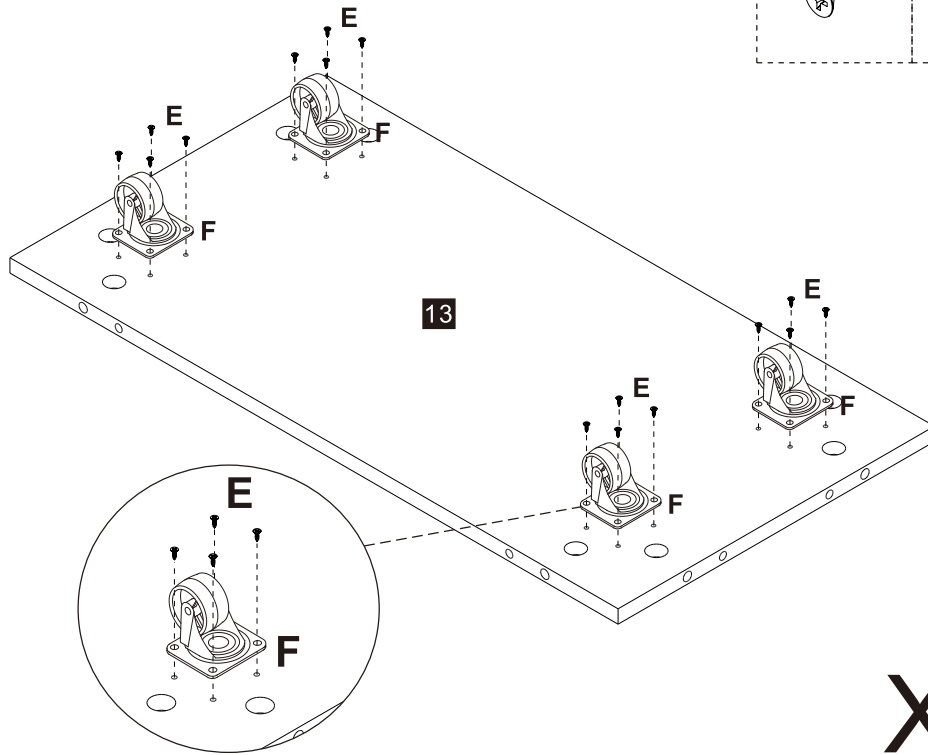
STEP 17



STEP 18

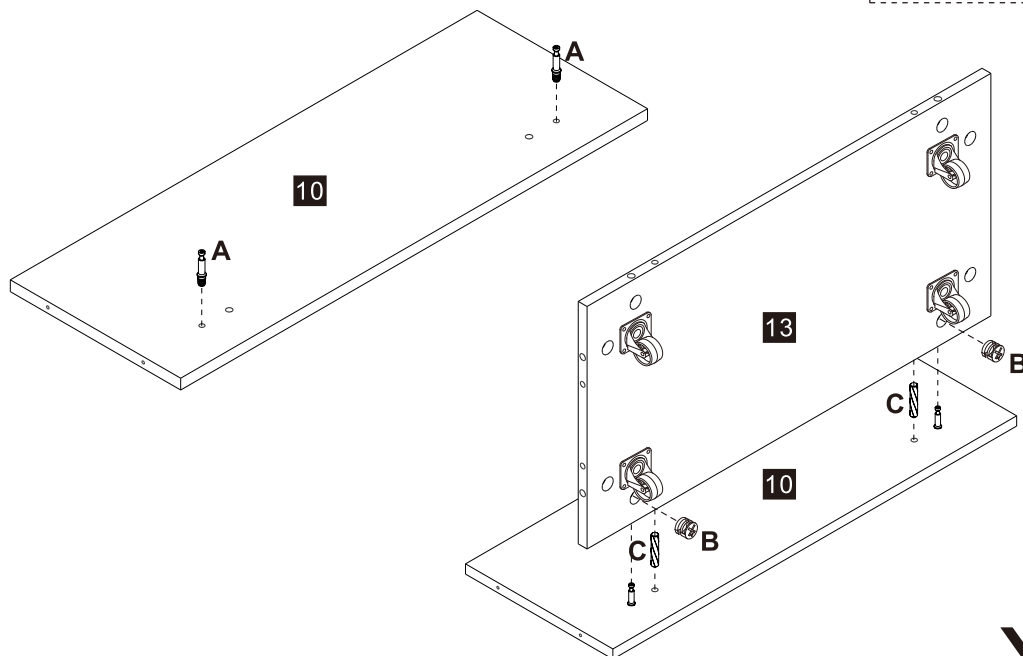


STEP 19



X2

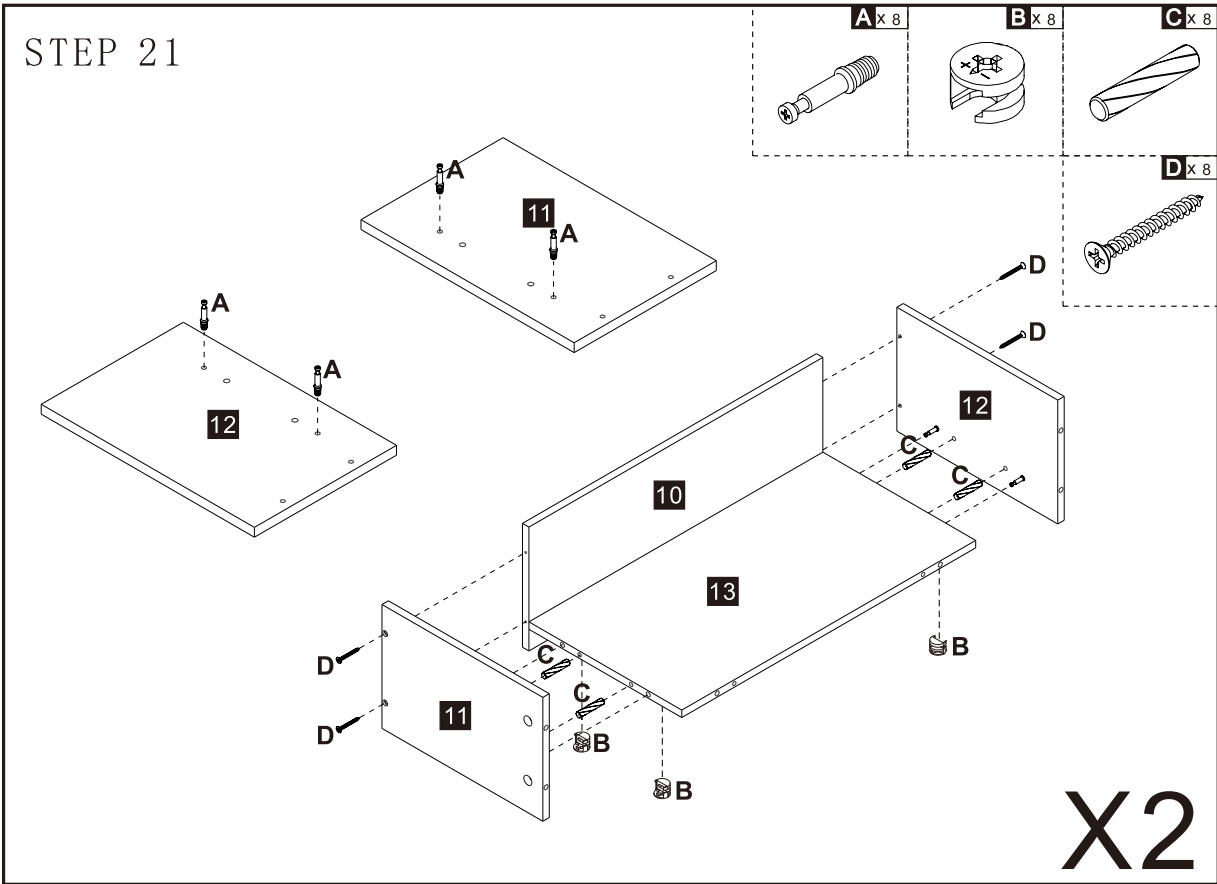
STEP 20



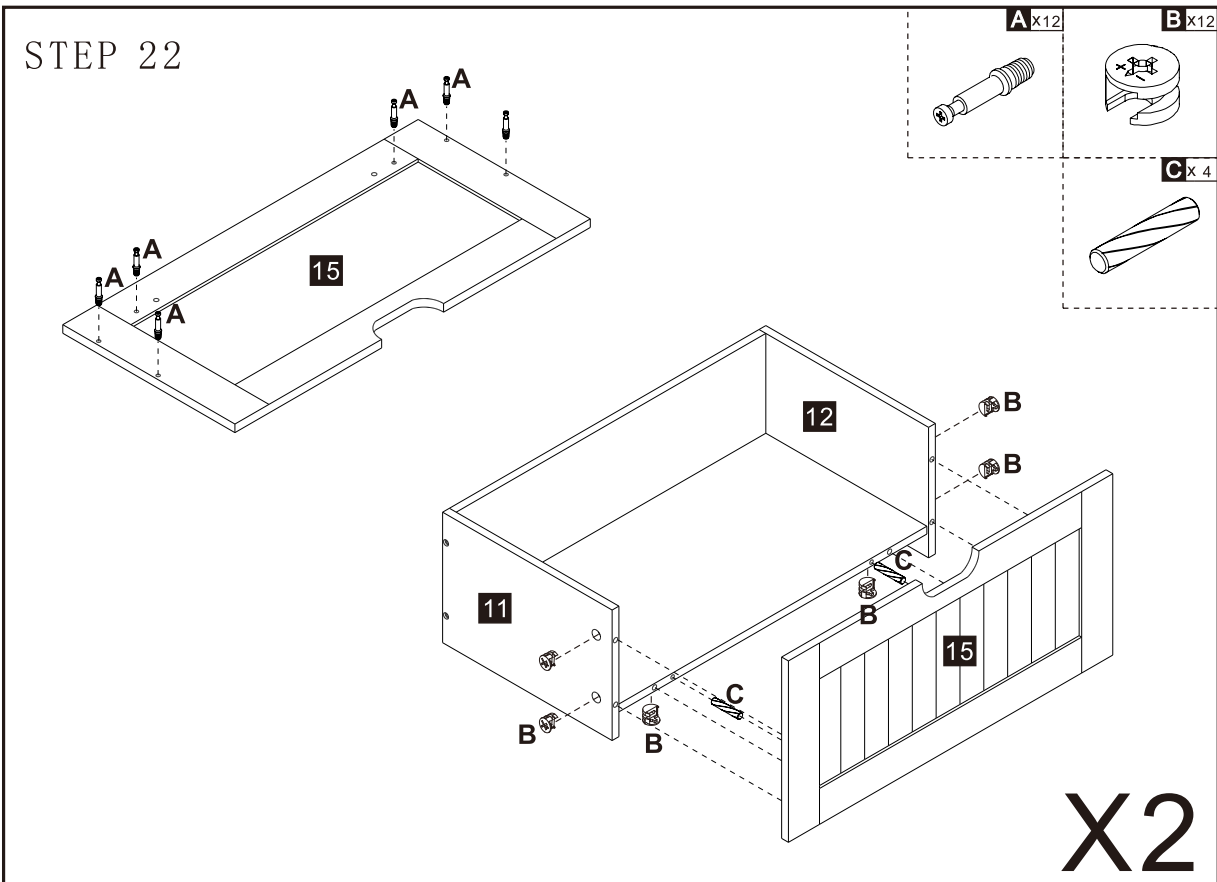
X2

Assembly Steps (EN)

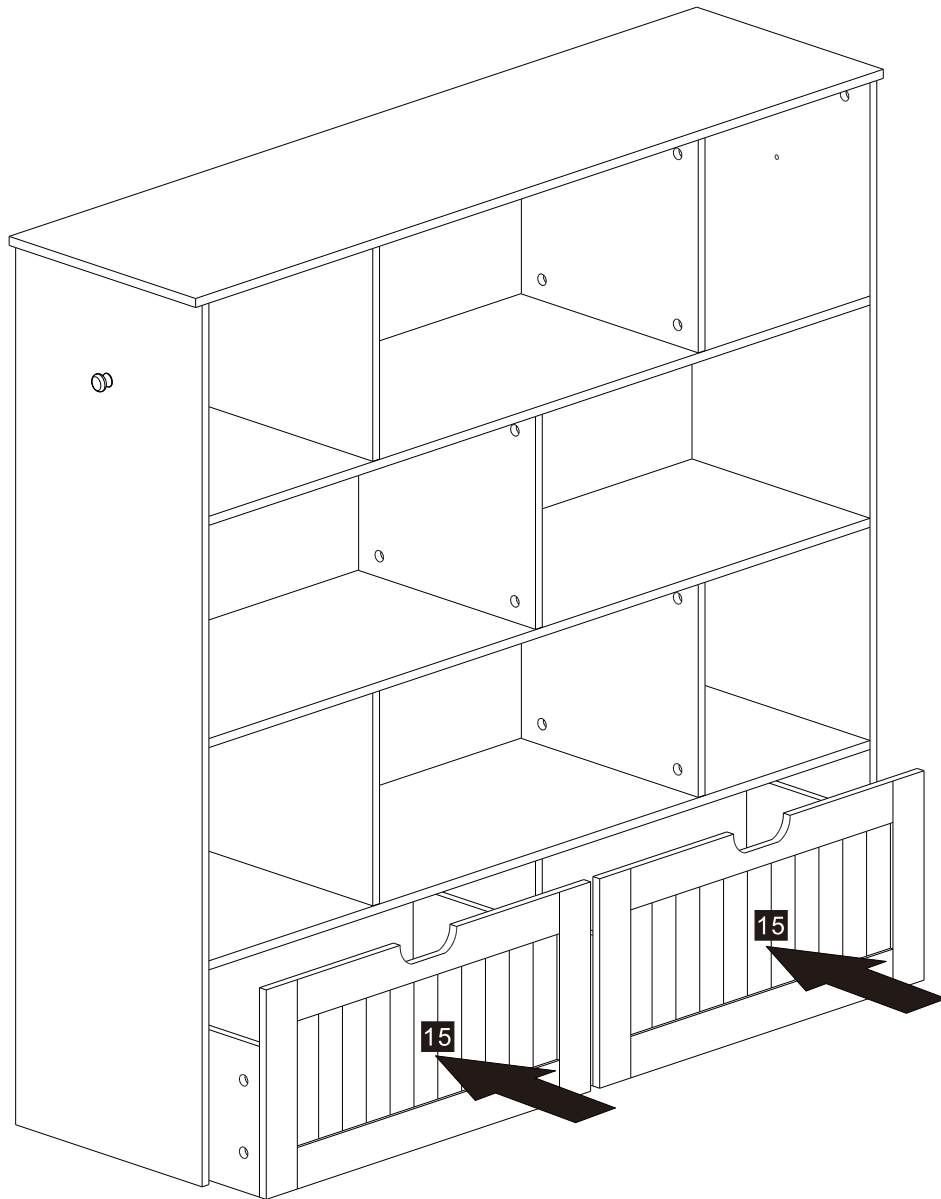
STEP 21



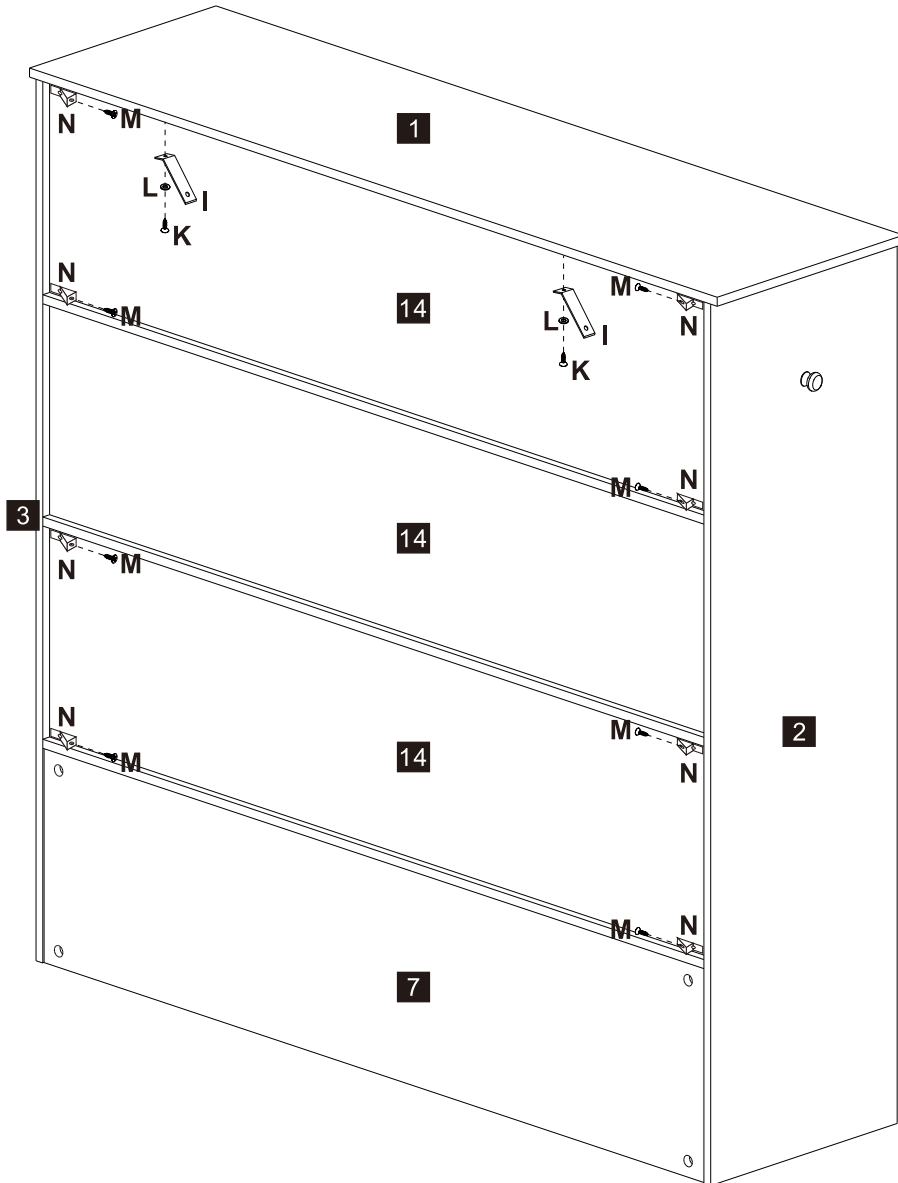
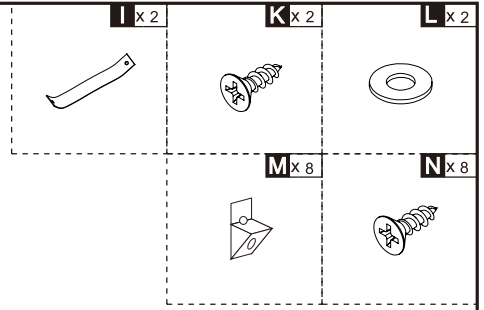
STEP 22



STEP 23



STEP 24



STEP 25

