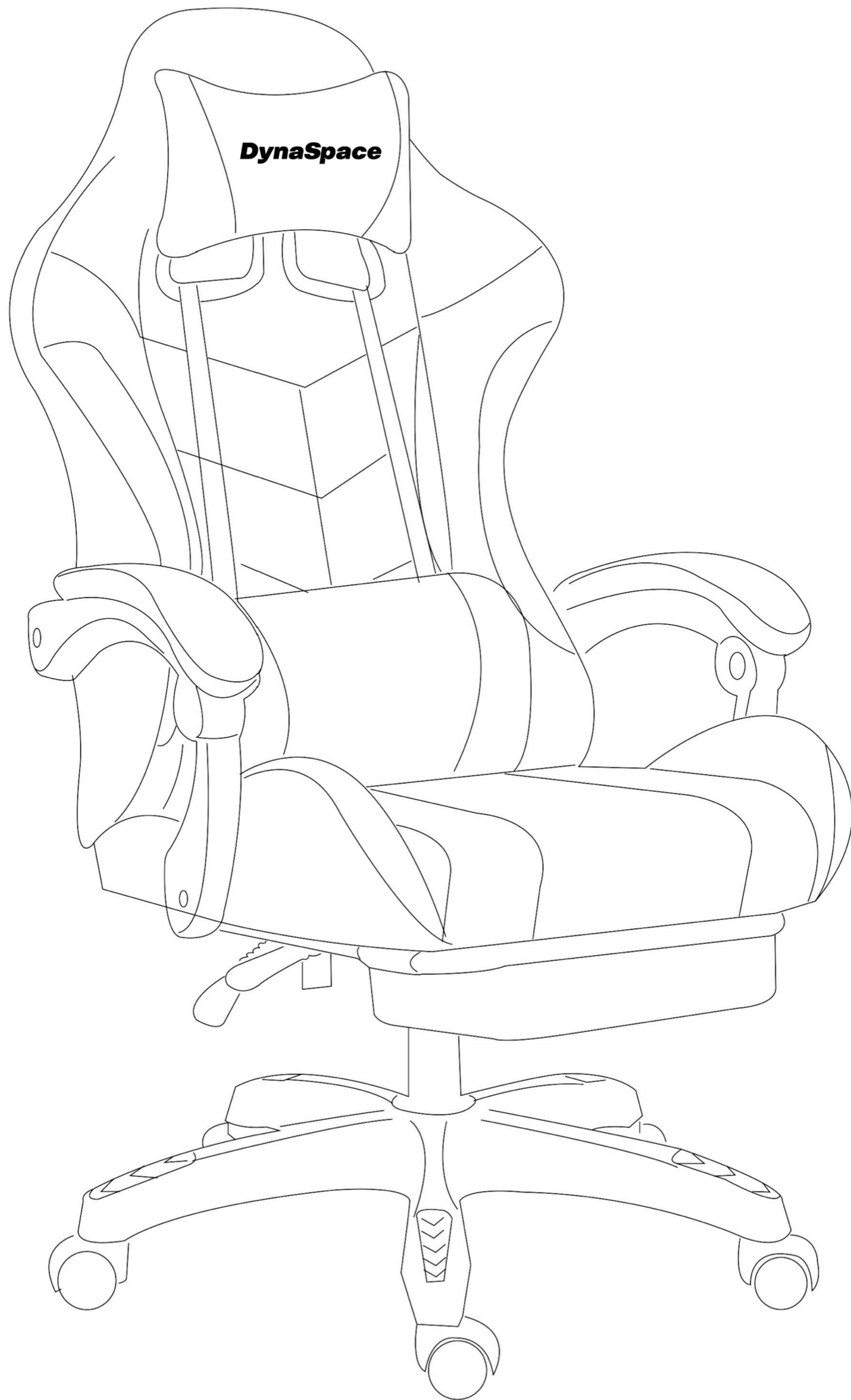


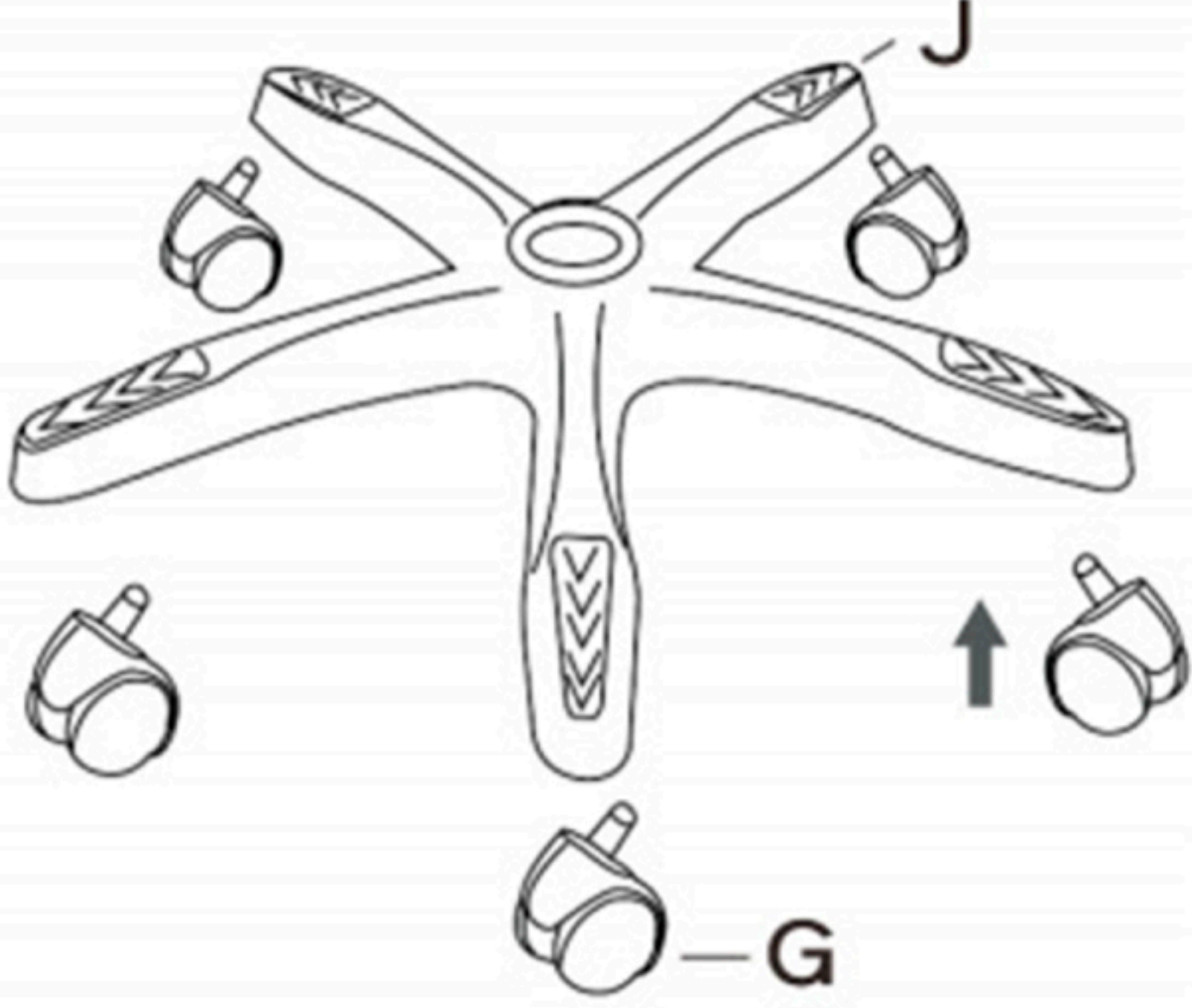
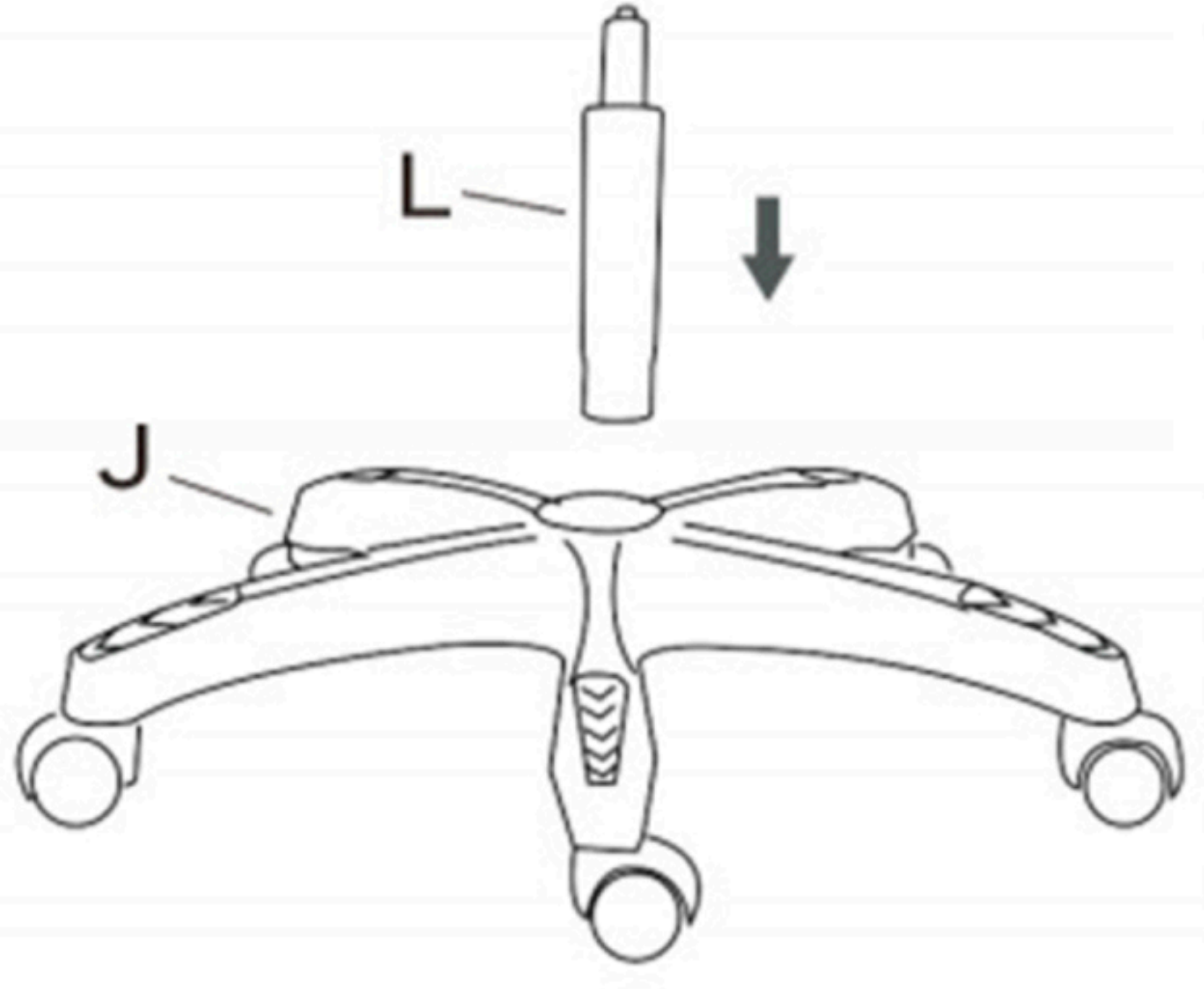
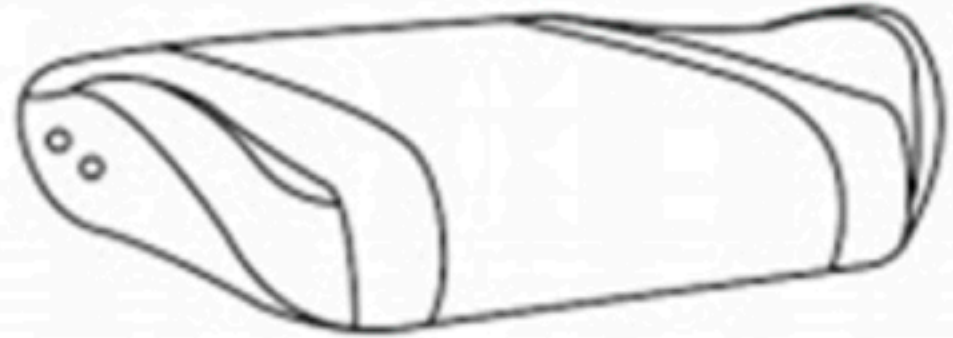

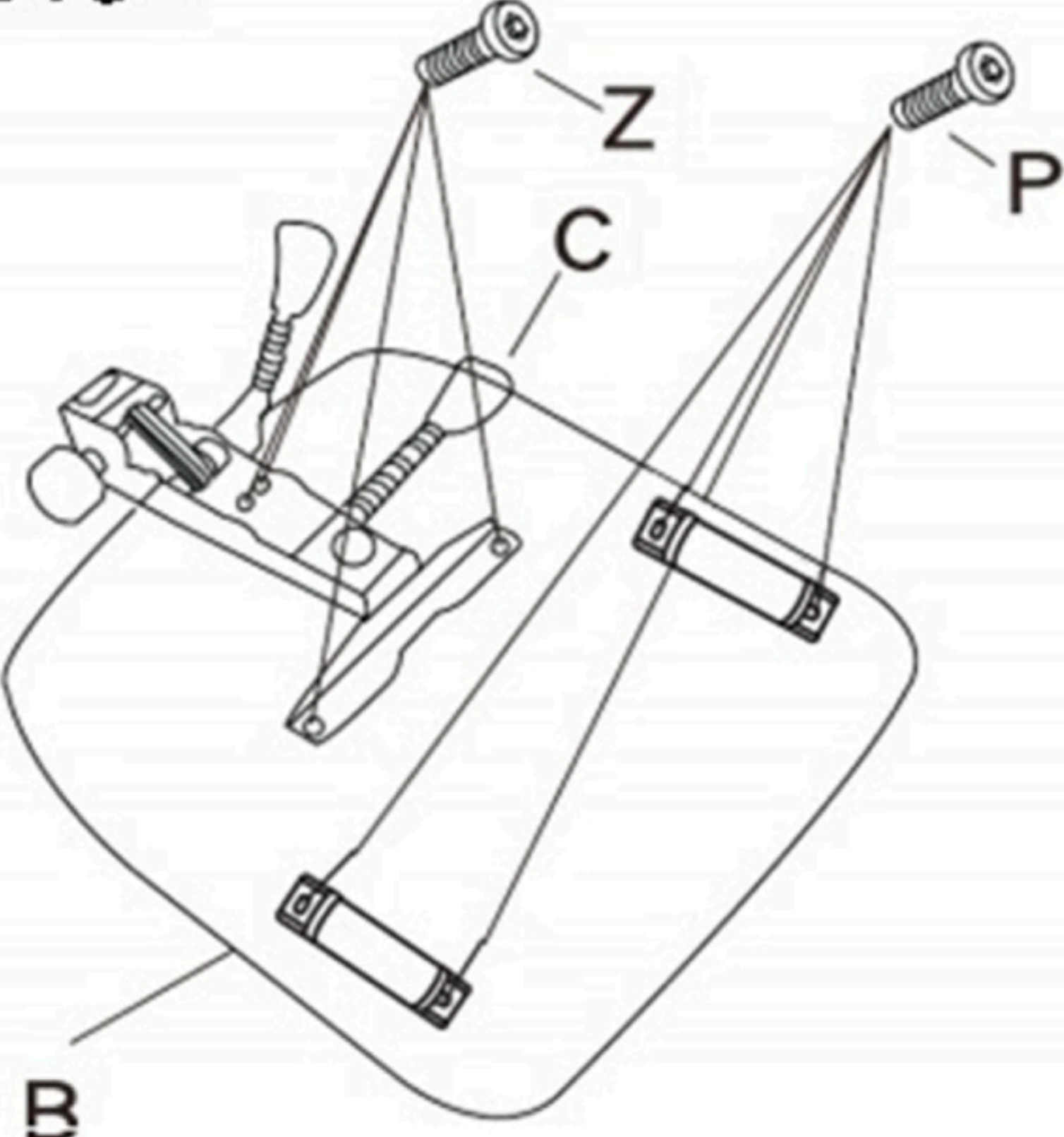
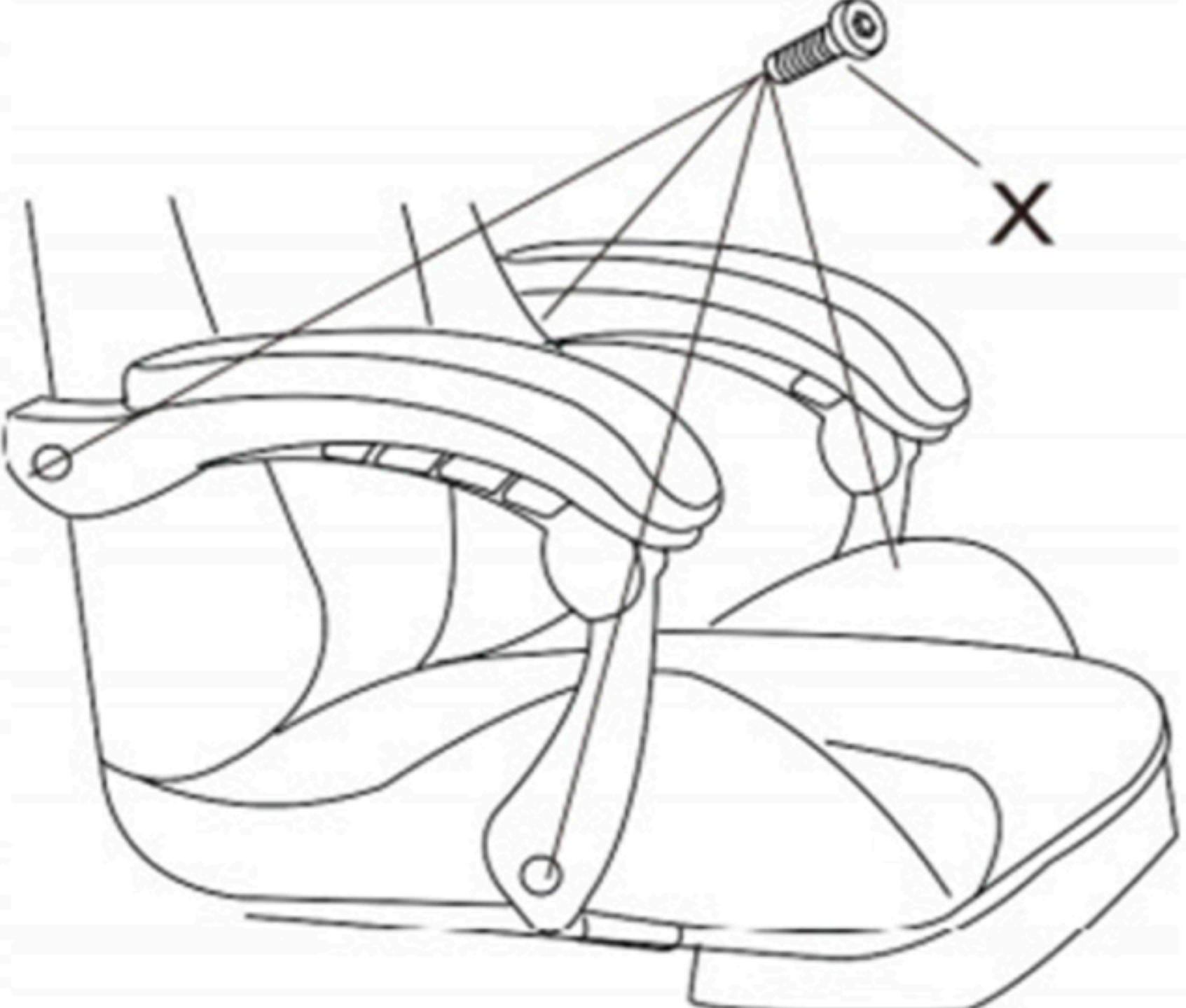
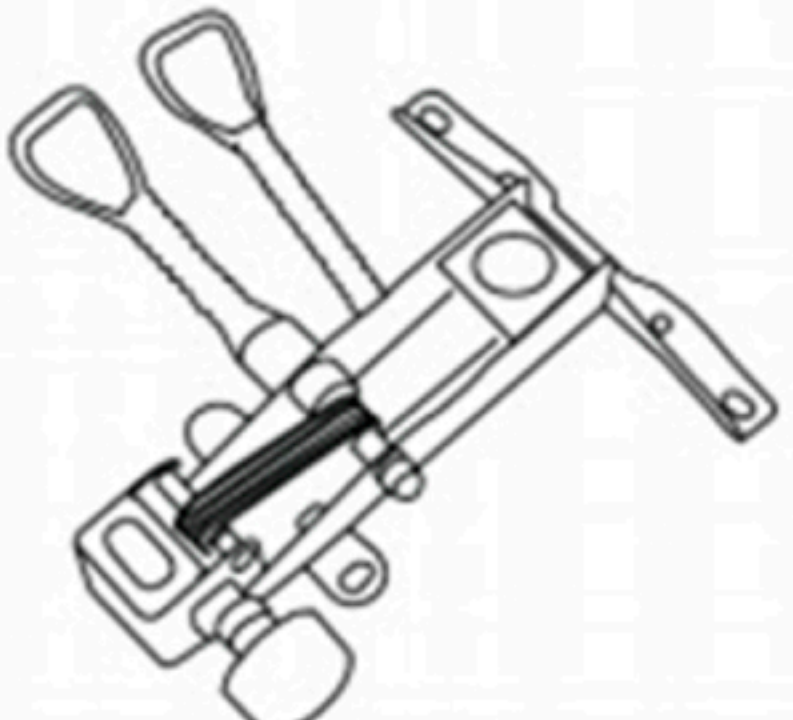

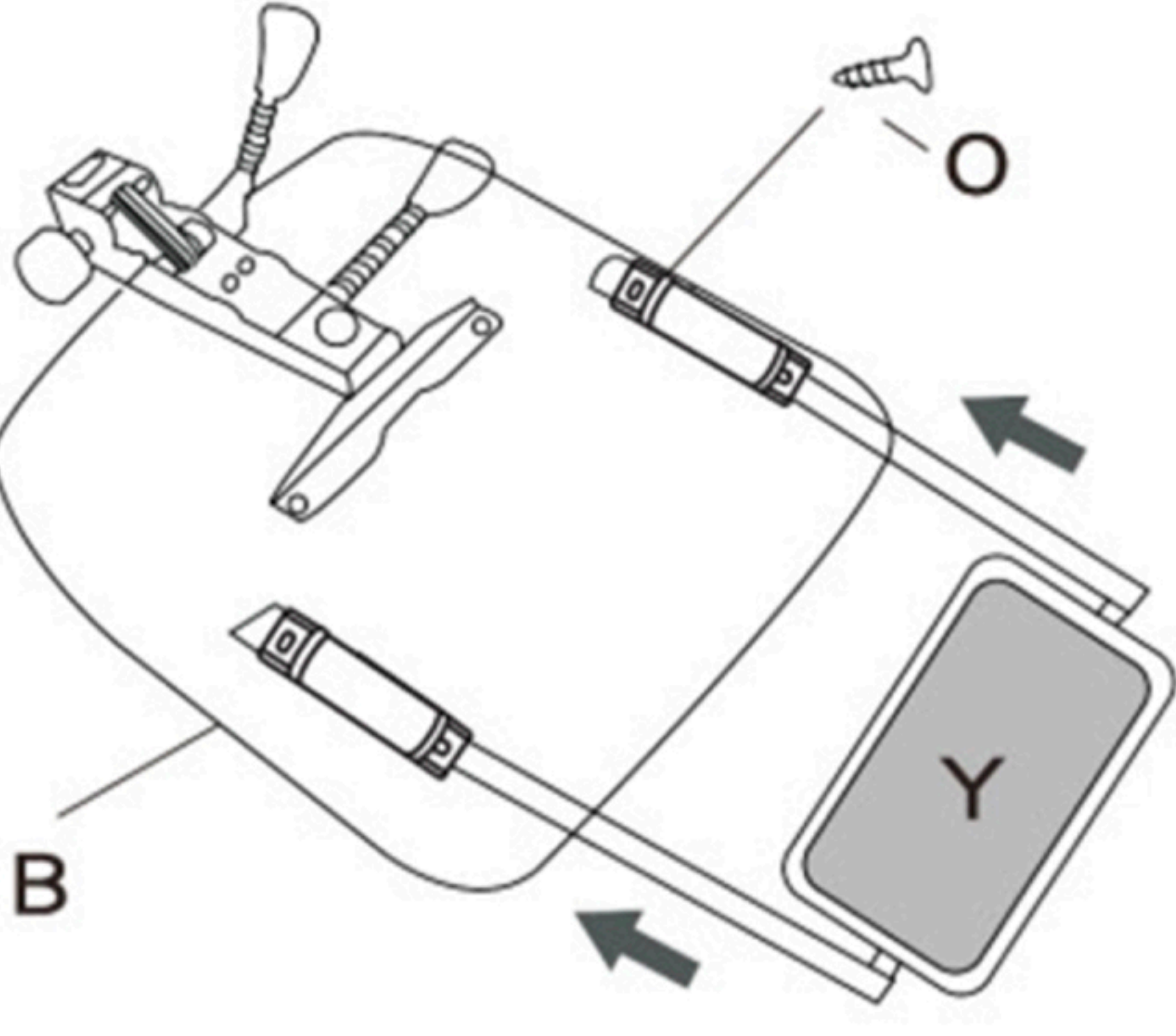
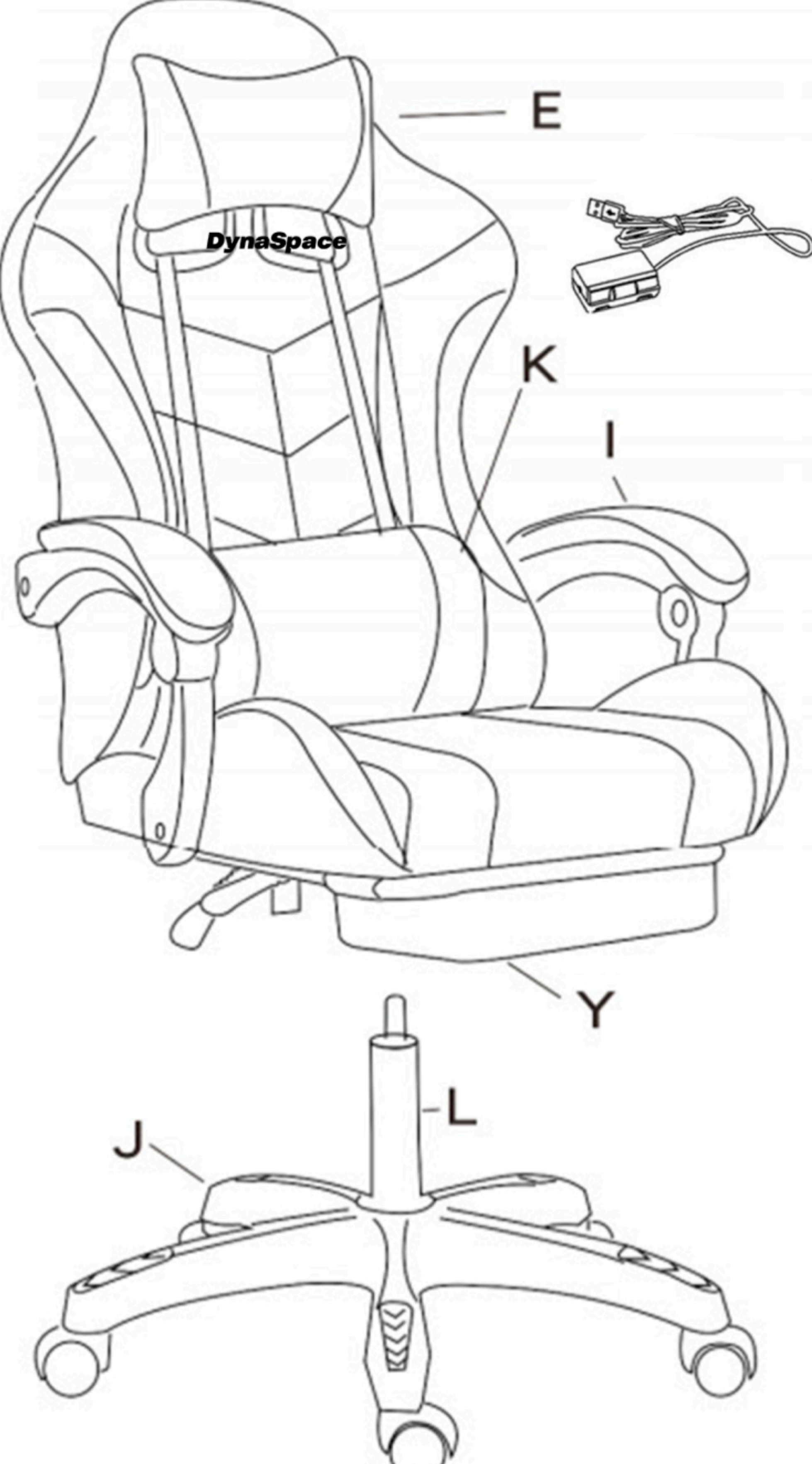
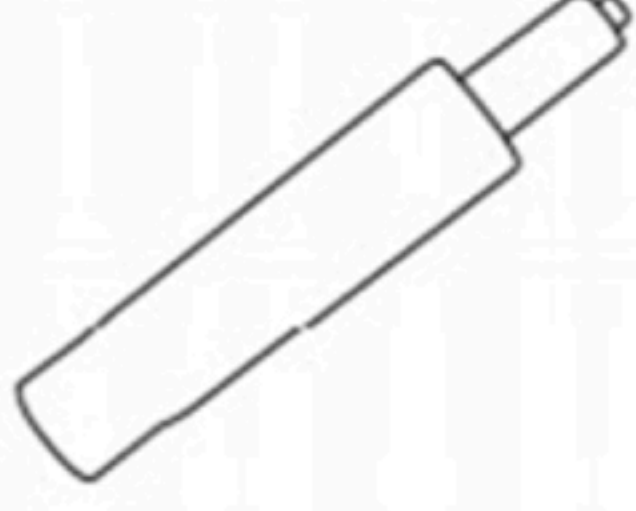

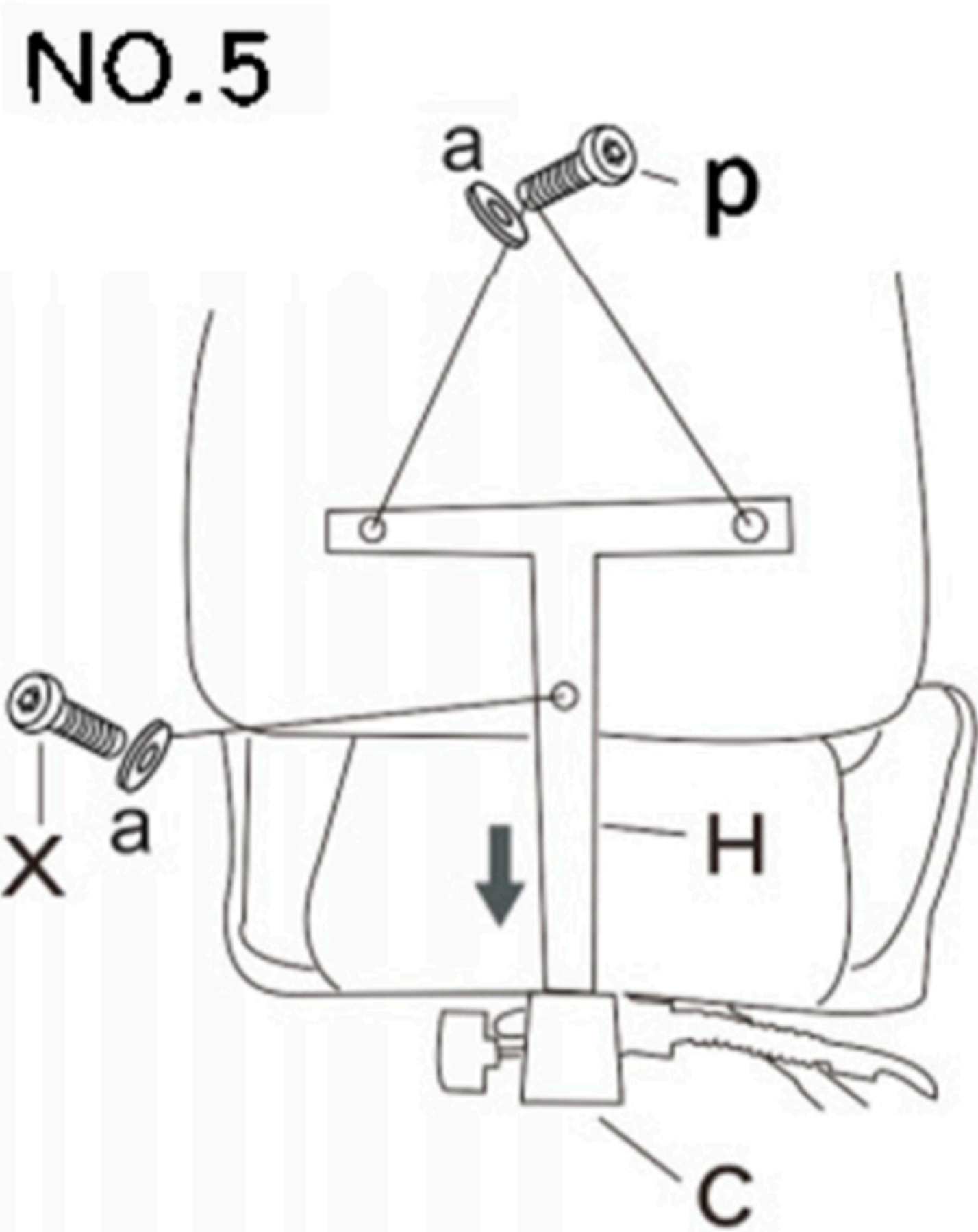
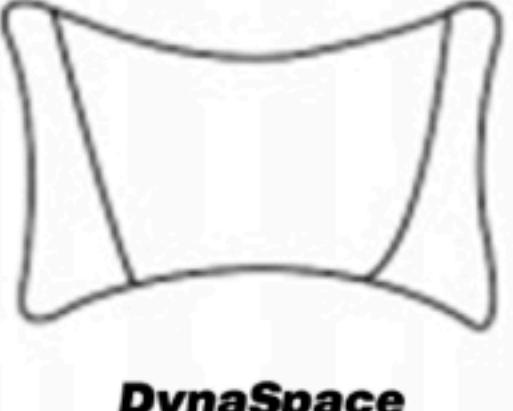

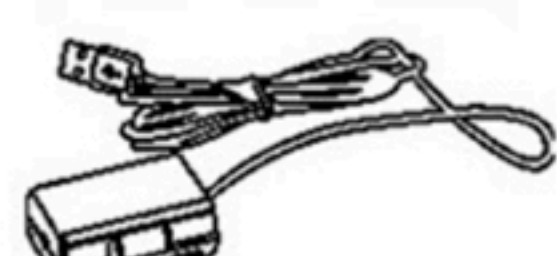


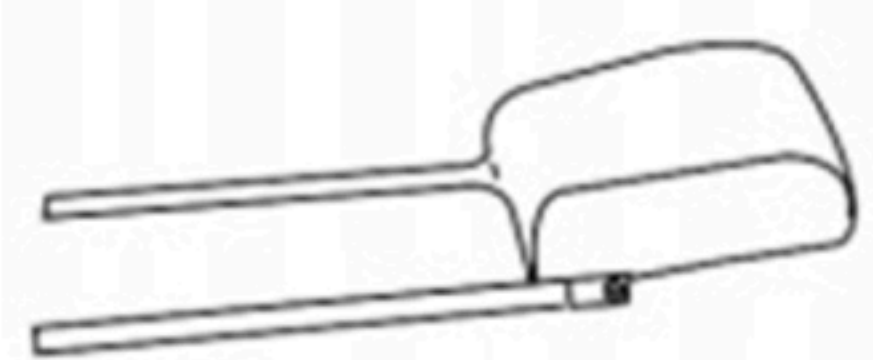







DynaSpace



www.spacegeneral.co.nz

INSTALLATION

PARTES		INSTALLATION STEP DIAGRAM	
A*1 	I*2 	NO.1 	NO.2 
B*1 	J*1 	NO.3 	NO.6 
C*1 	H*1 	NO.4 	NO.7 
L*1 	O*1 	NO.5 	
E*1  <i>DynaSpace</i>	X*5 (M6*35) 		
K*1  	Z*4 (M6*20) 		
Y*1 	P*6 M6*25 		
G*5 	O*1 (5*12) 		
	N*2 		
	a*3  3pcs		