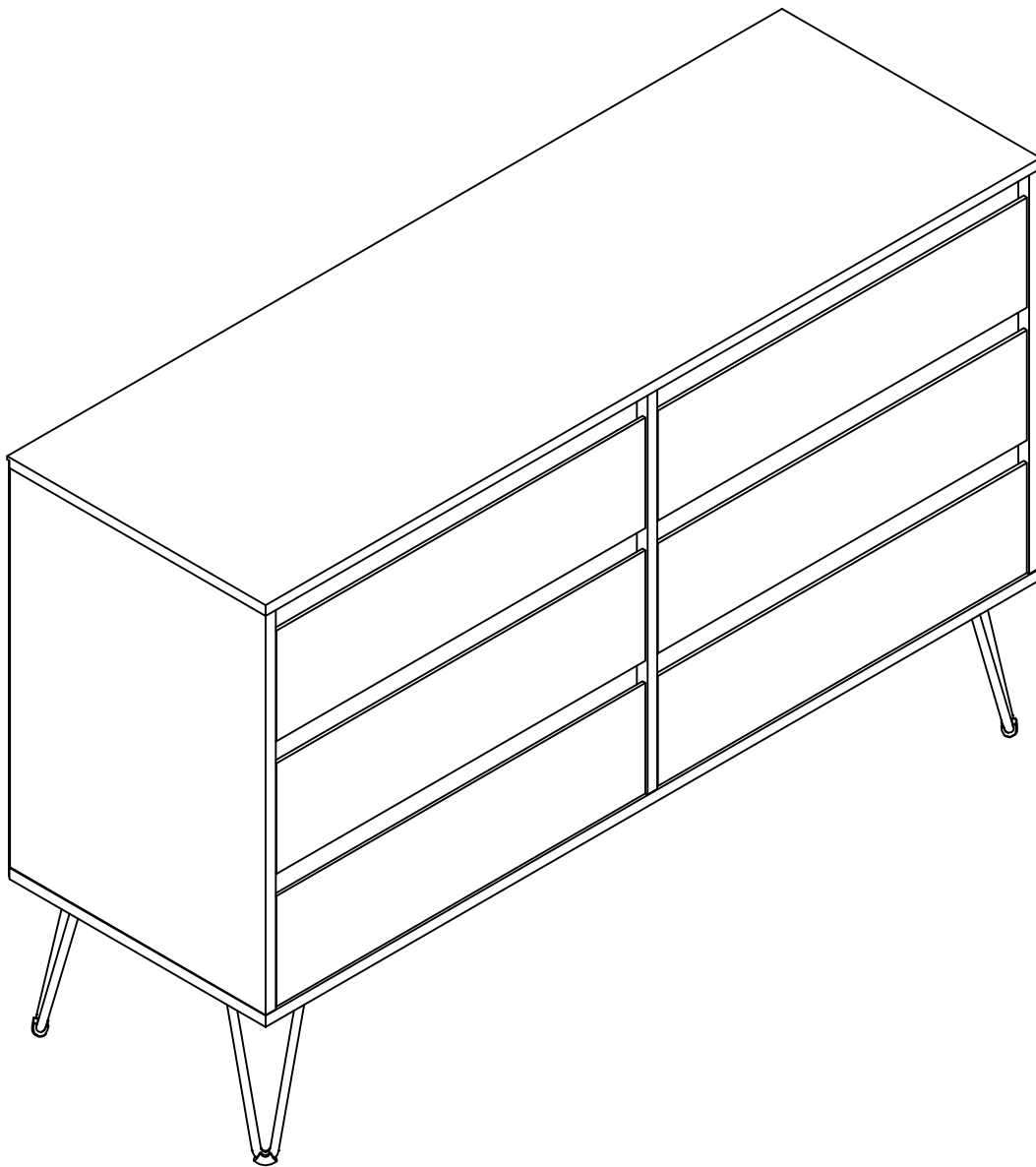


3+3 Drawers Chest

Assembly Instructions - Thank you for your purchase.
Please follow the instructions below for correct assembly.

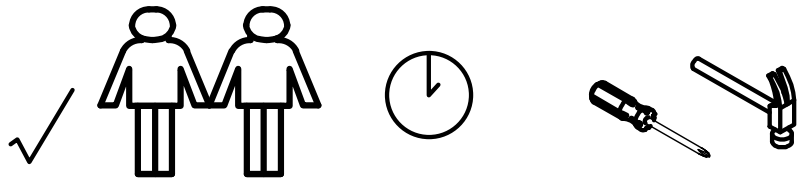
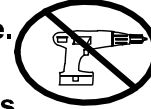


Space General

Safety and Care Advice

IMPORTANT - Please Read This Instruction Carefully Before Assembly.

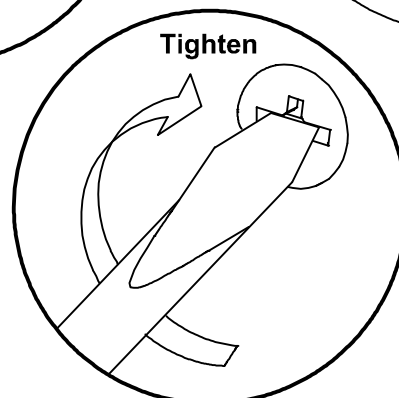
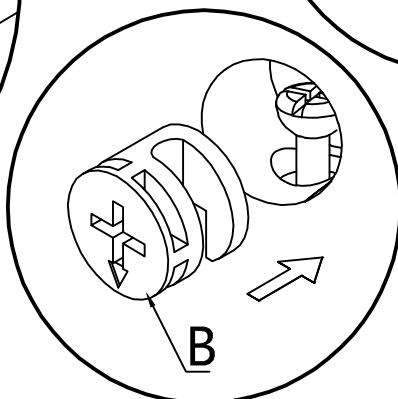
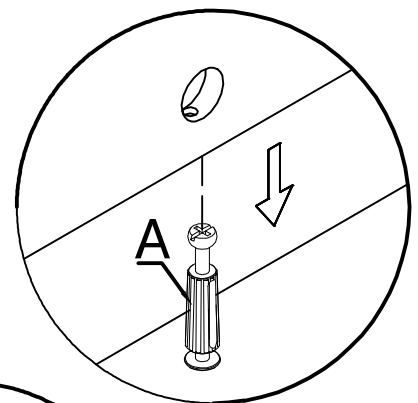
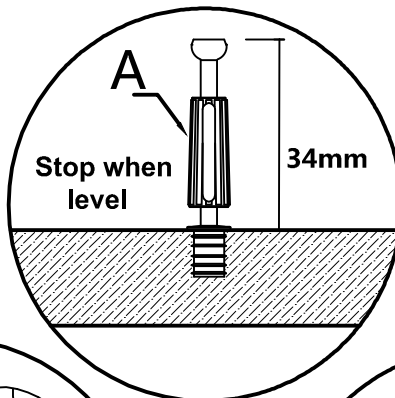
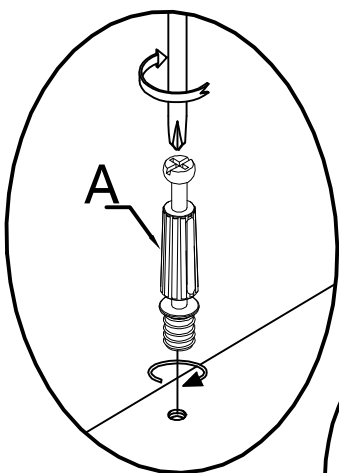
- Check you have all the components and tools listed on page 3.
- Remove all settings from the plastic bags and separate them into their groups.
- Keep children and animals away from the work area, small parts could choke if swallowed.
- Make sure you have enough space to layout the parts before assembly.
- Do not stand or put weight on the product, this could cause damage.
- Assemble the item as close to it's intended position (in the same room) as possible.
- Assemble on a soft level surface to avoid damaging the unit.
- Parts of the assembly will be easier with 2 people.
- Do not use power drill/drivers for assembly, or the unit may be damaged.
- Dispose of all packaging carefully and responsibly.



CARE and MAINTENANCE

- Only clean using a damp cloth and mild detergent, do not use bleach or abrasive cleaners.
- From time to time check that there are no loose screws on this unit.
- This product should not be discarded with household waste. Take to your local authority waste disposal center.

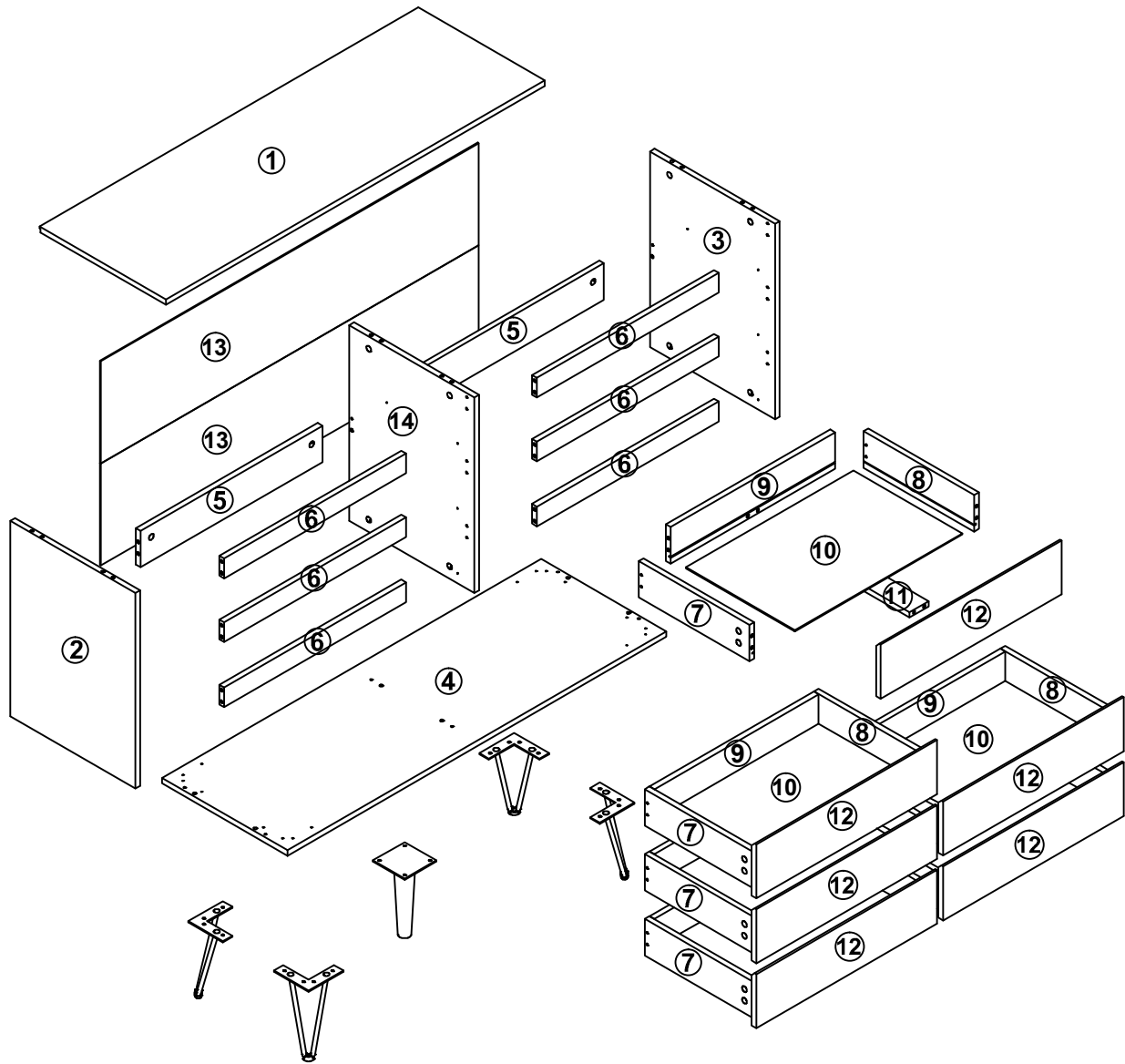
General Hints & Tips

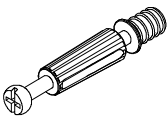
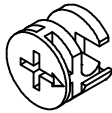
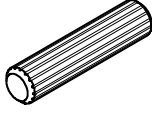
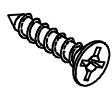
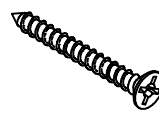
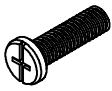
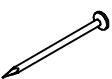
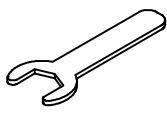
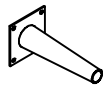


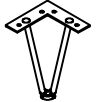


Components and Tools

IMPORTANT - Please Check If You Have All The Components and Tools.

Note: The quantities below are the correct amount to complete the assembly. In some cases more pieces may be supplied than are required.



A=64  Peg M6*34mm	B=64  Lock M15*12mm	C=40  Dowel M6*30mm	D=52  Screw M3.5*14mm	E=24  Screw M4*38	F=16  Screw
G=18  Pin	H=1  Wrench	I=1  Support Feet 205MM	CR CL DR DL=6  Drawer Runner	K=16  Screw Cap	L=4  Metal Feet

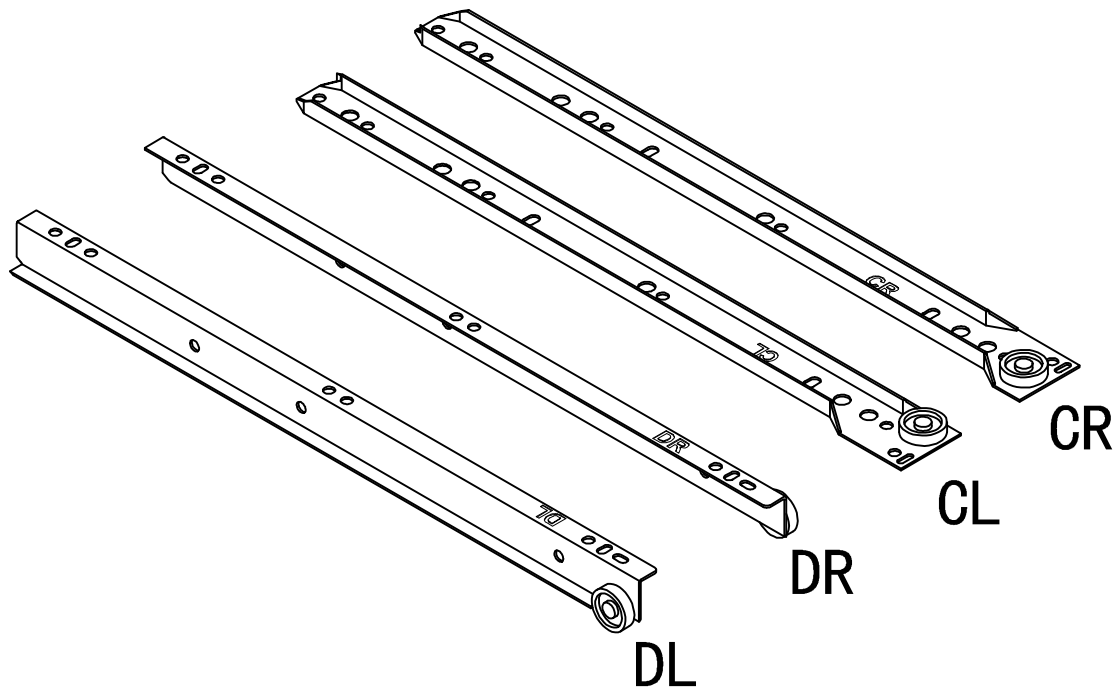
1OF2 ①,④,⑤X2,⑥X6,⑫X6,⑬X2,

2OF2 ②,③,⑦X6,⑧X6,⑨X6,⑩X6,⑪X6,⑭, FITTING KIT

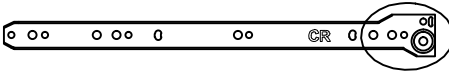
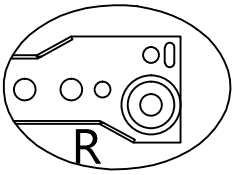
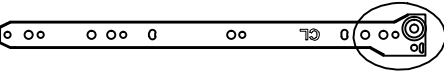
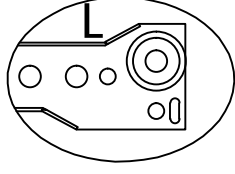

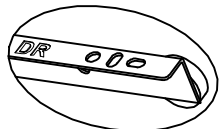
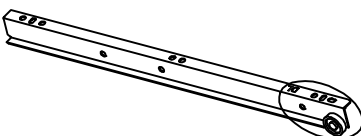
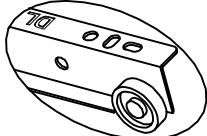
Drawer Runner Instruction

IMPORTANT - Please Read It Carefully.

NOTE:1 PAIR DRAWER RUNNER INCLUDES 4 PIECES.



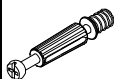
Fittings (not to scale)

NO.	DESCRIPTION	QTY		
CR	Outer Drawer Runner - Right	6PCS		
CL	Outer Drawer Runner - Left	6PCS		
DR	Inner Drawer Runner - Right	6PCS		
DL	Inner Drawer Runner - Left	6PCS		

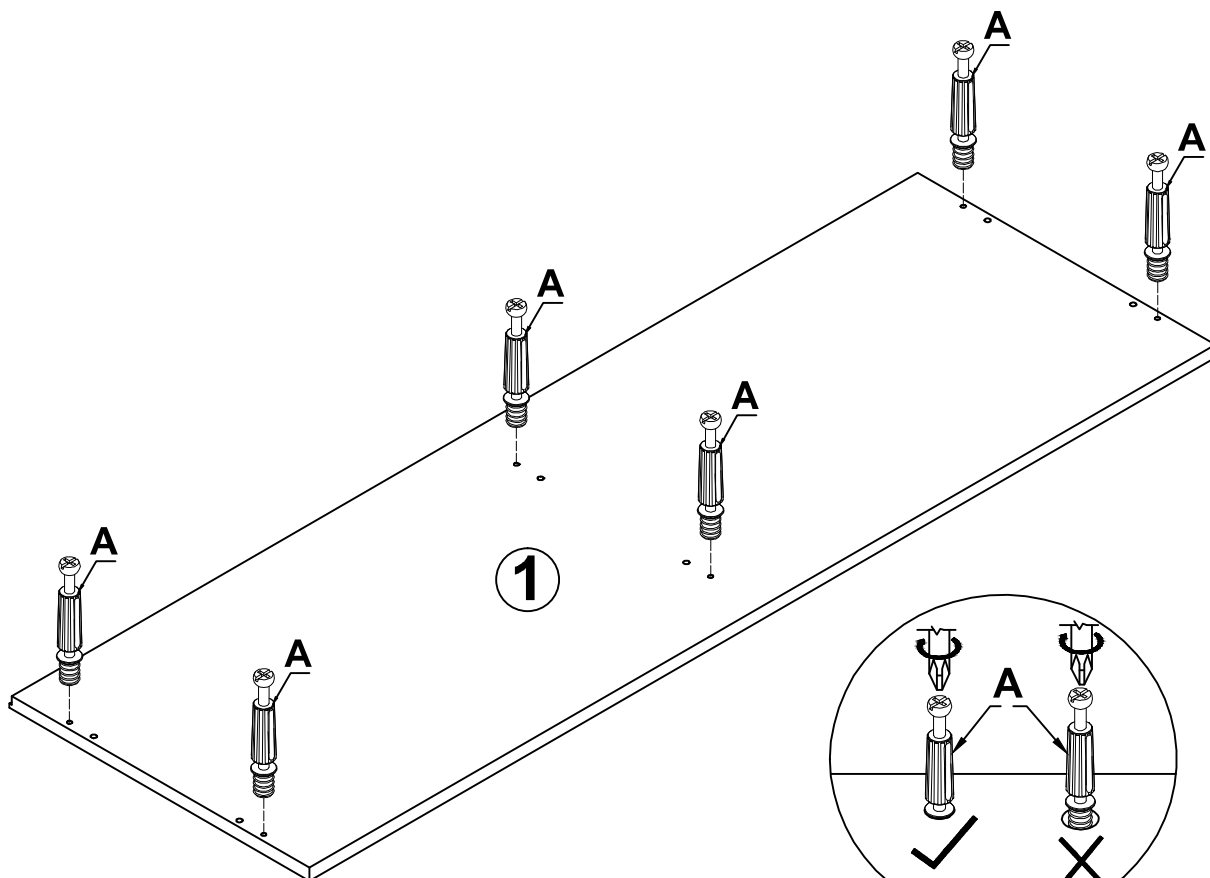
Assembly Instruction

Step 1

A=6



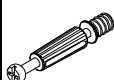
Peg



Step 2

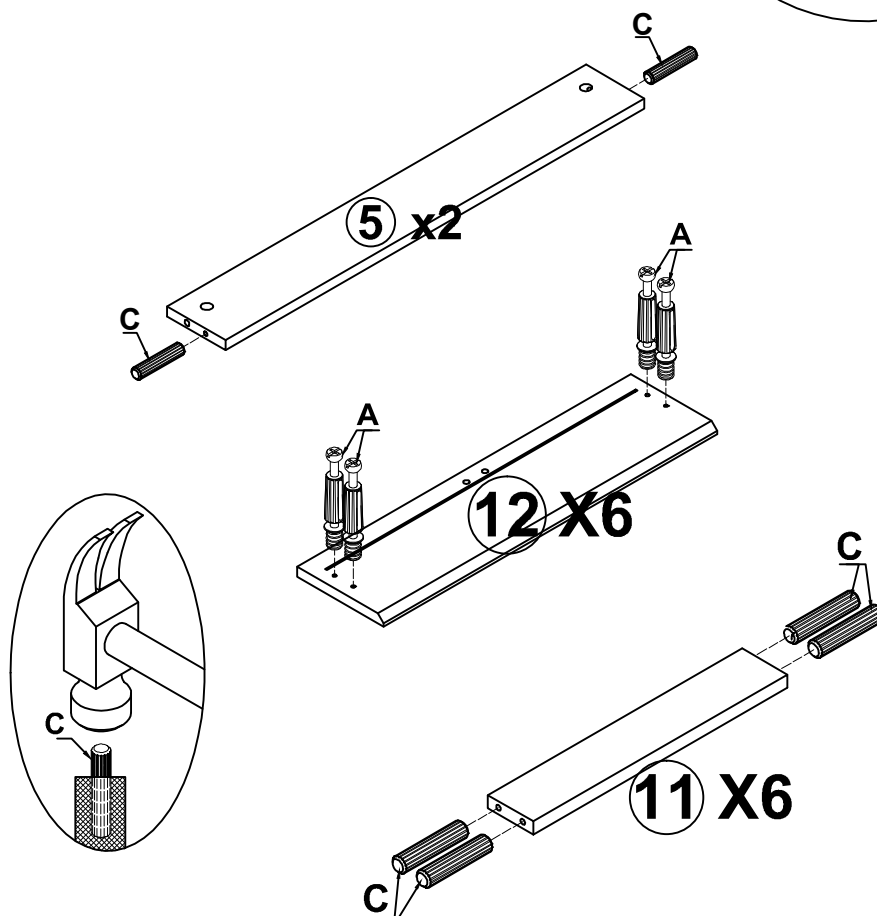
A=24

C=28



Peg

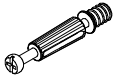
Dowel



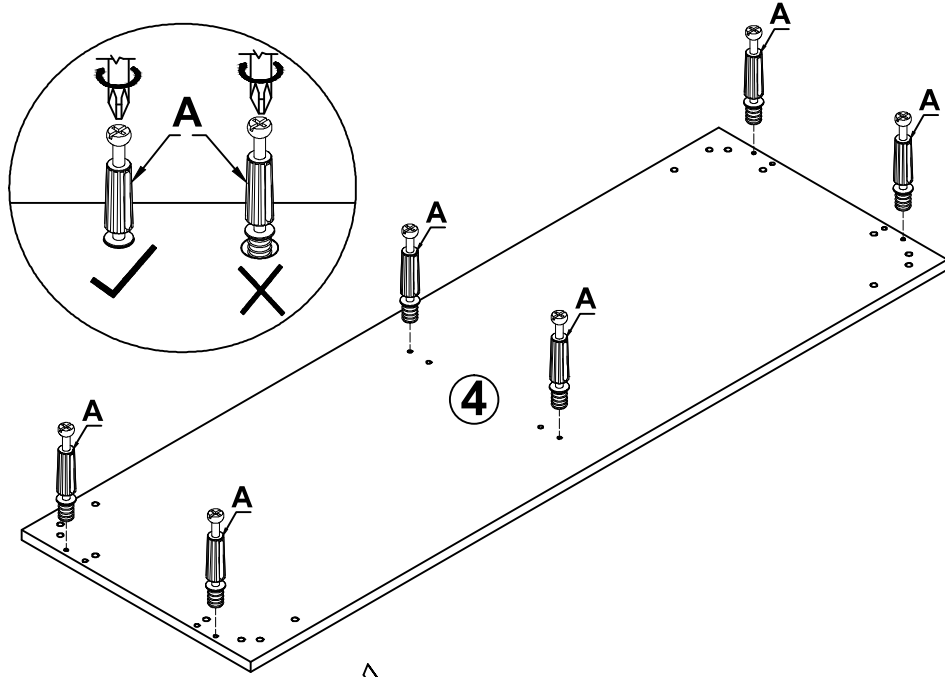
Assembly Instruction

Step 3

A=6



Peg



Step 4

D=4

F=16



Screw
M3.5*14mm

Screw

L=4

H=1

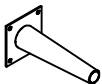


Metal Feet

Wrench

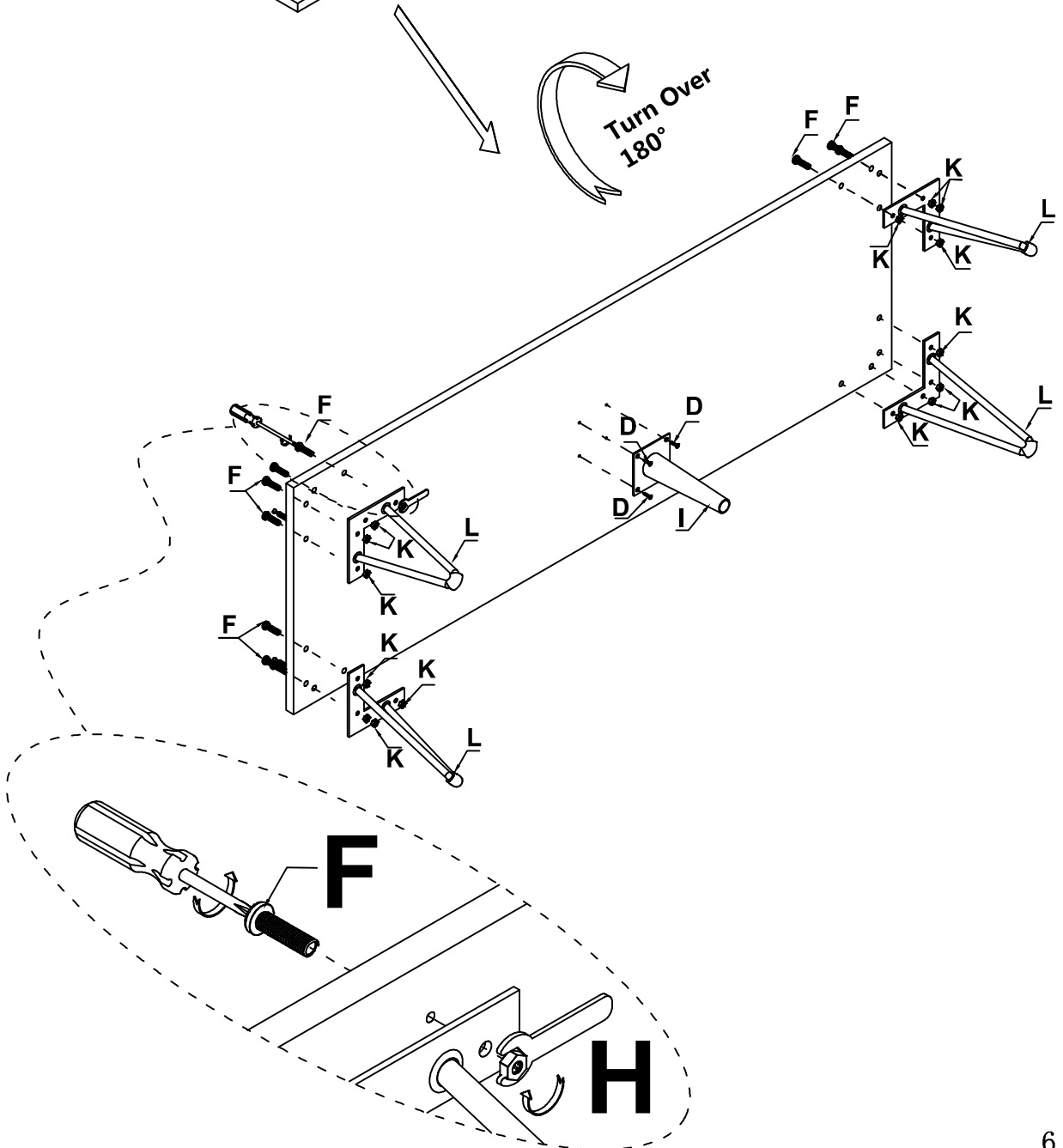
K=16

I=1



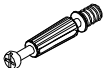

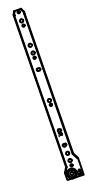

Screw Cap

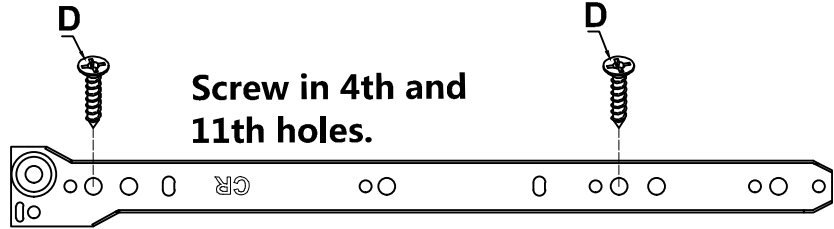
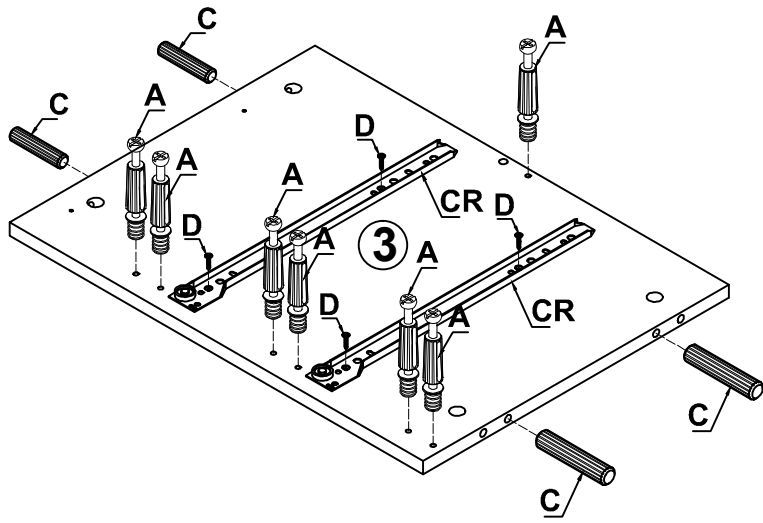
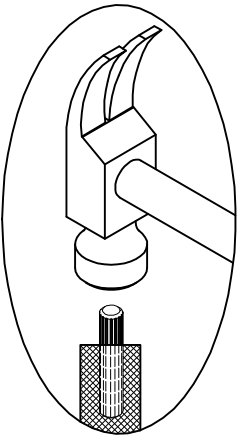
Support
Feet



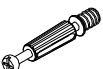

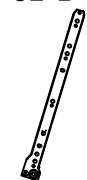

Assembly Instruction

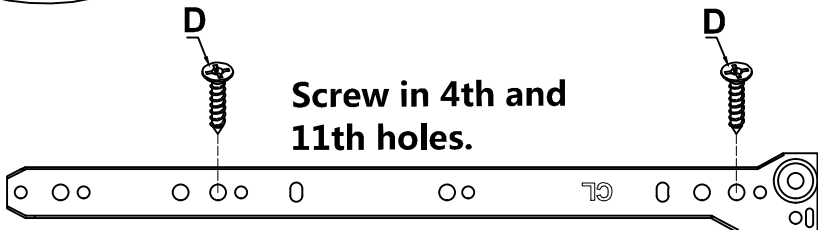
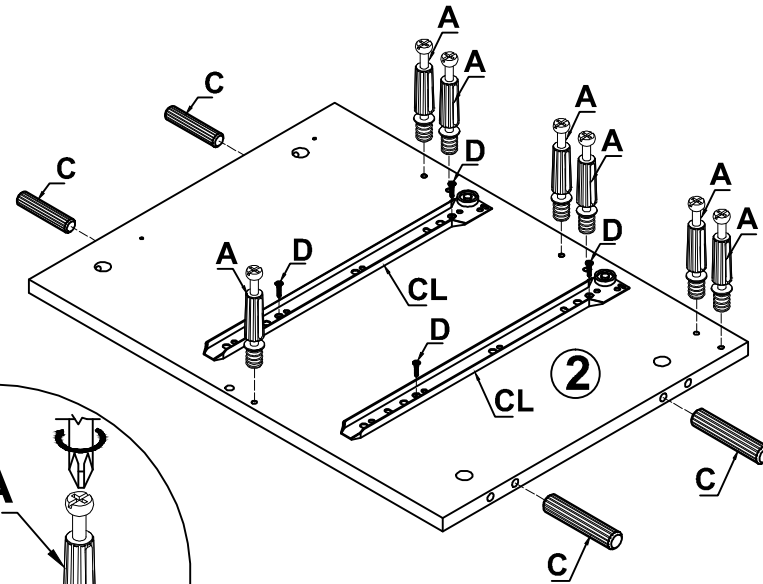
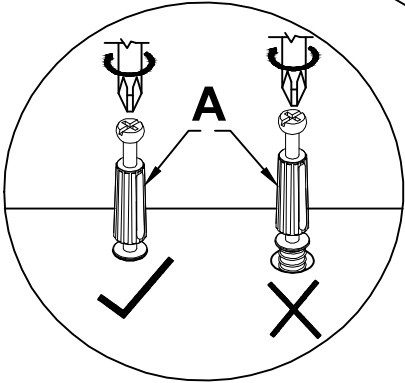
Step 5

A=7	C=4
	
Peg	Dowel
CR=2	D=4
	
Drawer Runner	Screw M3.5*14mm




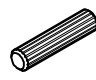
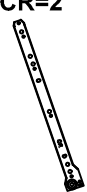

Step 6

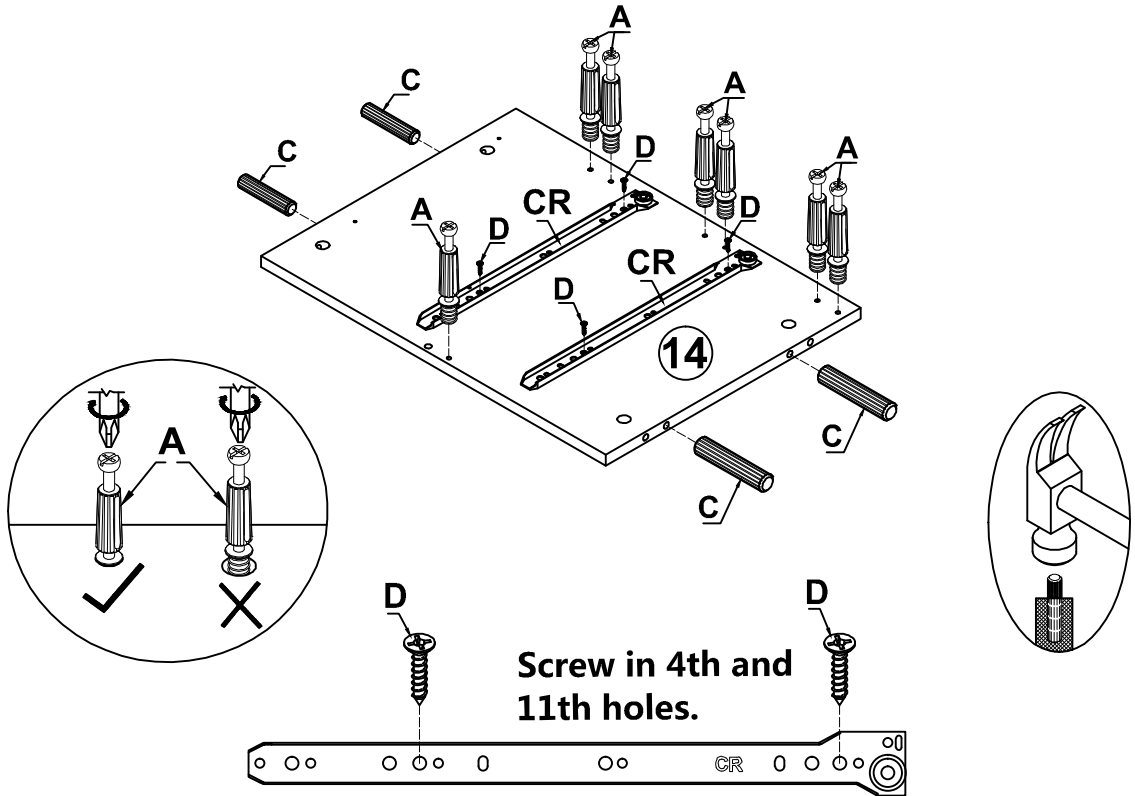
A=7	C=4
	
Peg	Dowel
CL=2	D=4
	
Drawer Runner	Screw M3.5*14mm



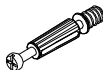

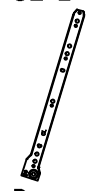
Assembly Instruction

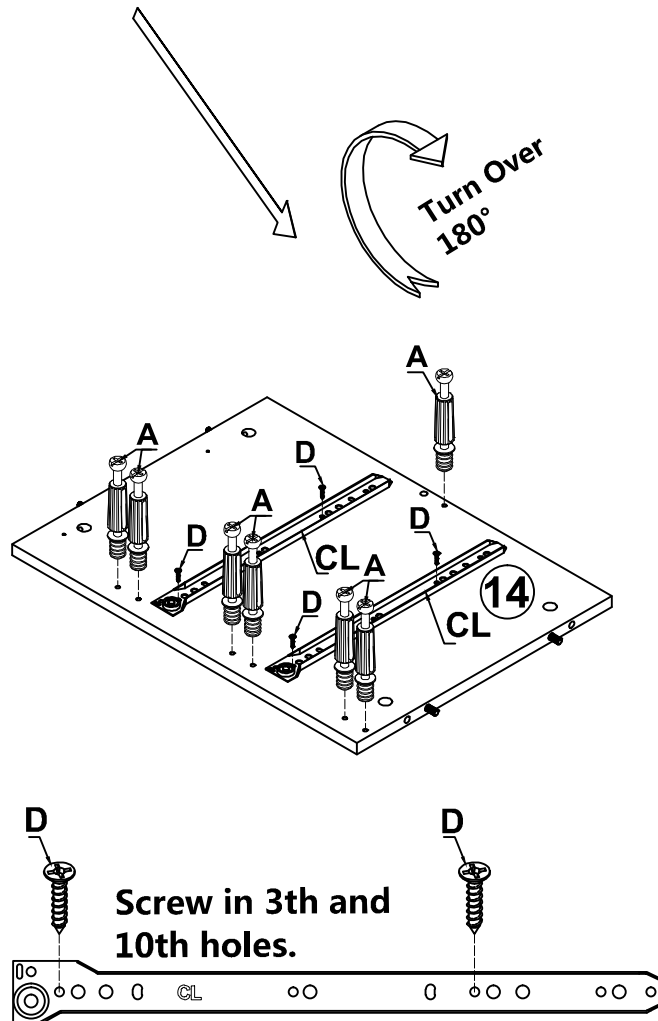
Step 7

A=7	C=4
	
Peg	Dowel
CR=2	D=4
	
Drawer Runner	Screw M3.5*14mm



Step 8

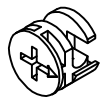
A=7	D=4
	
Peg	Screw M3.5*14mm
CL=2	
	
Drawer Runner	



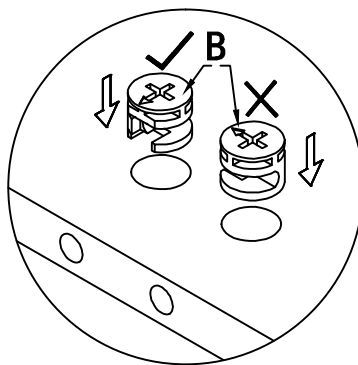
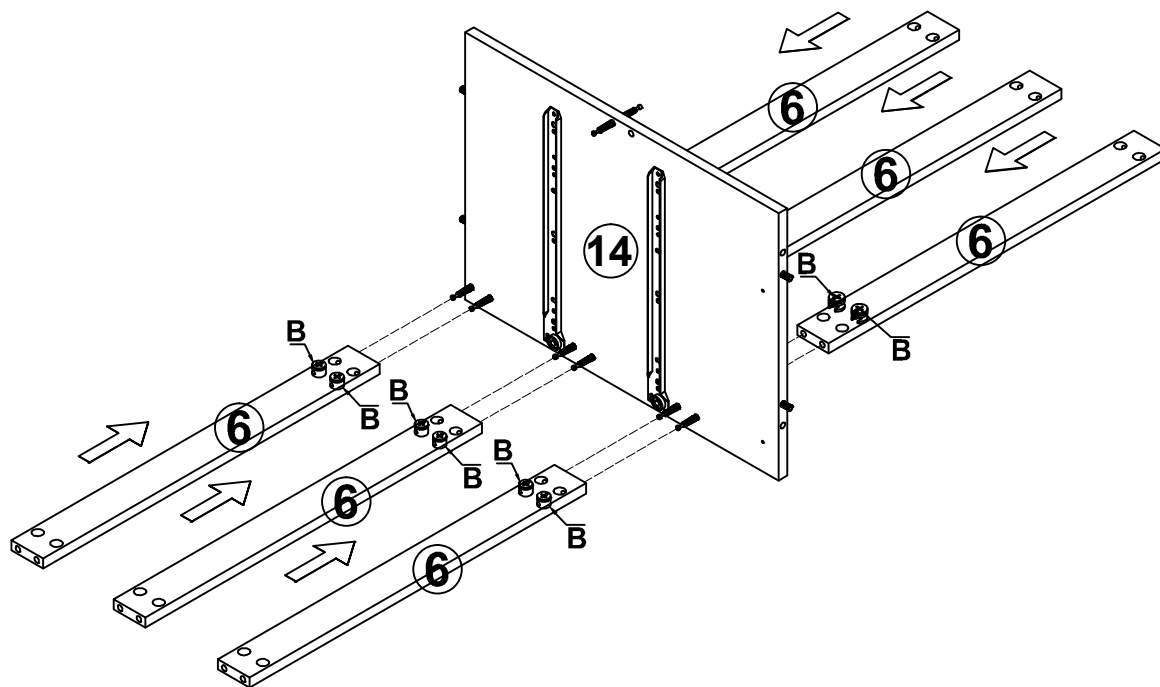
Assembly Instruction

Step 9

B=12



Lock

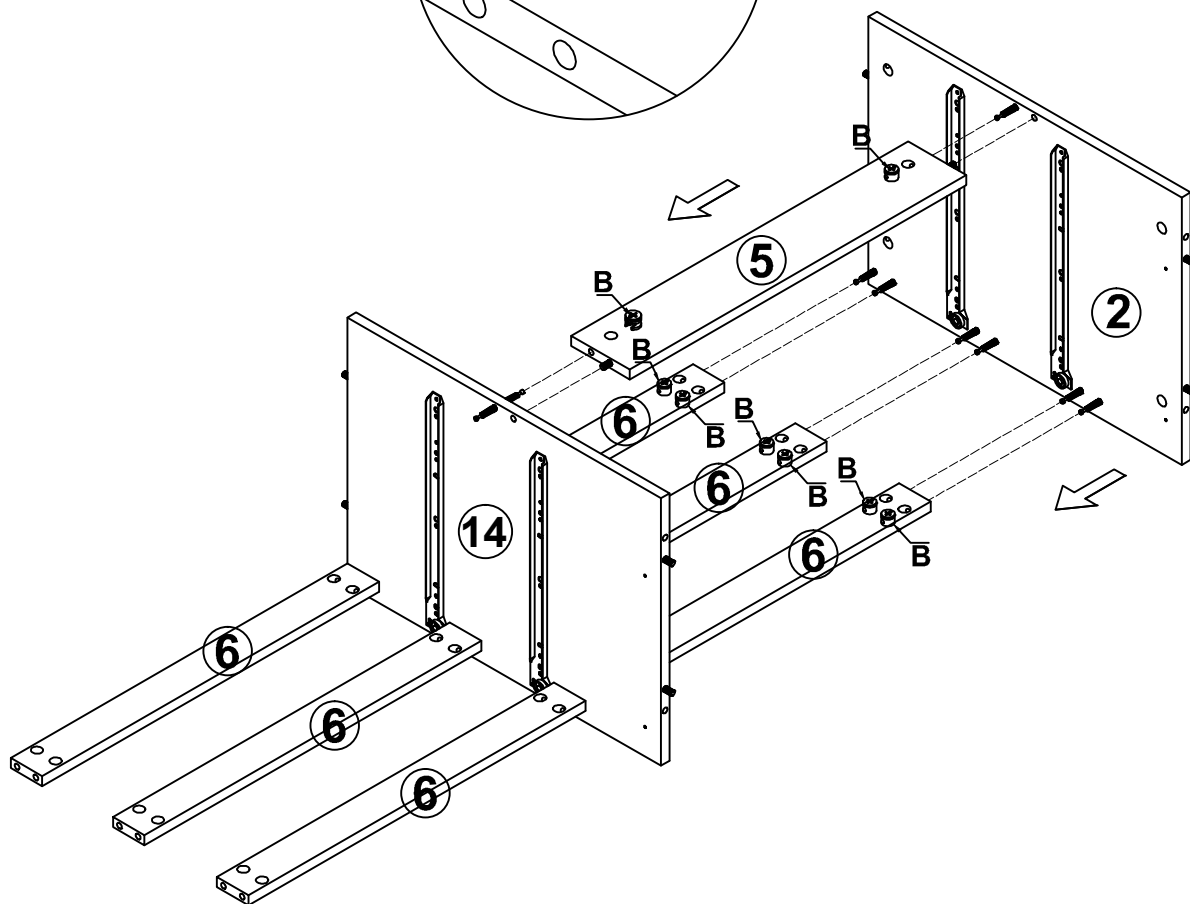


Step 10

B=8



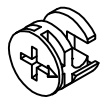
Lock



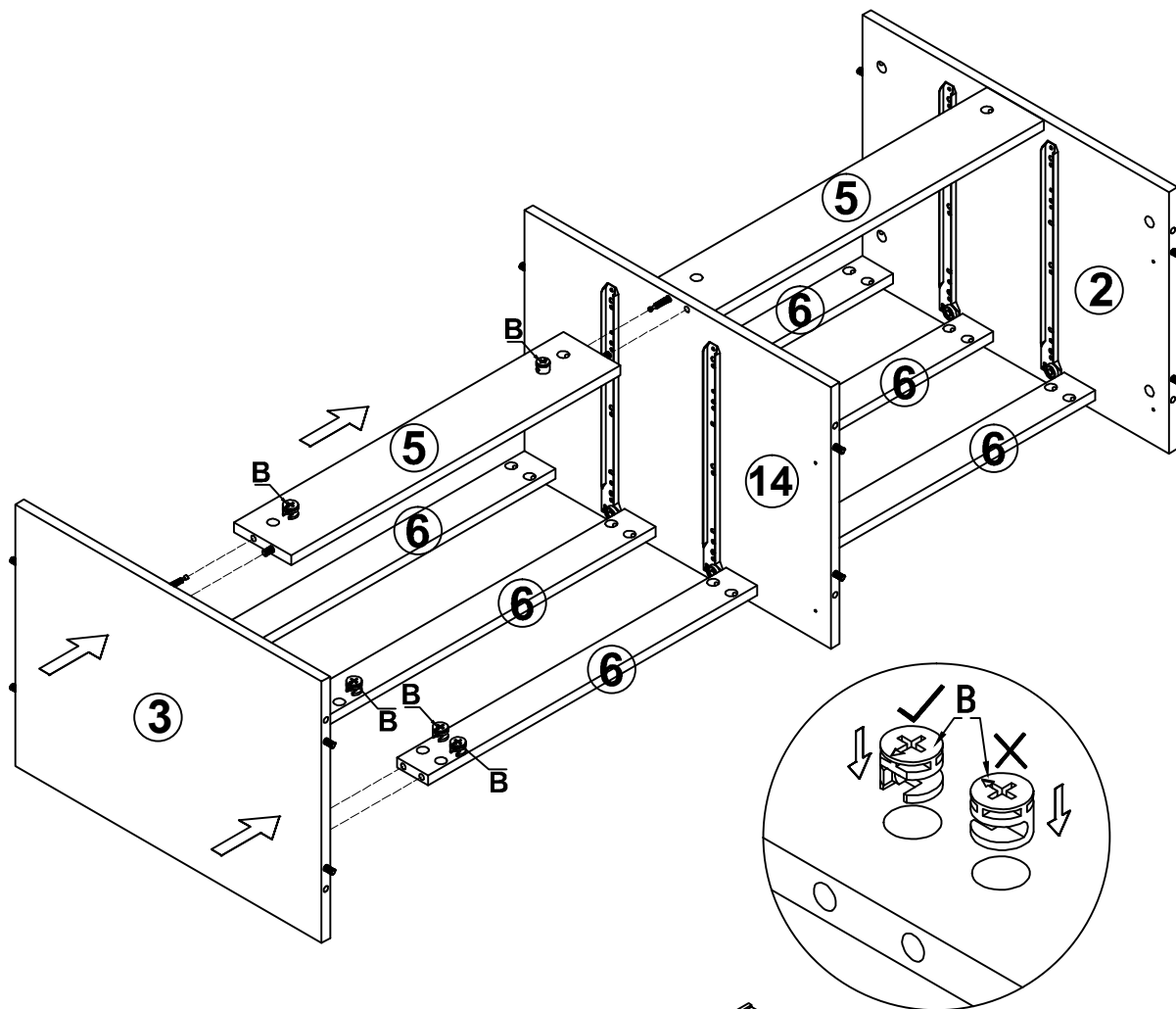
Assembly Instruction

Step 11

B=8

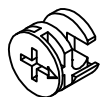


Lock

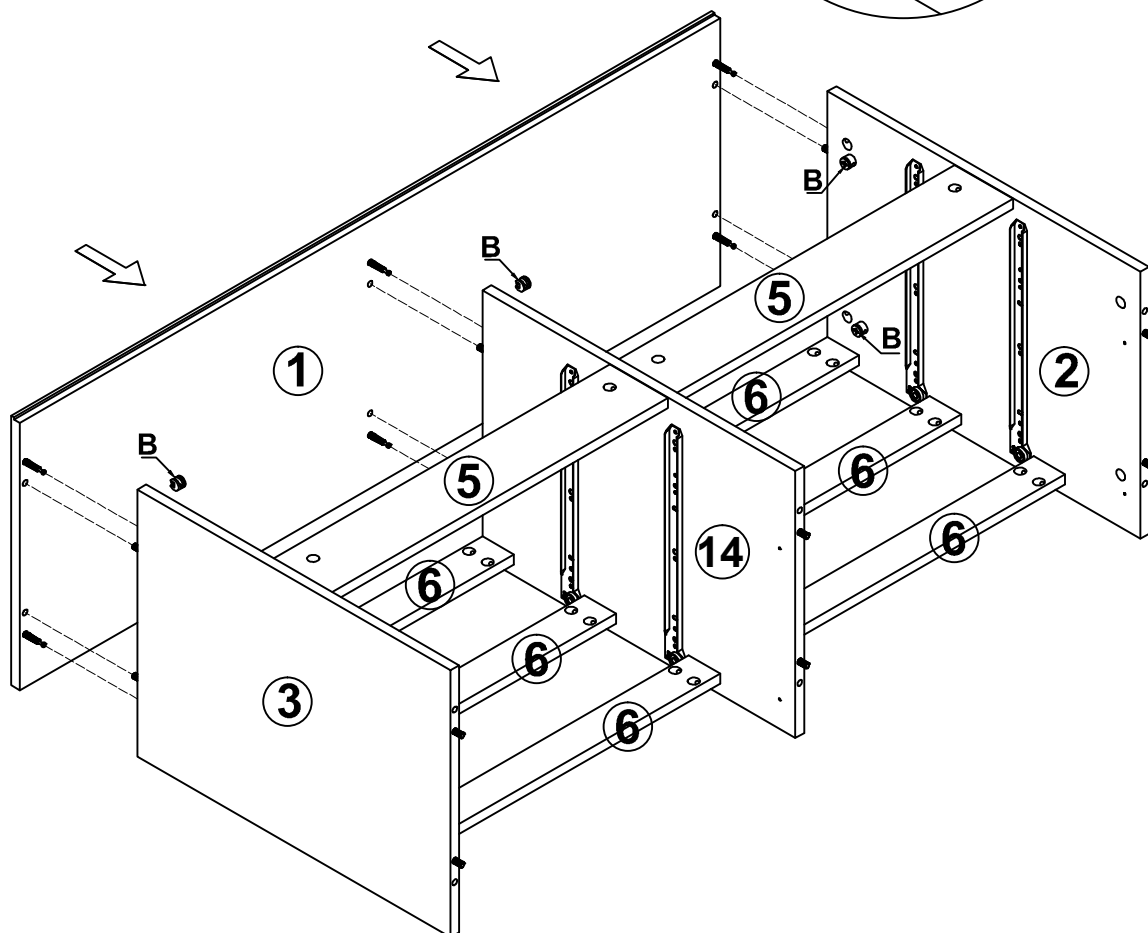


Step 12

B=6



Lock



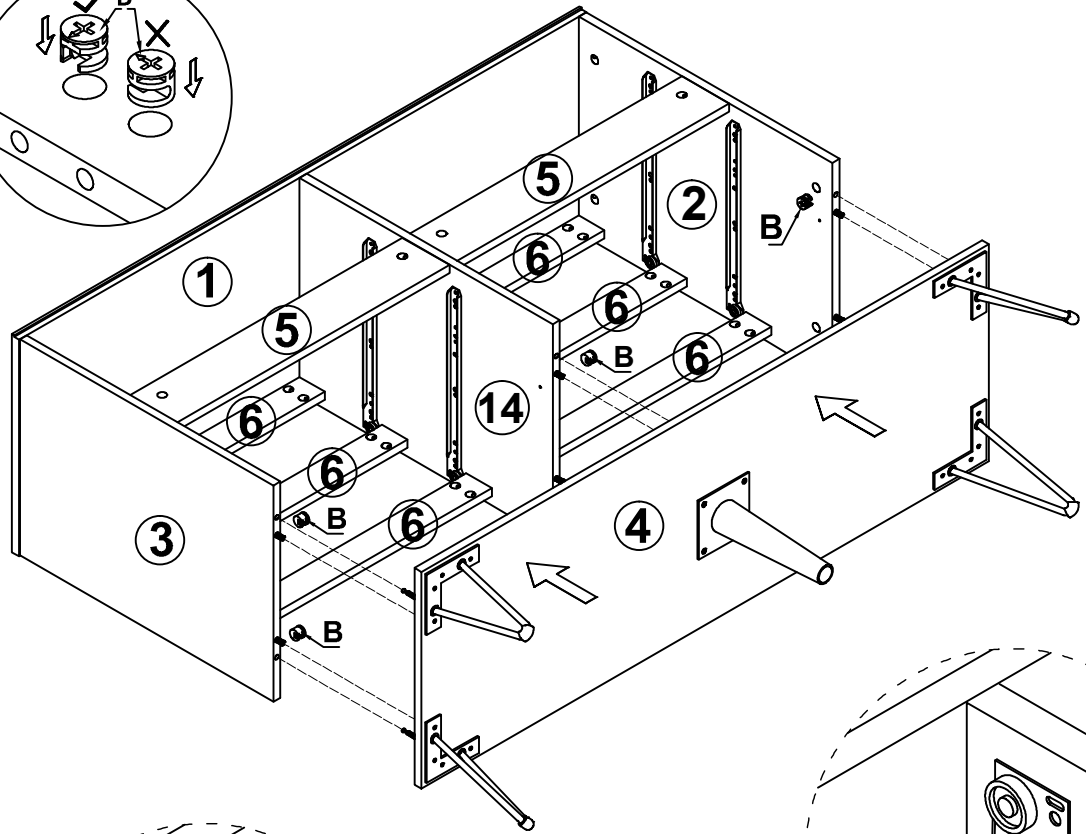
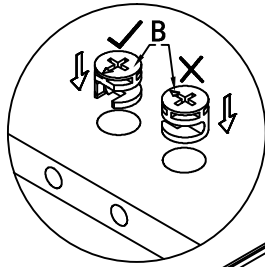
Assembly Instruction

Step 13

B=6



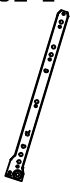
Lock



Step 14

CL=2

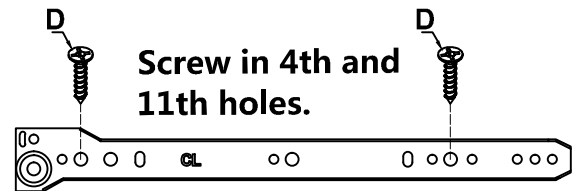
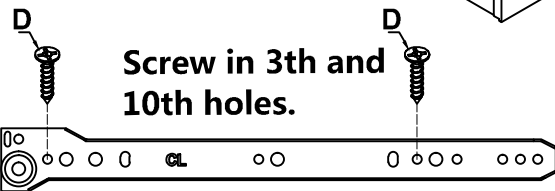
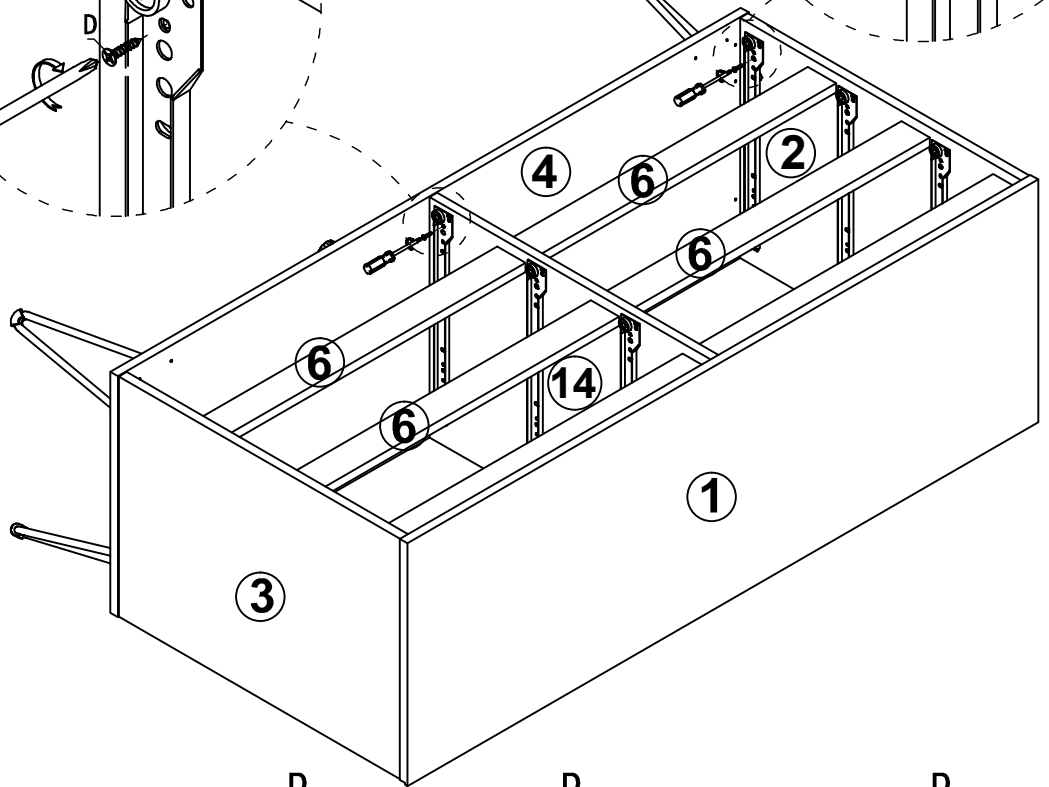
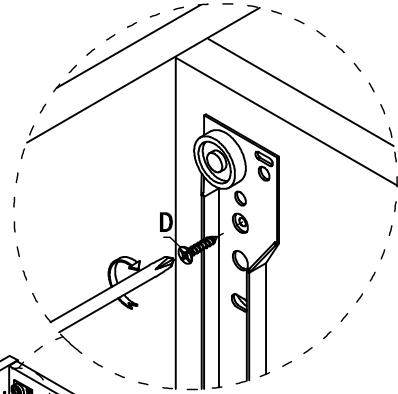
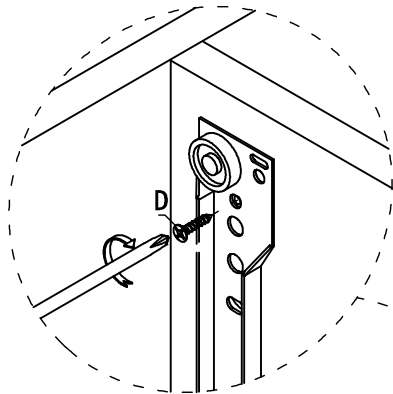
D=4



Drawer Runner



Screw
M3.5*14mm

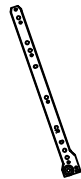


Assembly Instruction

Step 15

CR=2

D=4



Drawer Runner

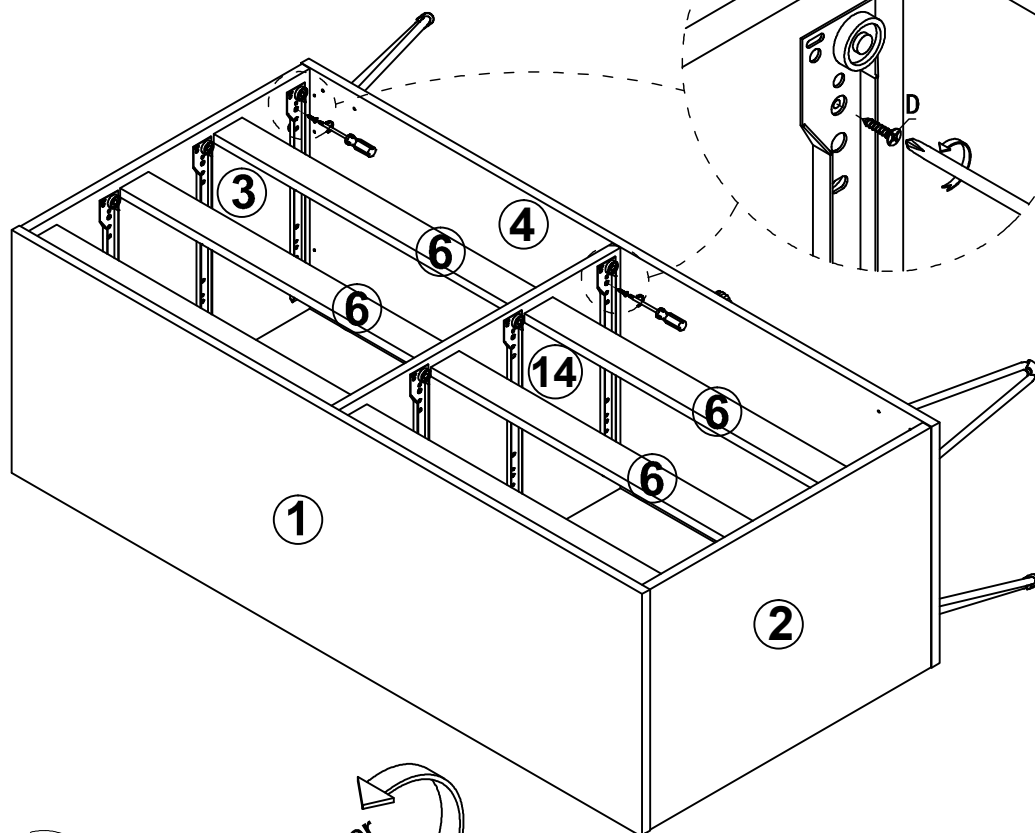
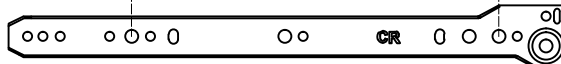


Screw M3.5*14mm

D

Screw in 4th and 11th holes.

D



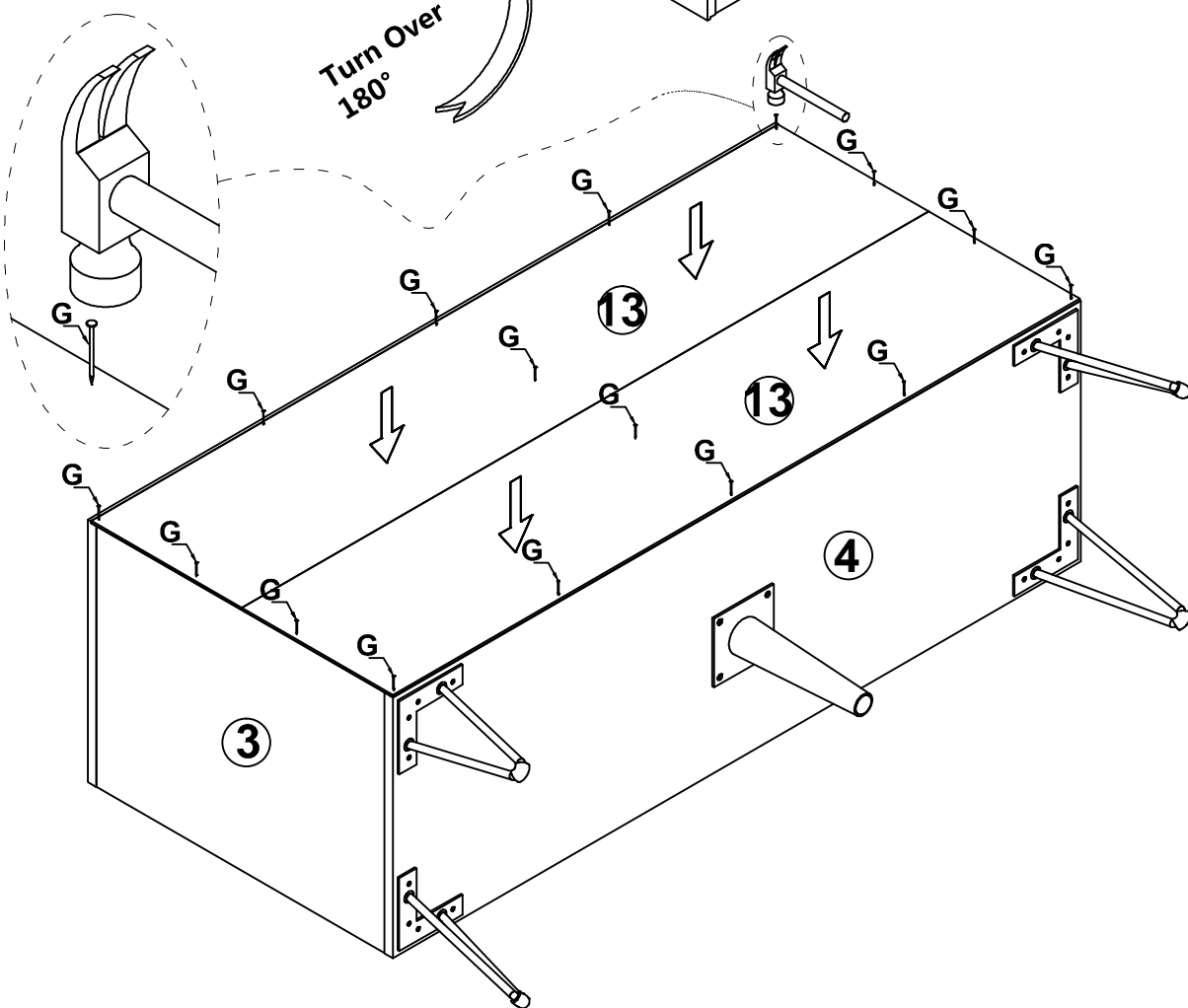
Step 16

G=18



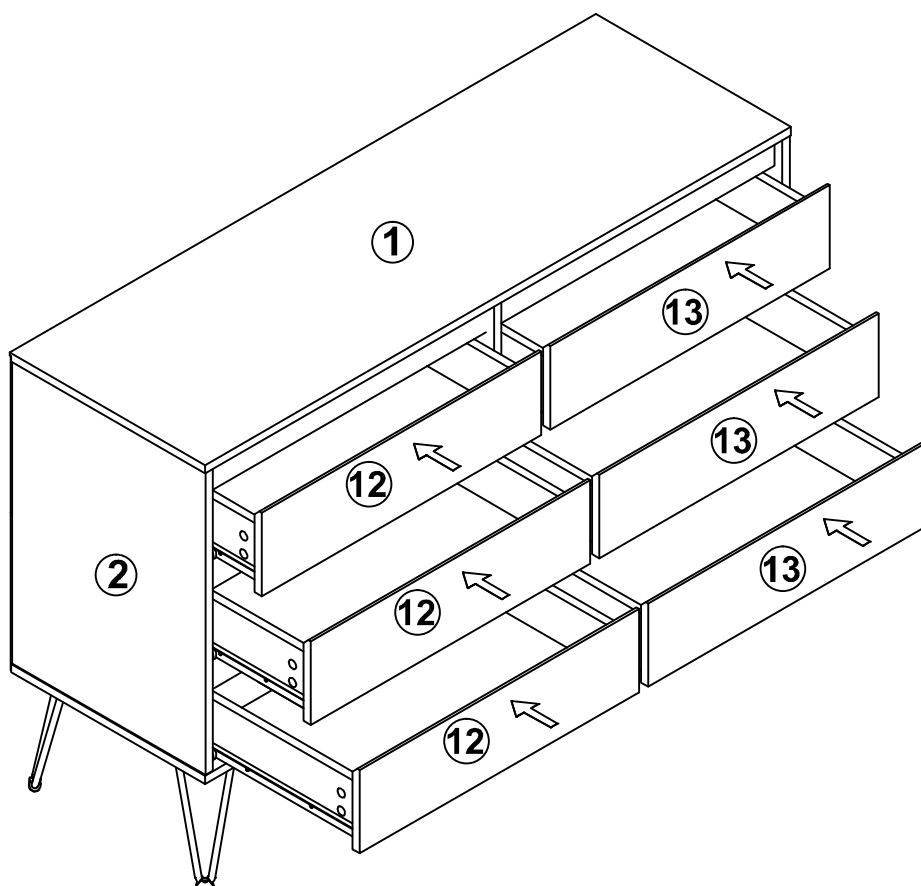
Pin

Turn Over
180°

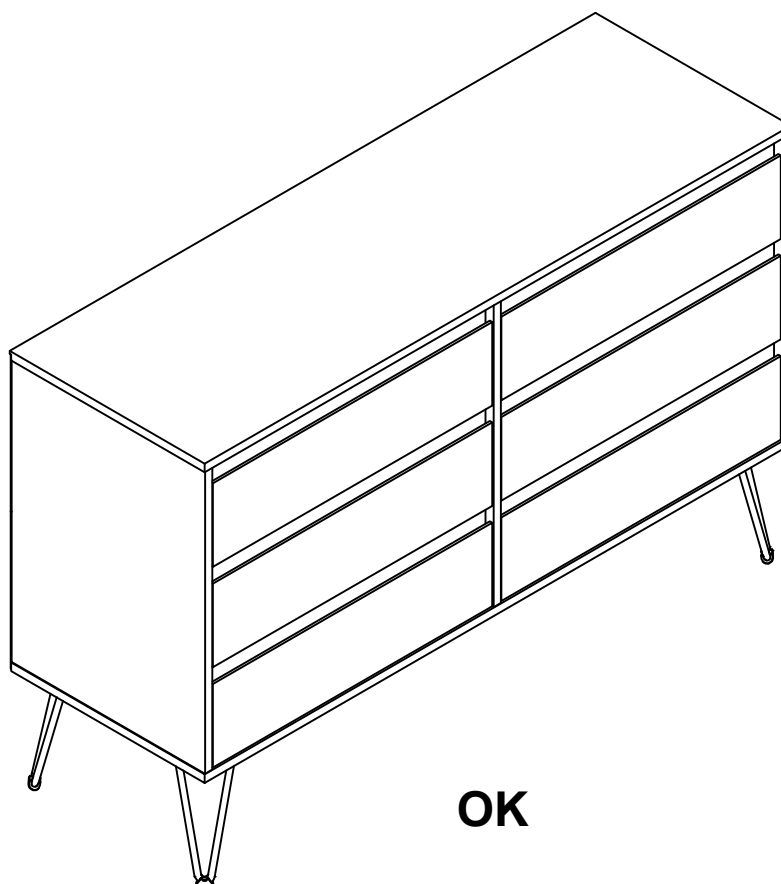


Assembly Instruction

Step 19



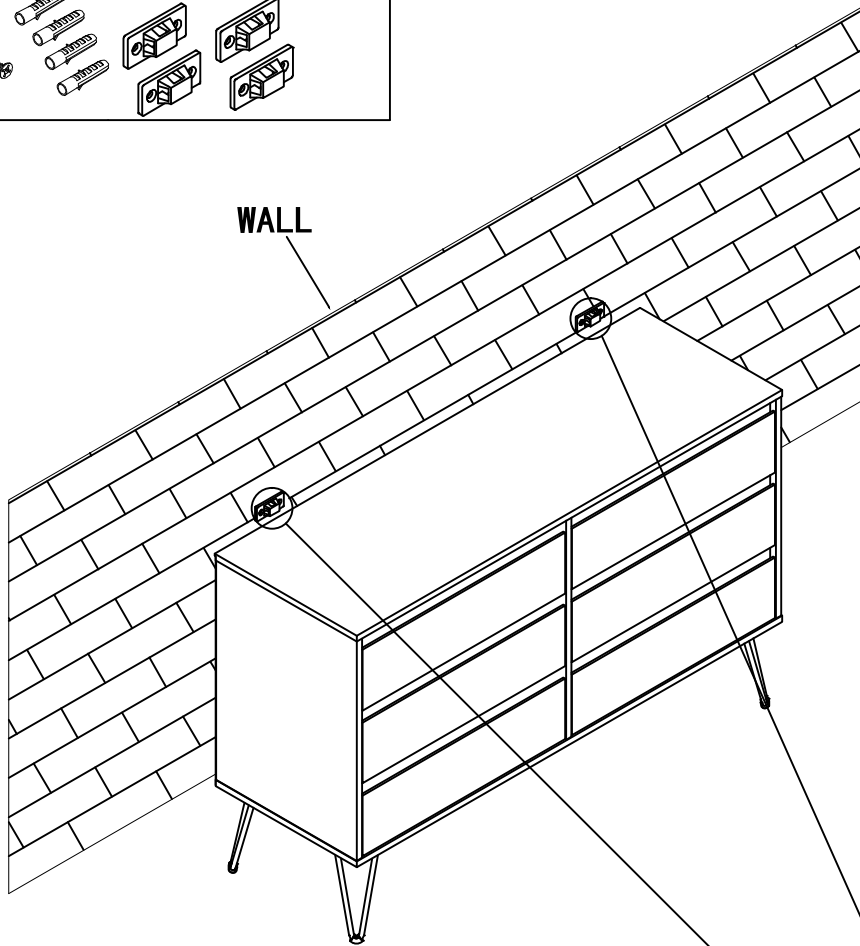
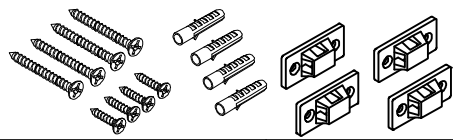
Step 20



P=1



Wall bracket



WALL

