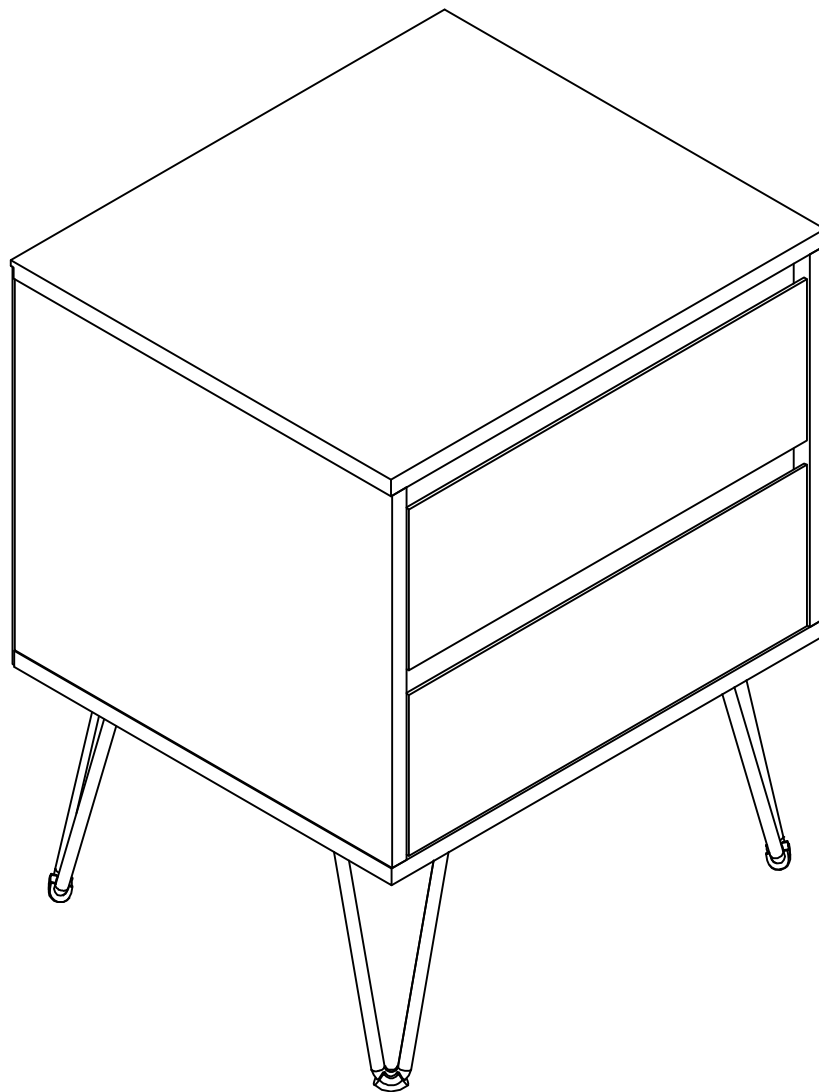


2 Drawers Bedside

Assembly Instructions - Thank you for your purchase.
Please follow the instructions below for correct assembly.

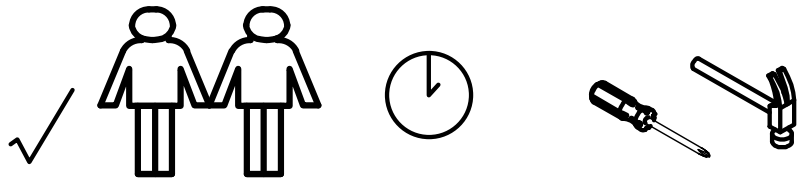
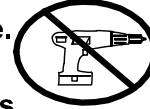


Space General

Safety and Care Advice

IMPORTANT - Please Read This Instruction Carefully Before Assembly.

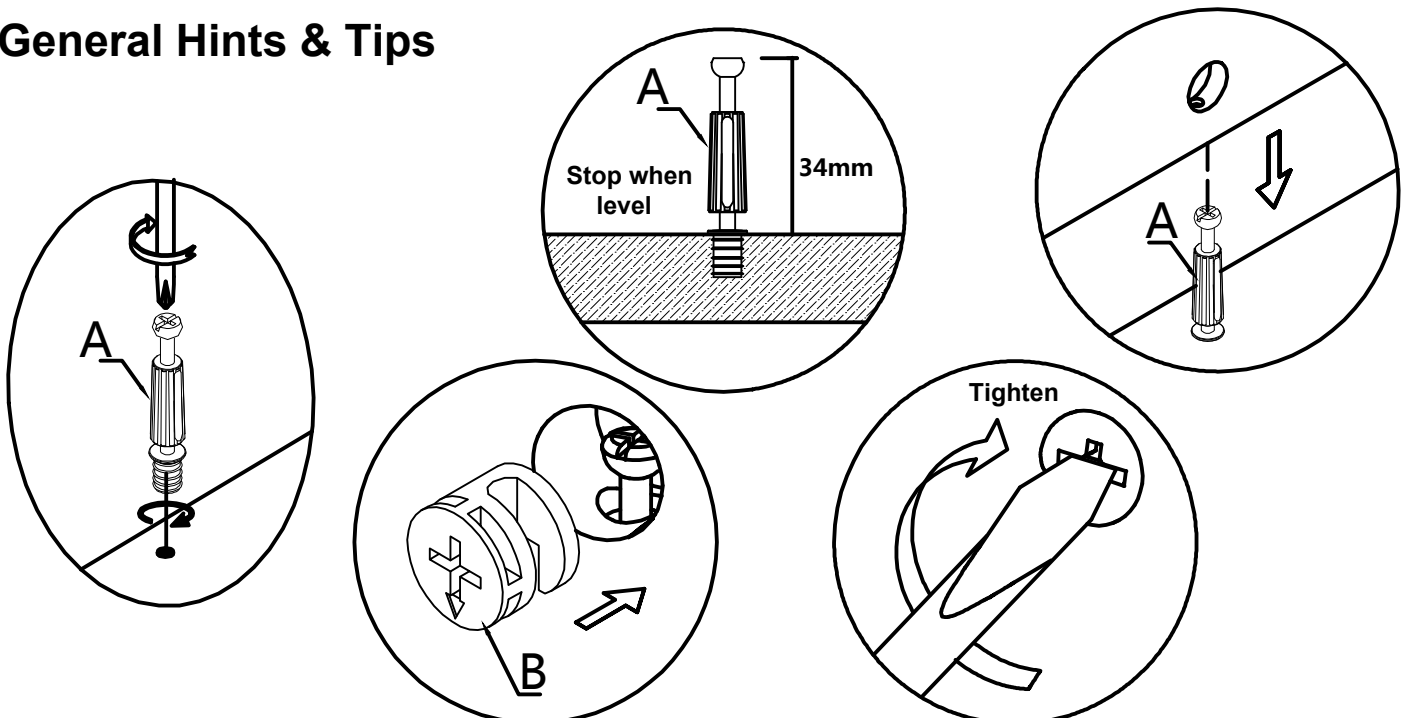
- Check you have all the components and tools listed on page 3.
- Remove all settings from the plastic bags and separate them into their groups.
- Keep children and animals away from the work area, small parts could choke if swallowed.
- Make sure you have enough space to layout the parts before assembly.
- Do not stand or put weight on the product, this could cause damage.
- Assemble the item as close to it's intended position (in the same room) as possible.
- Assemble on a soft level surface to avoid damaging the unit.
- Parts of the assembly will be easier with 2 people.
- Do not use power drill/drivers for assembly, or the unit may be damaged.
- Dispose of all packaging carefully and responsibly.



CARE and MAINTENANCE

- Only clean using a damp cloth and mild detergent, do not use bleach or abrasive cleaners.
- From time to time check that there are no loose screws on this unit.
- This product should not be discarded with household waste. Take to your local authority waste disposal center.

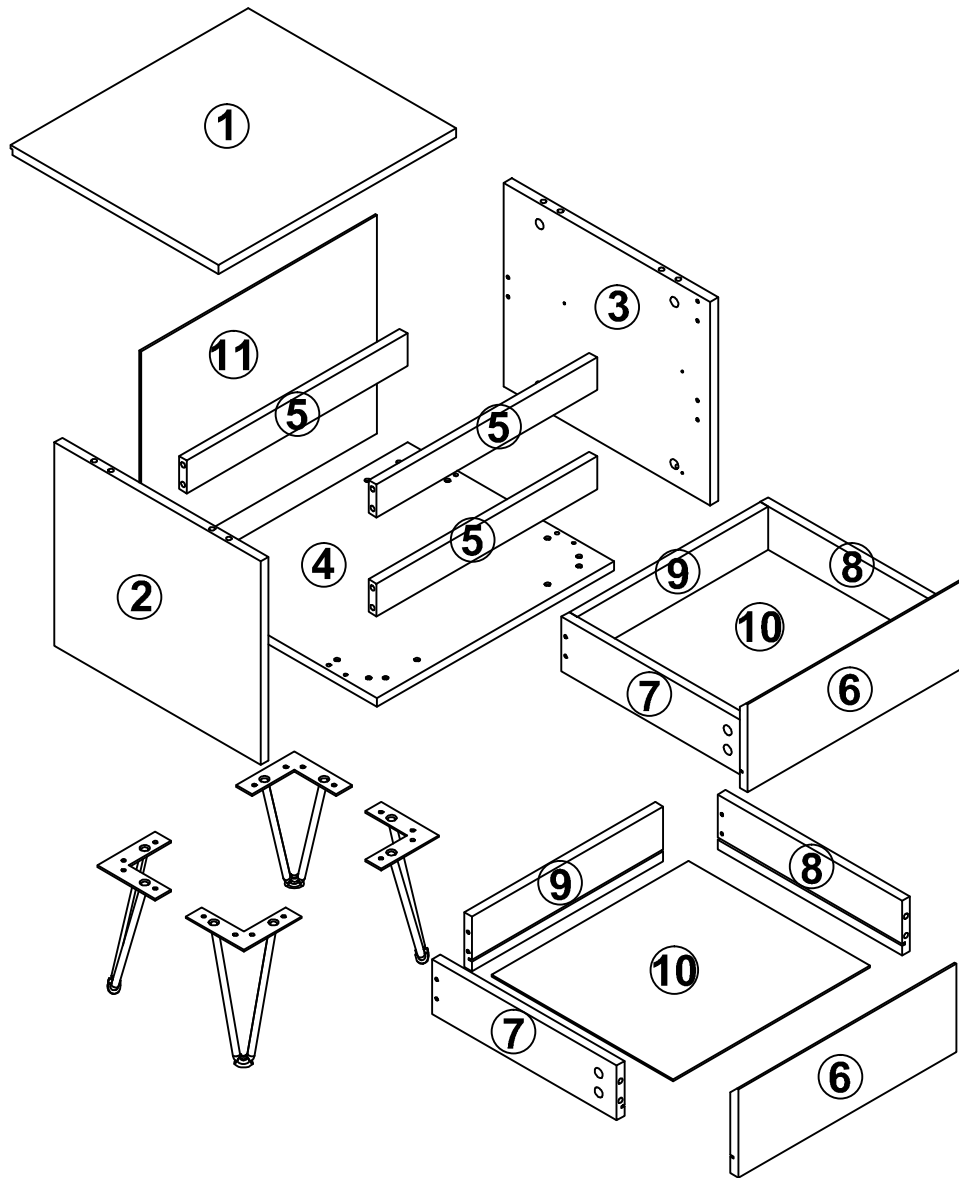
General Hints & Tips

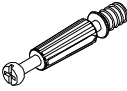
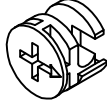
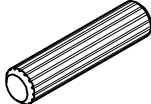




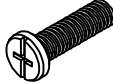
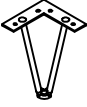
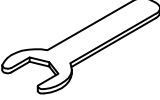



Components and Tools

IMPORTANT - Please Check If You Have All The Components and Tools.

Note: The quantities below are the correct amount to complete the assembly. In some cases more pieces may be supplied than are required.

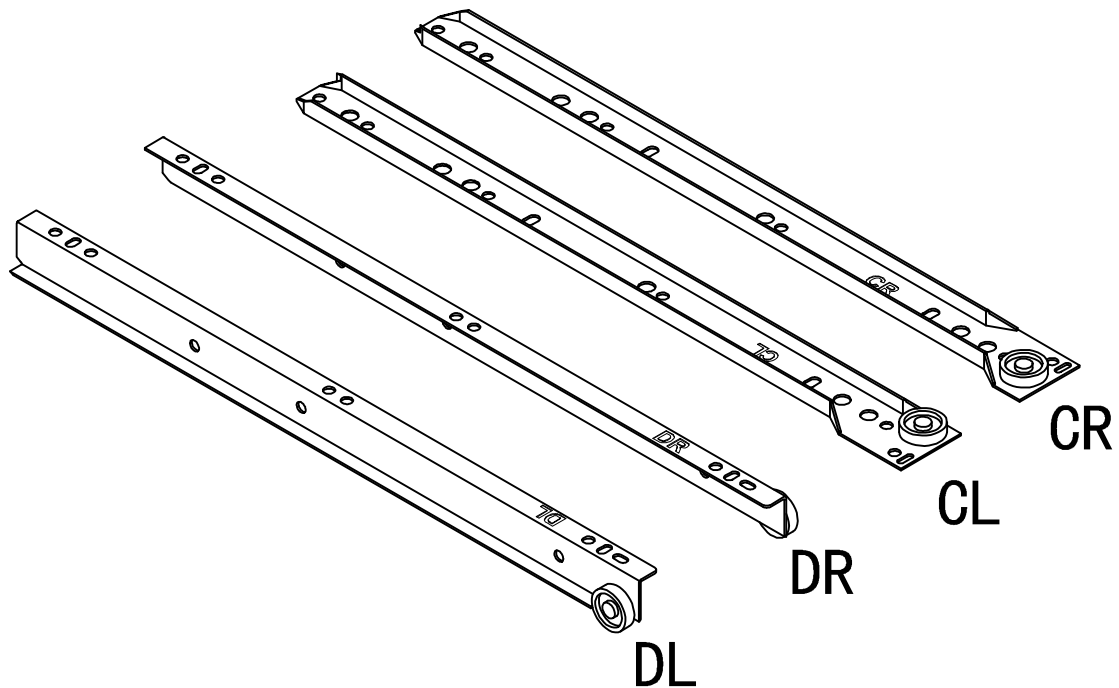


<p>A=28</p>  <p>Peg M6*34mm</p>	<p>B=28</p>  <p>Lock M15*12mm</p>	<p>C=8</p>  <p>Dowel M6*30mm</p>	<p>D=16</p>  <p>Screw M3.5*14mm</p>	<p>E=8</p>  <p>Screw M4*38</p>	<p>F=16</p>  <p>Screw Cap</p>
<p>G=12</p>  <p>Pin</p>	<p>H=16</p>  <p>Screw</p>	<p>I=4</p>  <p>Plastic Feet</p>	<p>J=1</p>  <p>Wrench</p>	<p>CR CL DR DL=2</p>  <p>Drawer Runner</p>	

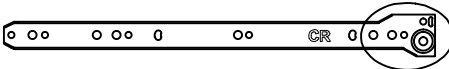
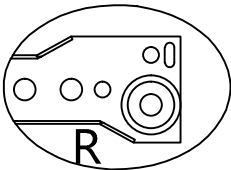
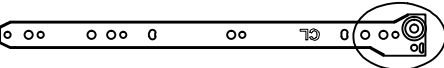
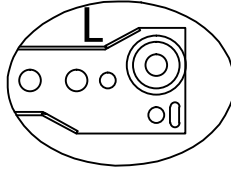

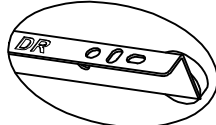
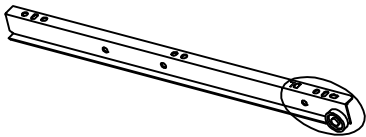
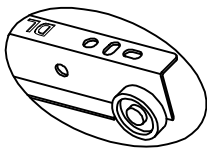
Drawer Runner Instruction

IMPORTANT - Please Read It Carefully.

NOTE:1 PAIR DRAWER RUNNER INCLUDES 4 PIECES.



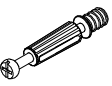
Fittings (not to scale)

NO.	DESCRIPTION	QTY		
CR	Outer Drawer Runner - Right	2PCS		
CL	Outer Drawer Runner - Left	2PCS		
DR	Inner Drawer Runner - Right	2PCS		
DL	Inner Drawer Runner - Left	2PCS		

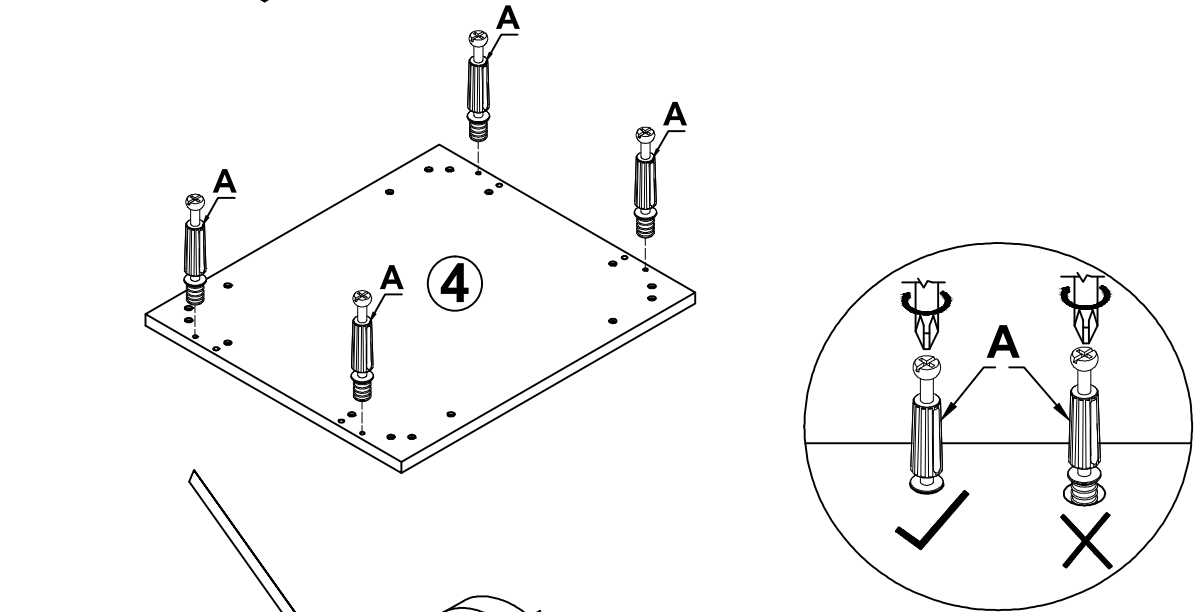
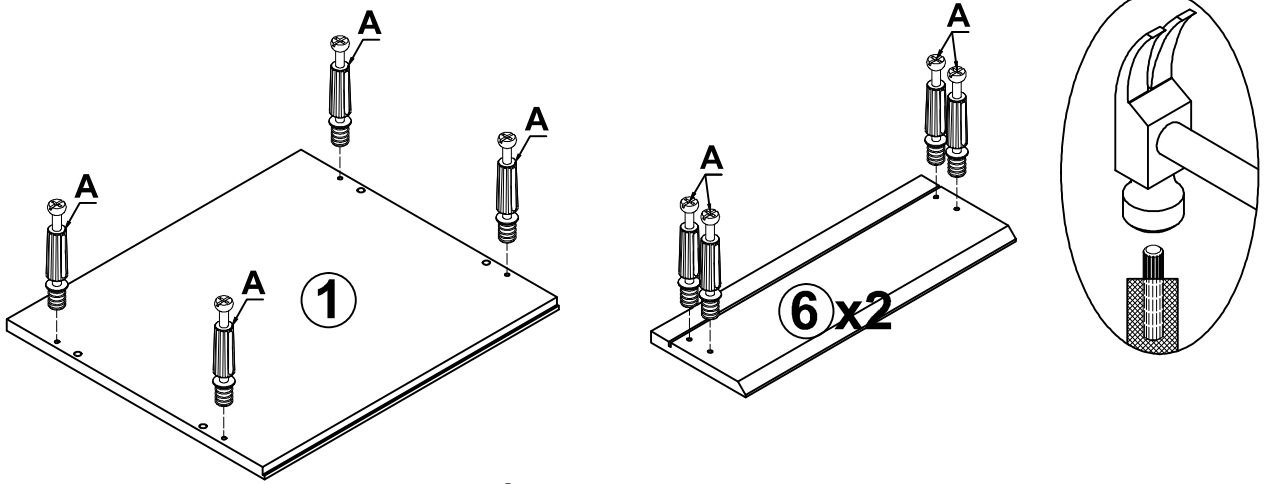
Assembly Instruction

Step 1

A=16



Peg



Step 2

F=16

H=16



Screw Cap

Screw

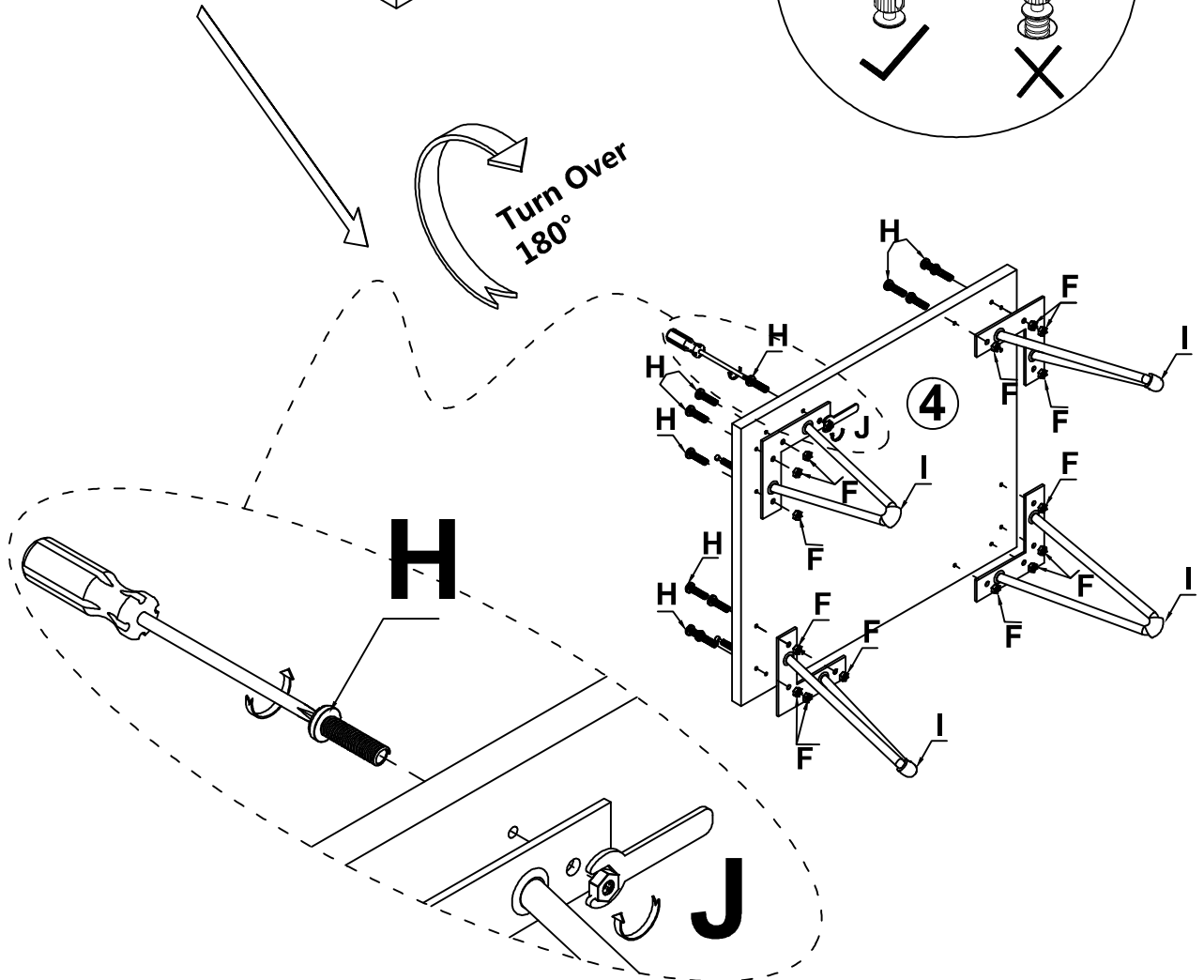
I=4

J=1



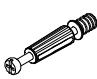

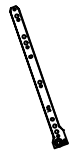

Plastic Feet

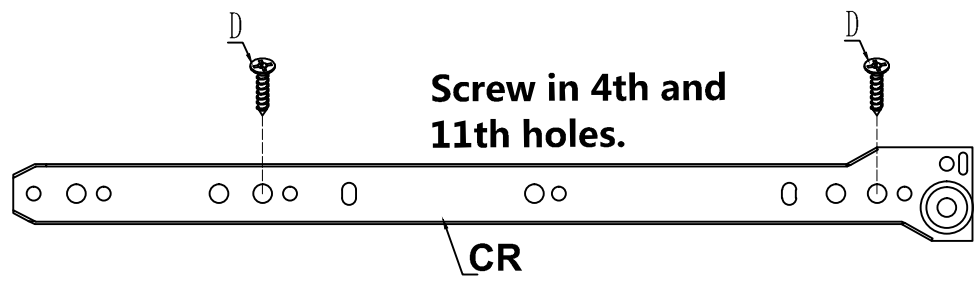
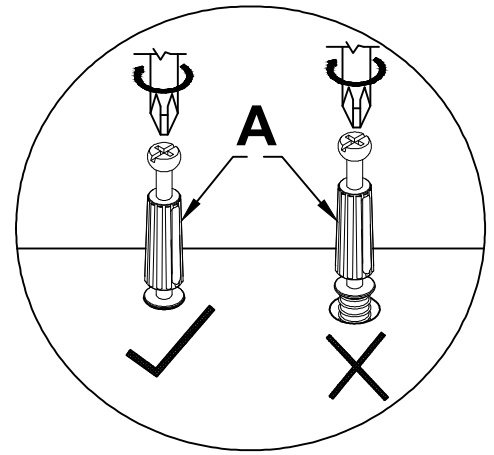
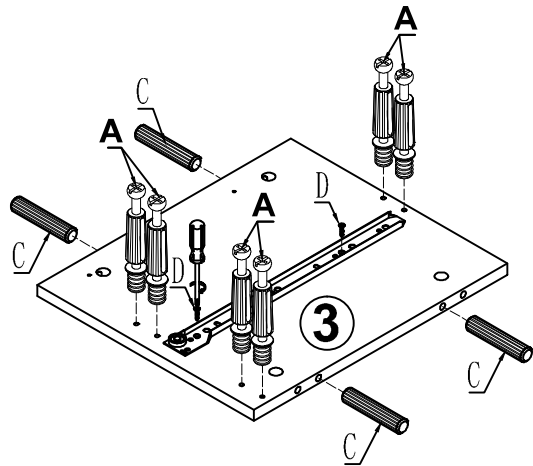
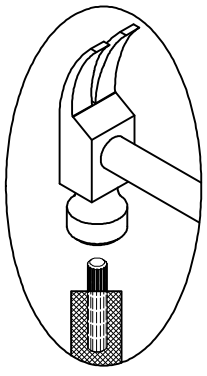
Wrench



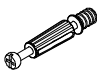

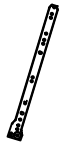

Assembly Instruction

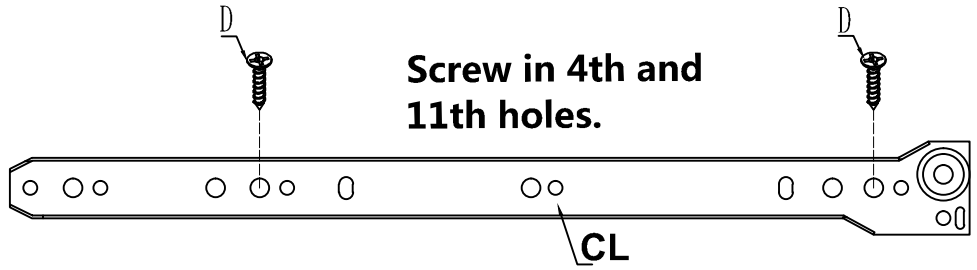
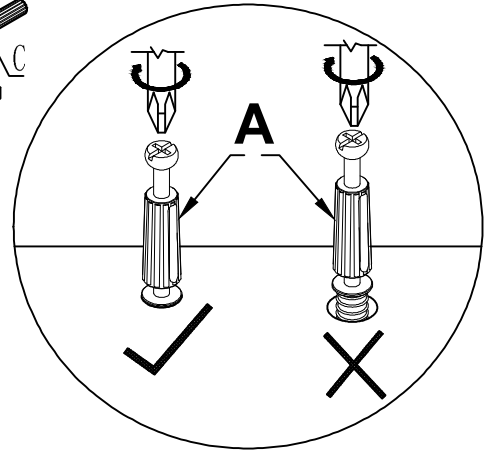
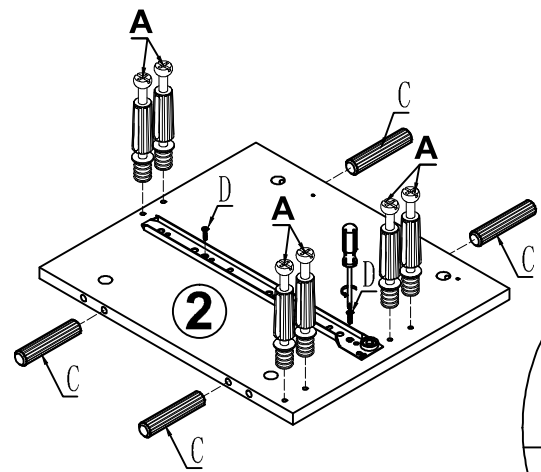
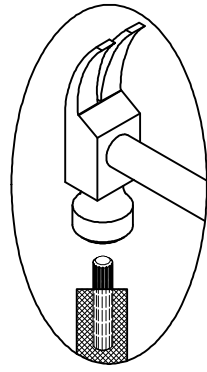
Step 3

A=6	C=4
	
Peg	Dowel
CR=1	D=2
	
Drawer Runner	Screw M3.5*14mm



Step 4

A=6	C=4
	
Peg	Dowel
CL=1	D=2
	
Drawer Runner	Screw M3.5*14mm



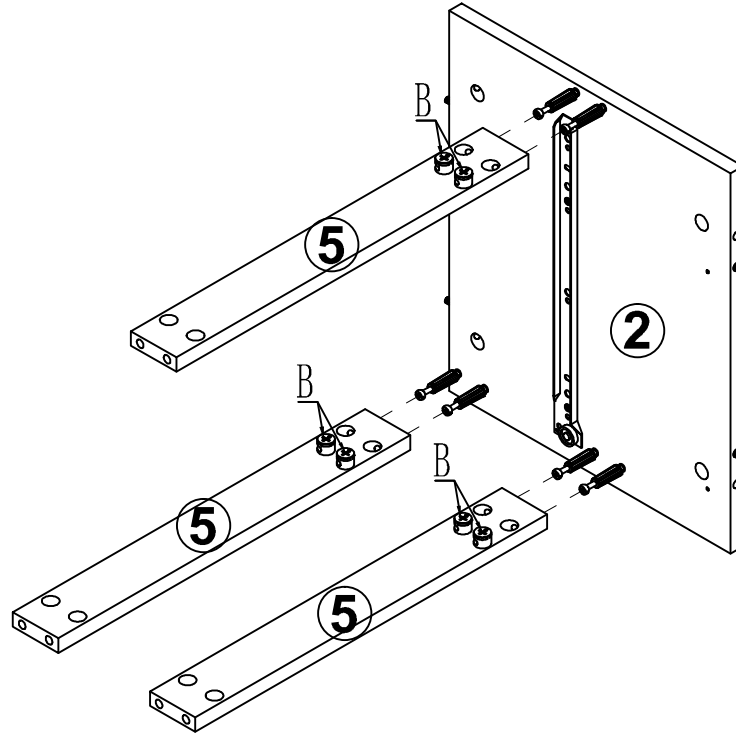
Assembly Instruction

Step 5

B=6



Lock

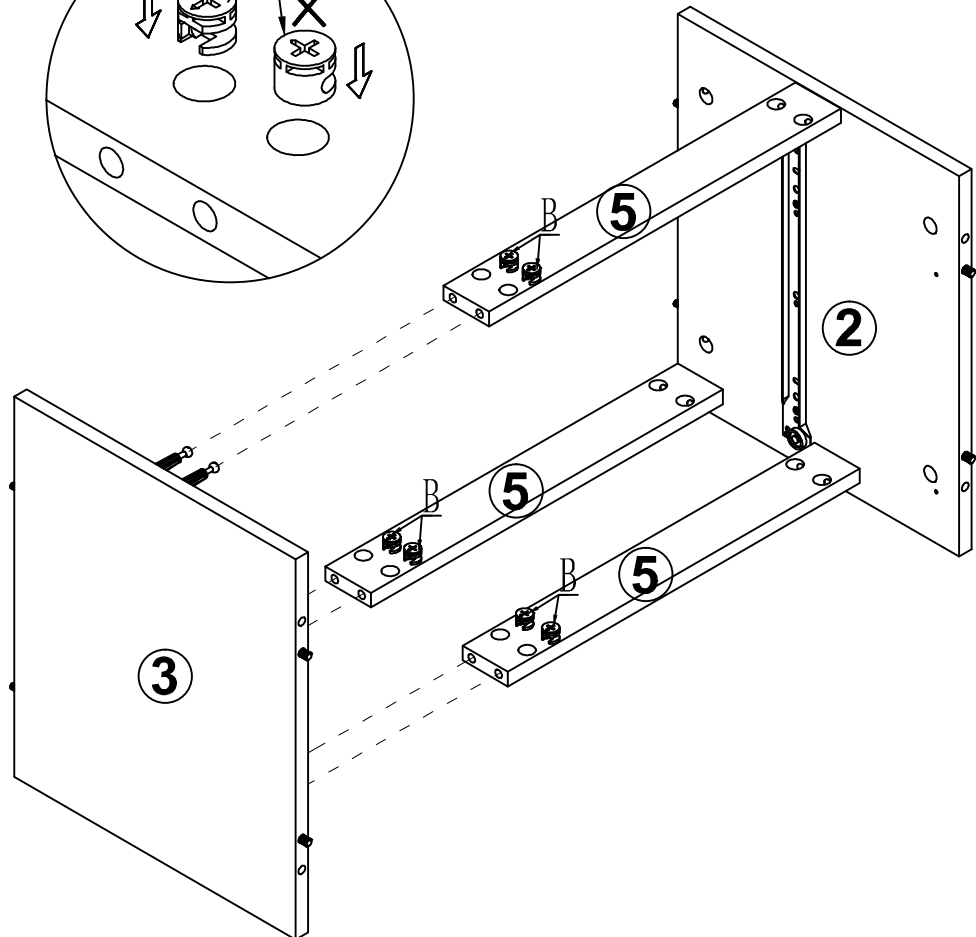
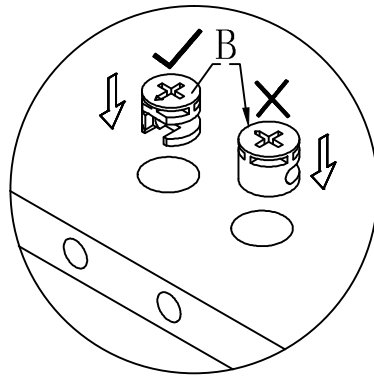


Step 6

B=6



Lock



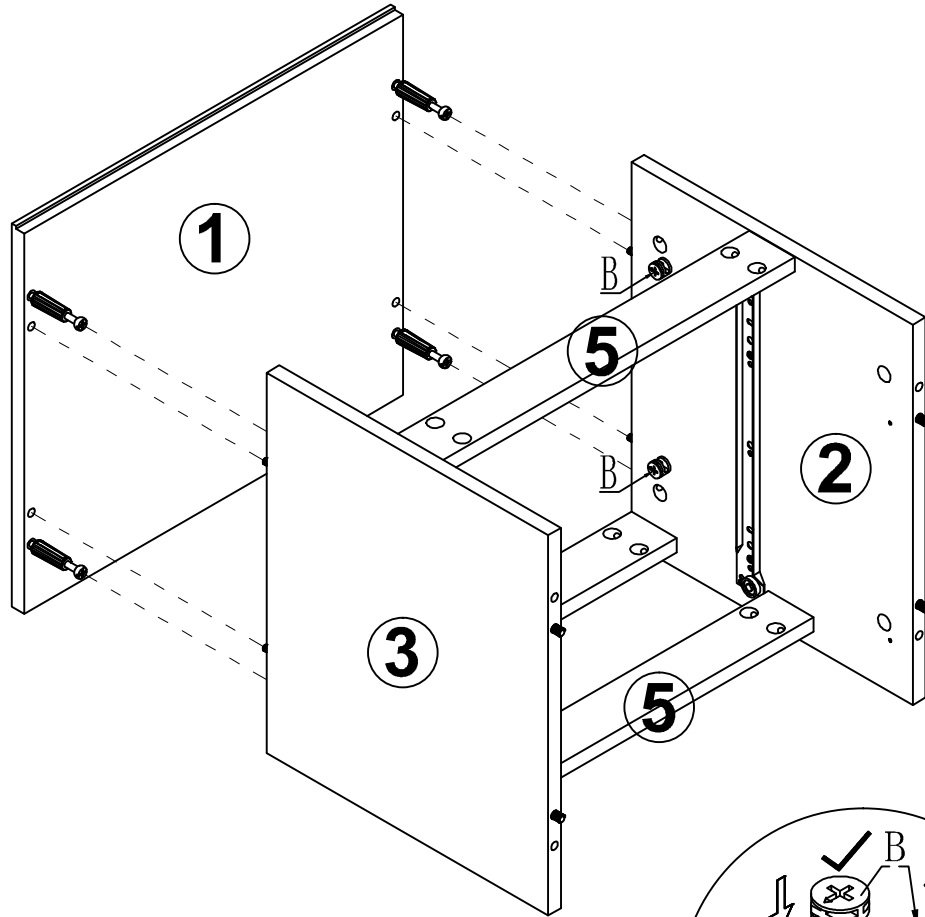
Assembly Instruction

Step 7

B=4



Lock

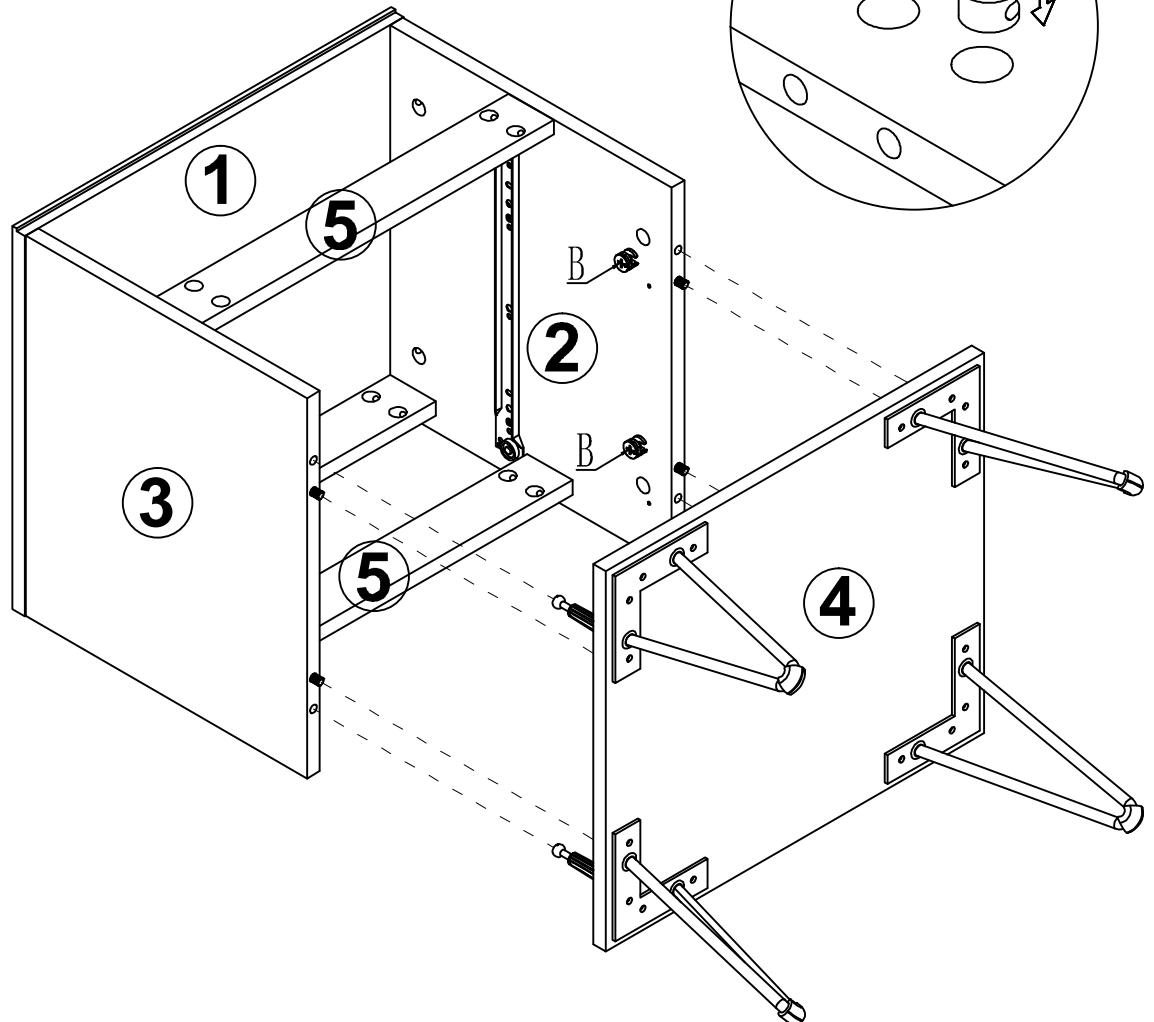


Step 8

B=4



Lock



Assembly Instruction

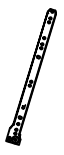
Step 9

CR=1



Drawer Runner

CL=1

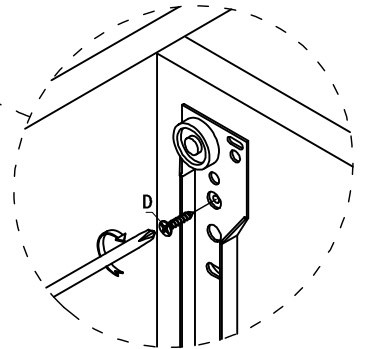
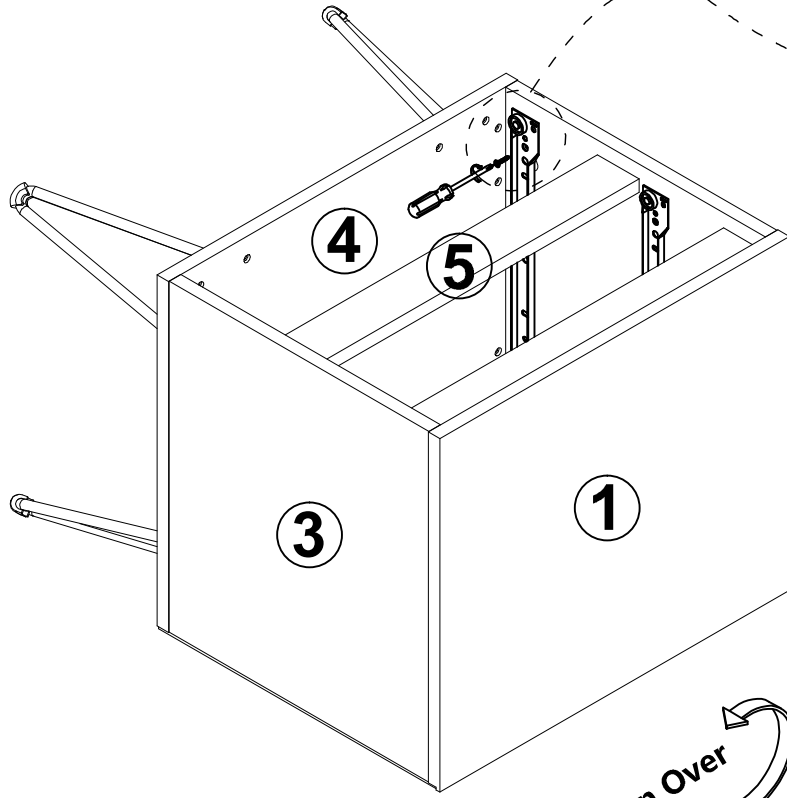
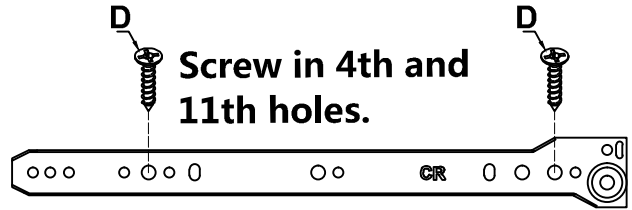
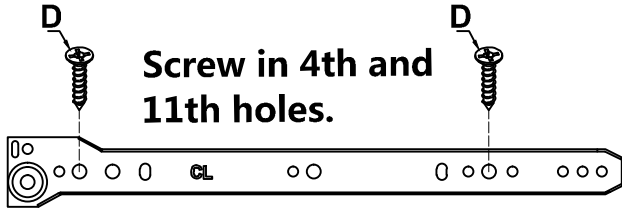


Drawer Runner

D=4



Screw M3.5*14mm

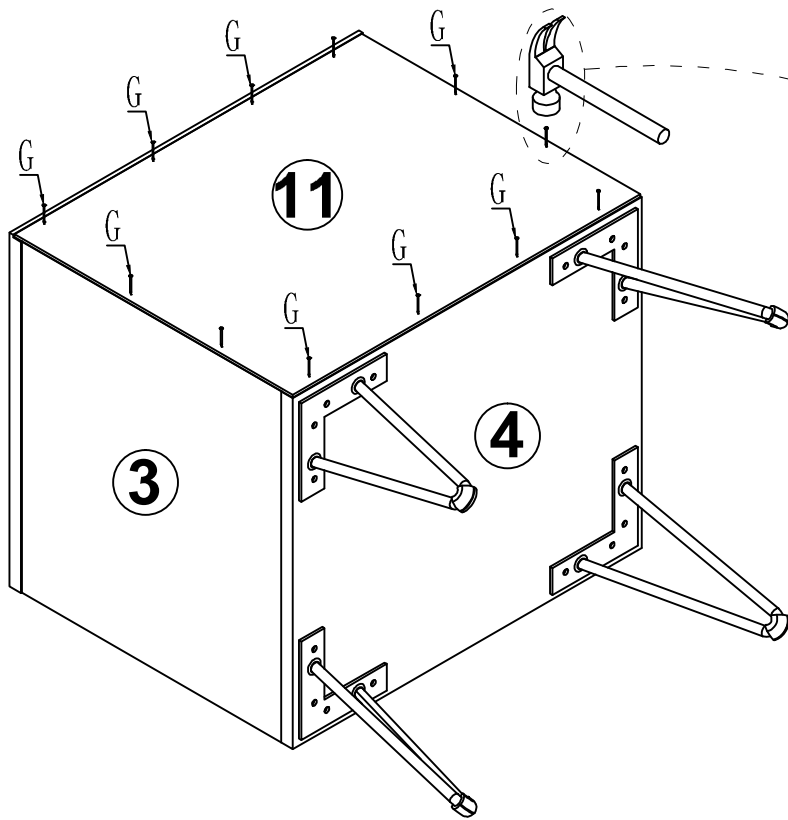


Step 10

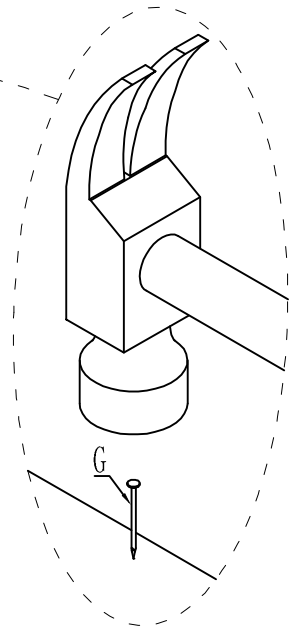
G=12



Pin



Turn Over 180°



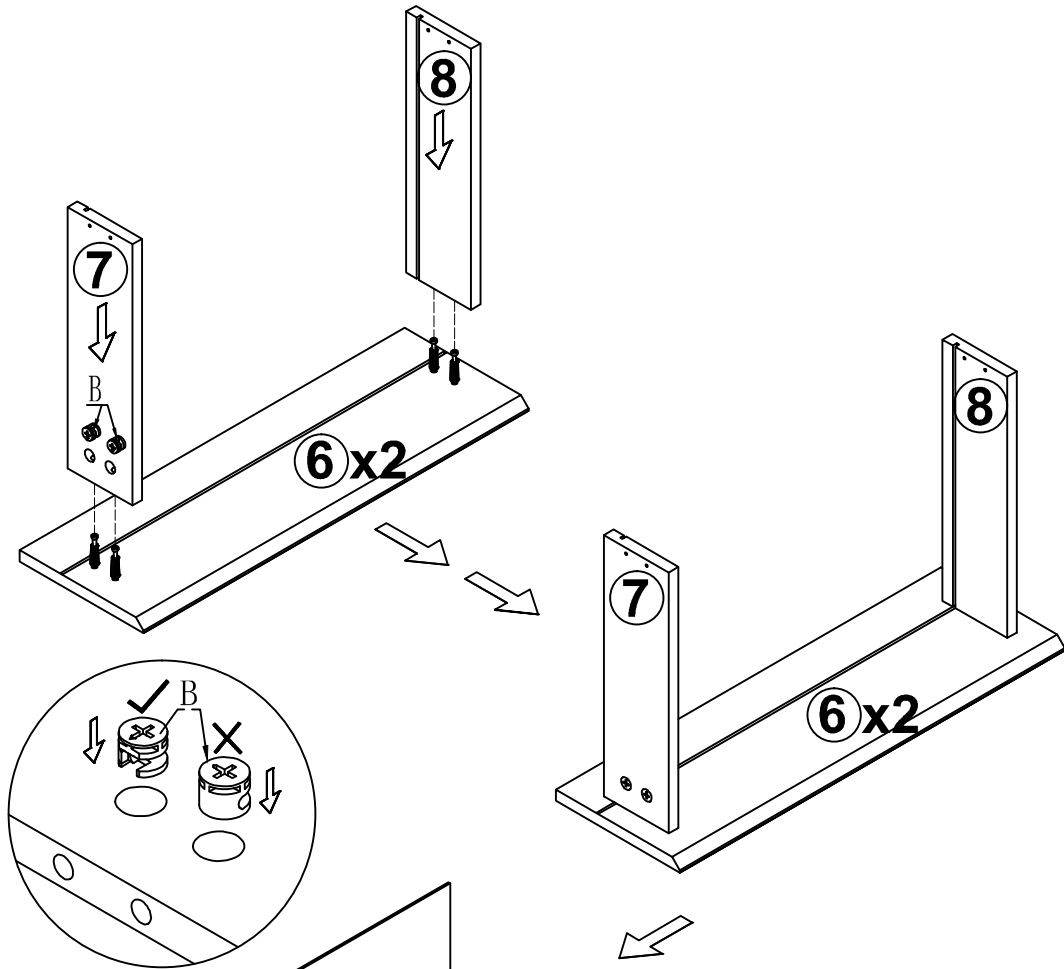
Assembly Instruction

Step 11

B=8



Lock

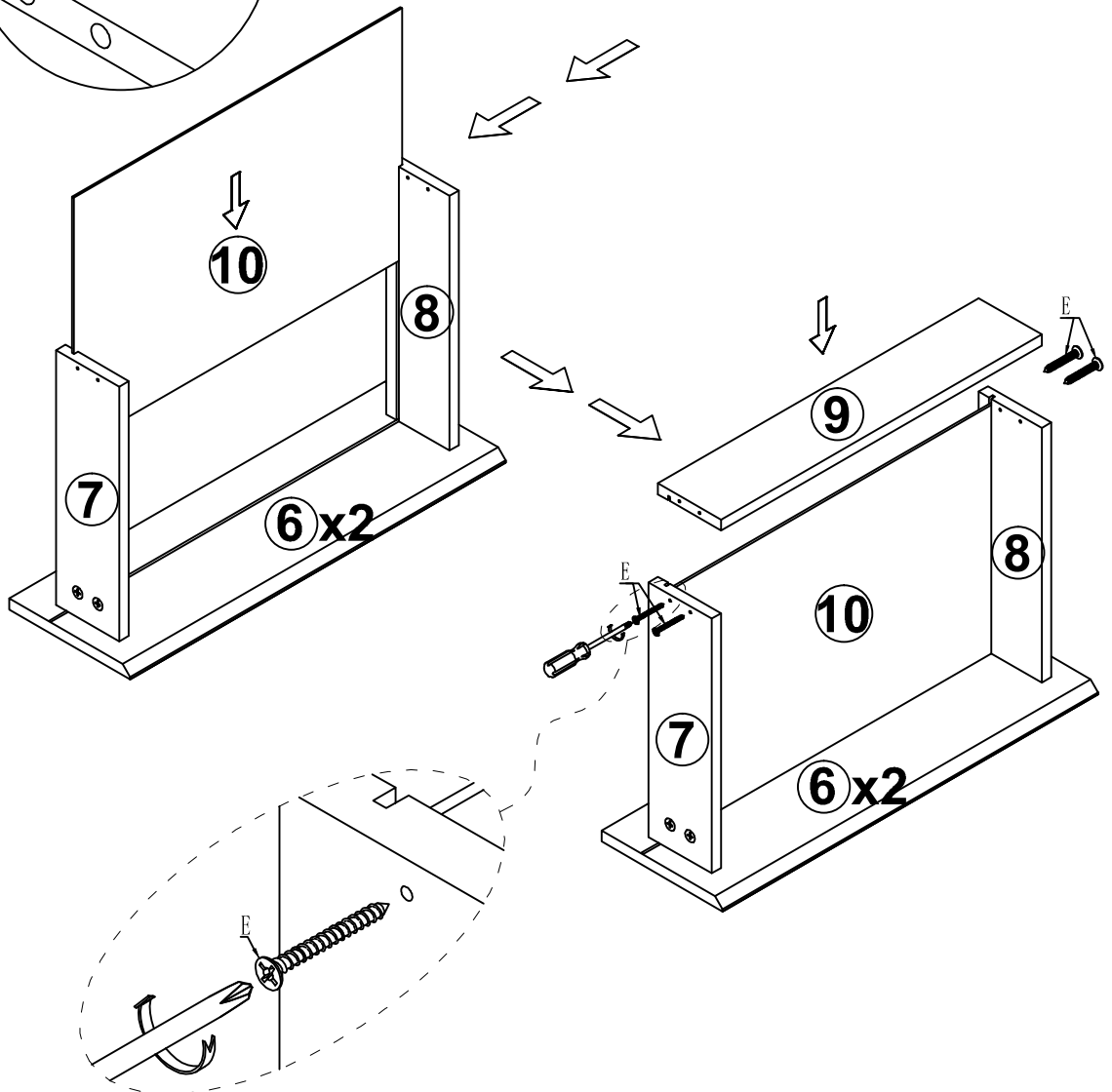


Step 12

E=8



Screw
M4*38

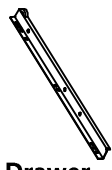


Assembly Instruction

Step 13

DR=2

DL=2



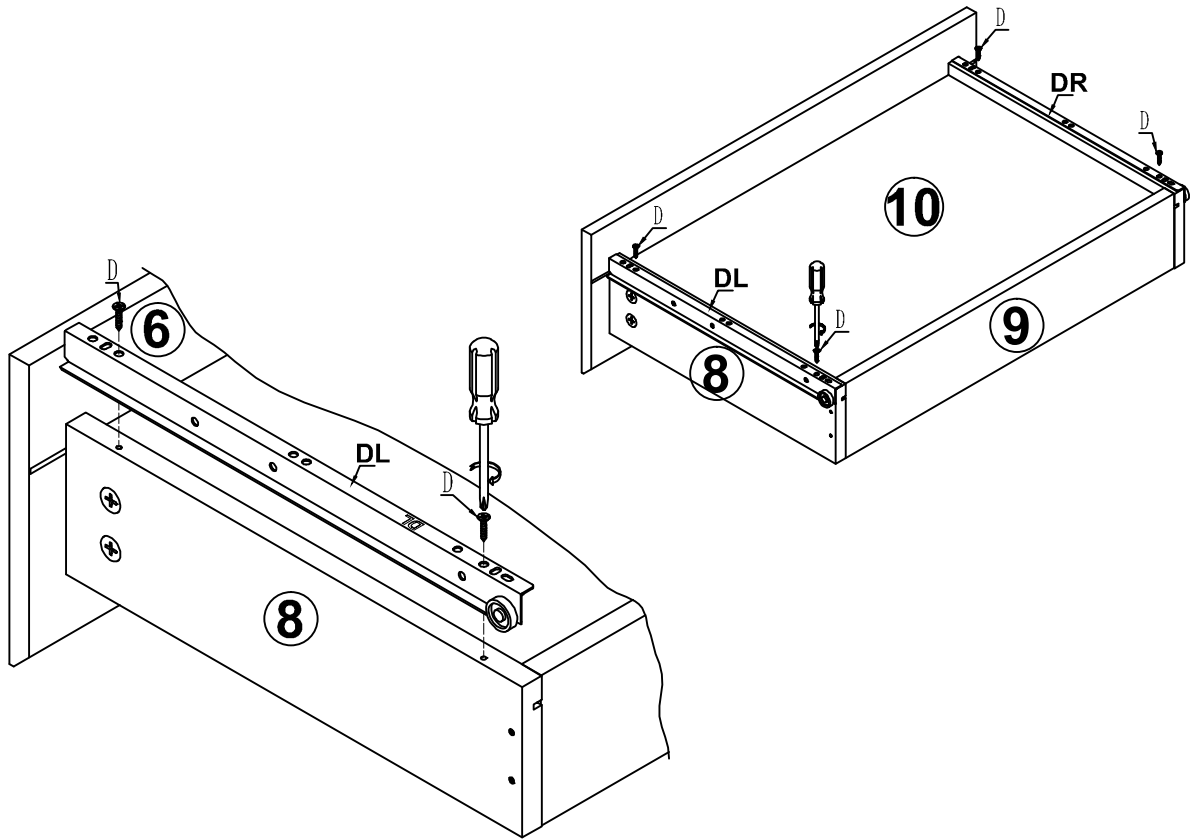
Drawer Runner

Drawer Runner

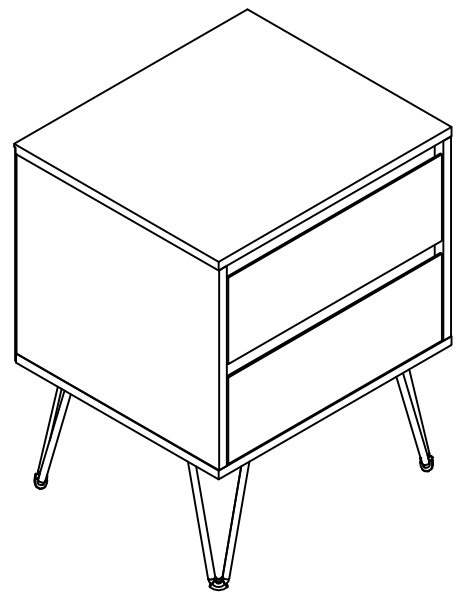
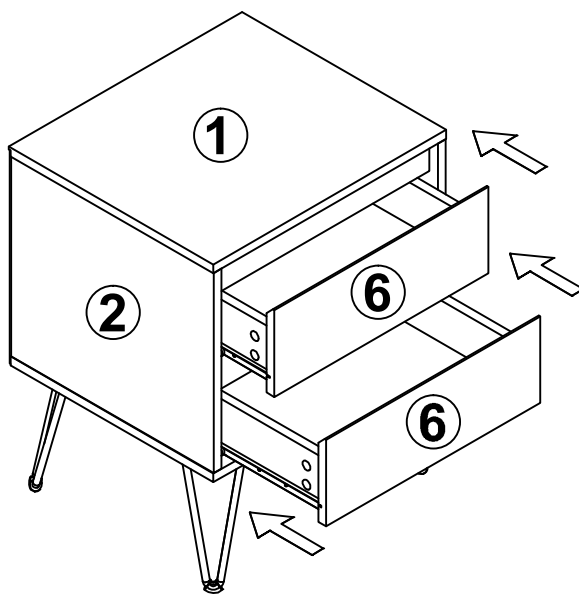
D=8



Screw
M3.5*14mm



Step 14



OK