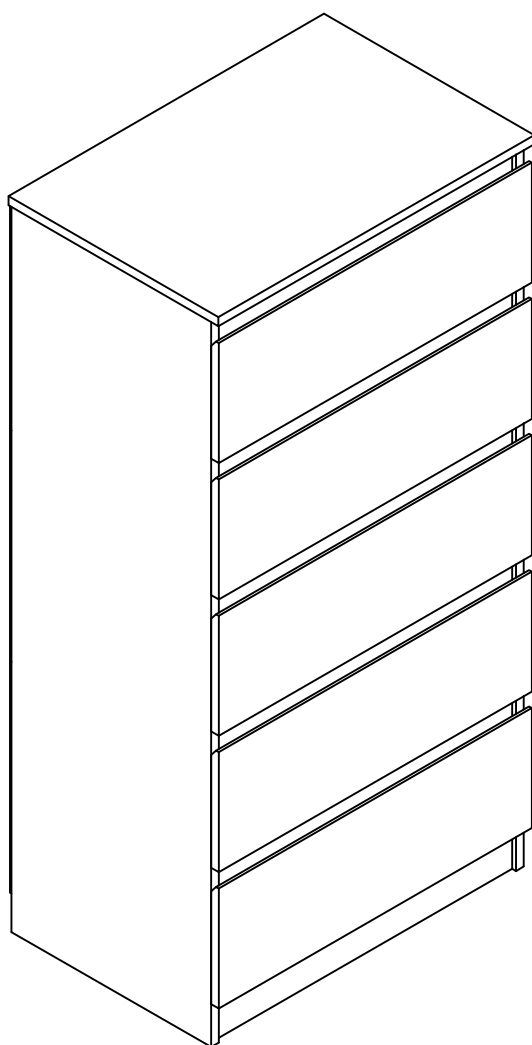


5 Drawers Chest

Assembly Instructions - Thank you for your purchase.
Please follow the instructions below for correct assembly.

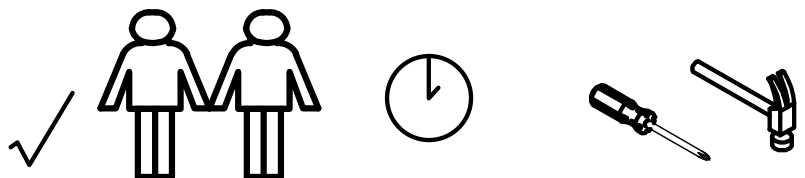
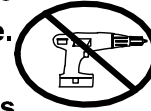


Space General

Safety and Care Advice

IMPORTANT - Please Read This Instruction Carefully Before Assembly.

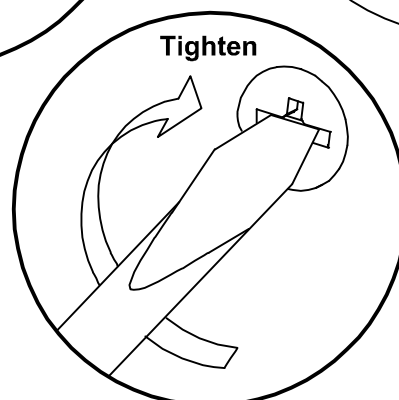
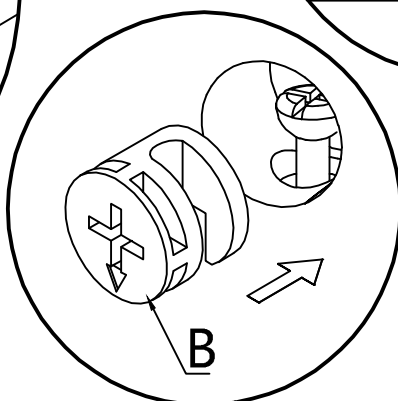
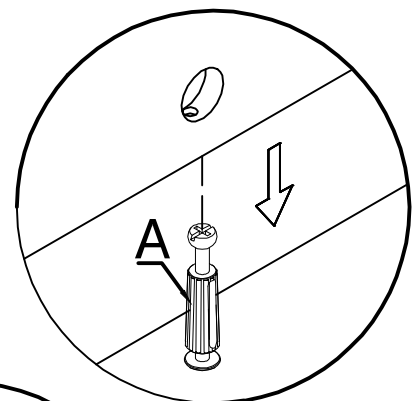
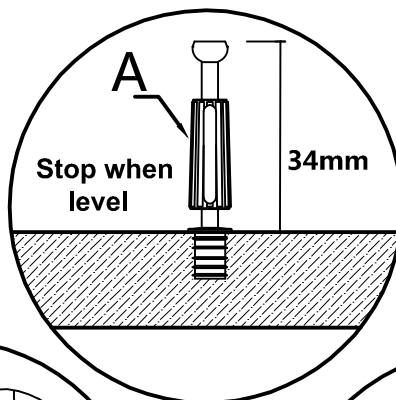
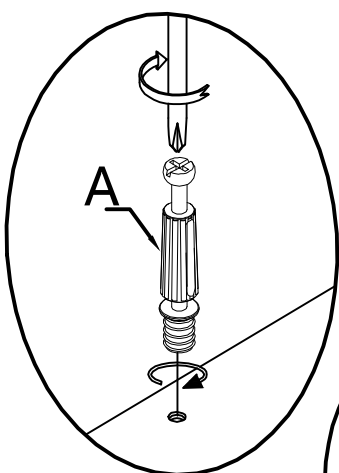
- Check you have all the components and tools listed on page 3.
- Remove all settings from the plastic bags and separate them into their groups.
- Keep children and animals away from the work area, small parts could choke if swallowed.
- Make sure you have enough space to layout the parts before assembly.
- Do not stand or put weight on the product, this could cause damage.
- Assemble the item as close to it's intended position (in the same room) as possible.
- Assemble on a soft level surface to avoid damaging the unit.
- Parts of the assembly will be easier with 2 people.
- Do not use power drill/drivers for assembly, or the unit may be damaged.
- Dispose of all packaging carefully and responsibly.



CARE and MAINTENANCE

- Only clean using a damp cloth and mild detergent, do not use bleach or abrasive cleaners.
- From time to time check that there are no loose screws on this unit.
- This product should not be discarded with household waste. Take to your local authority waste disposal center.

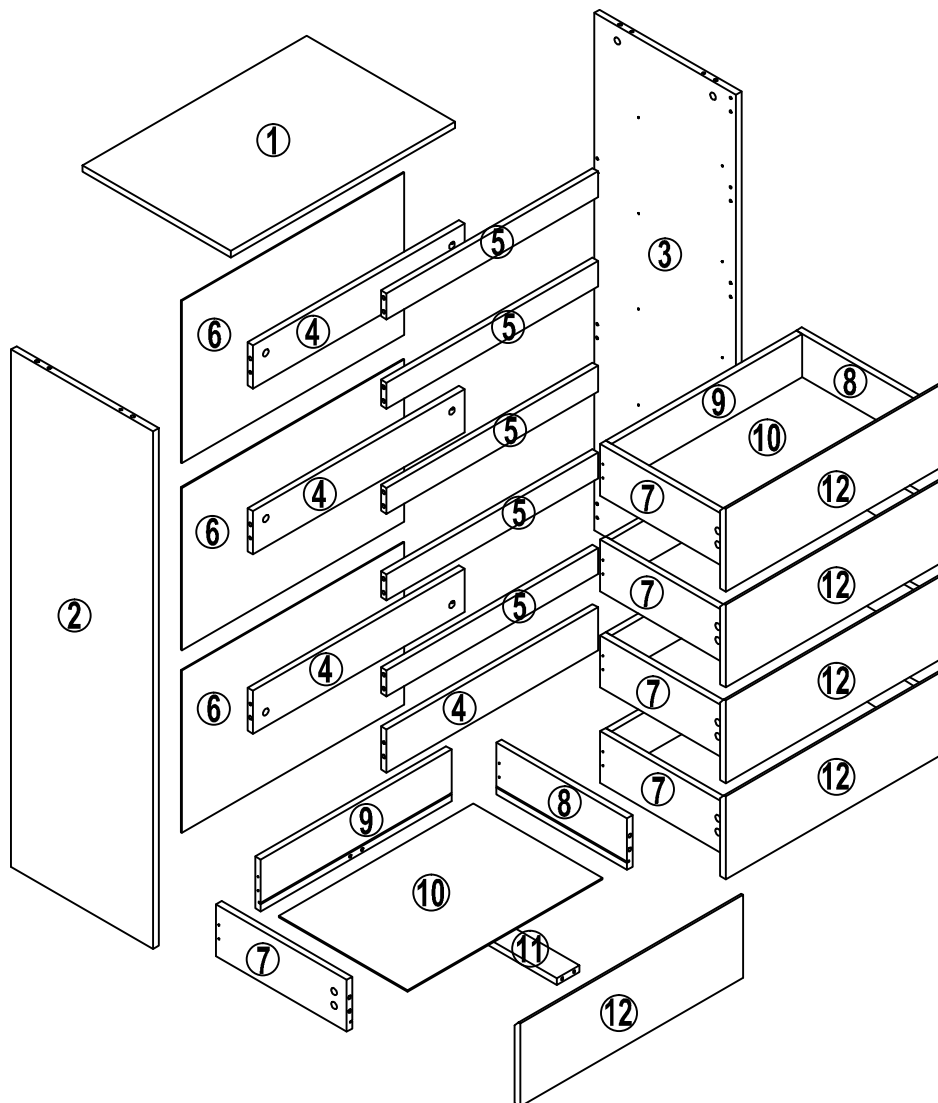
General Hints & Tips

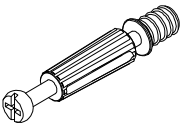
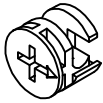
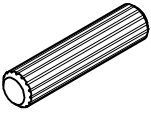
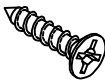
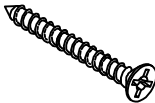

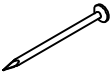

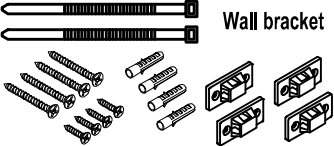


Components and Tools

IMPORTANT - Please Check If You Have All The Components and Tools.

Note: The quantities below are the correct amount to complete the assembly. In some cases more pieces may be supplied than are required.



<p>A=52</p>  <p>Peg M6*34mm</p>	<p>B=52</p>  <p>Lock M15*12mm</p>	<p>C=32</p>  <p>Dowel M6*30mm</p>	<p>D=40</p>  <p>Screw M3.5*14mm</p>	<p>E=20</p>  <p>Screw M4*38</p>	<p>F=4</p>  <p>Plastic Feet</p>
<p>G=16</p>  <p>Pin</p>	<p>CR CL DR DL=5</p>  <p>Drawer Runner</p>	<p>P=1</p>  <p>Wall bracket</p>			

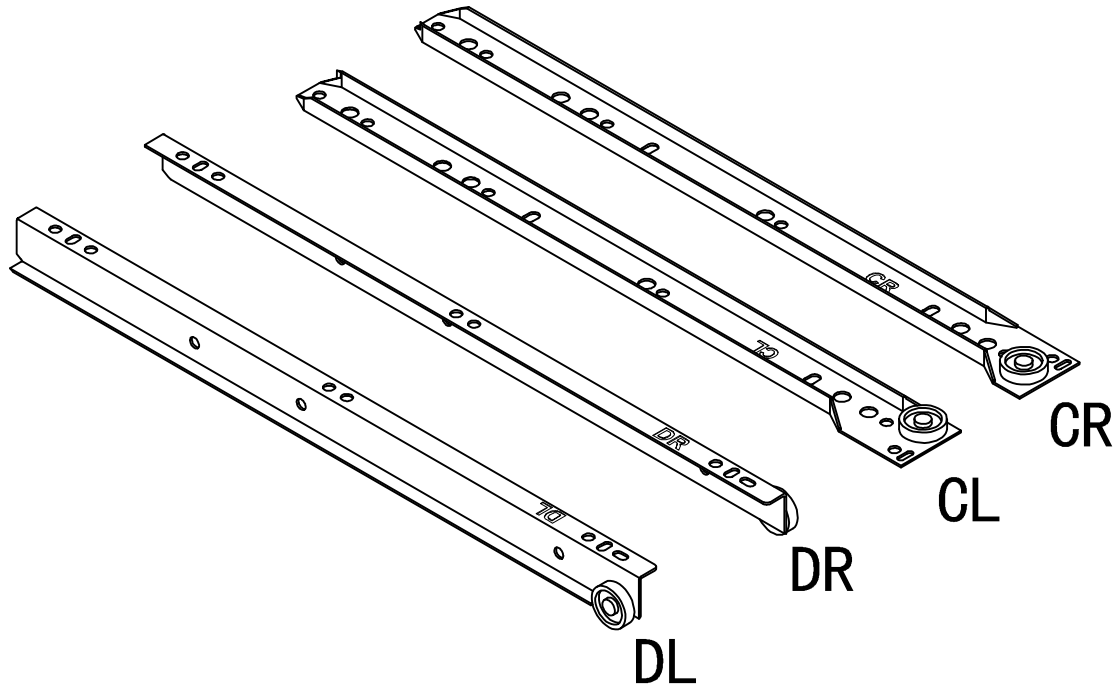
10F2 ①, ②, ③, ④ X4, ⑤ X5, ⑥ X3,

20F2 ⑦ X5, ⑧ X5, ⑨ X5, ⑩ X5, ⑪ X5, ⑫ X5, FITTING KIT

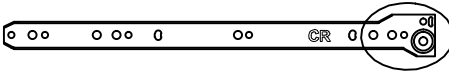
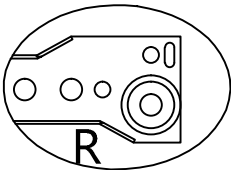
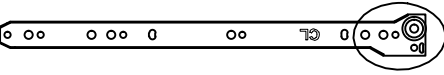
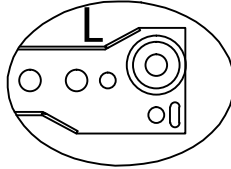

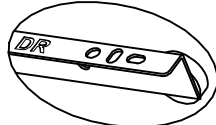
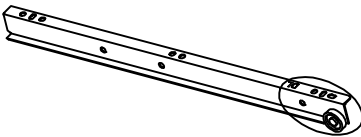
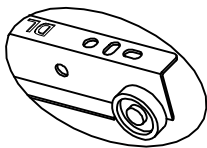
Drawer Runner Instruction

IMPORTANT - Please Read It Carefully.

NOTE:1 PAIR DRAWER RUNNER INCLUDES 4 PIECES.



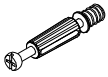
Fittings (not to scale)

NO.	DESCRIPTION	QTY		
CR	Outer Drawer Runner - Right	5PCS		
CL	Outer Drawer Runner - Left	5PCS		
DR	Inner Drawer Runner - Right	5PCS		
DL	Inner Drawer Runner - Left	5PCS		

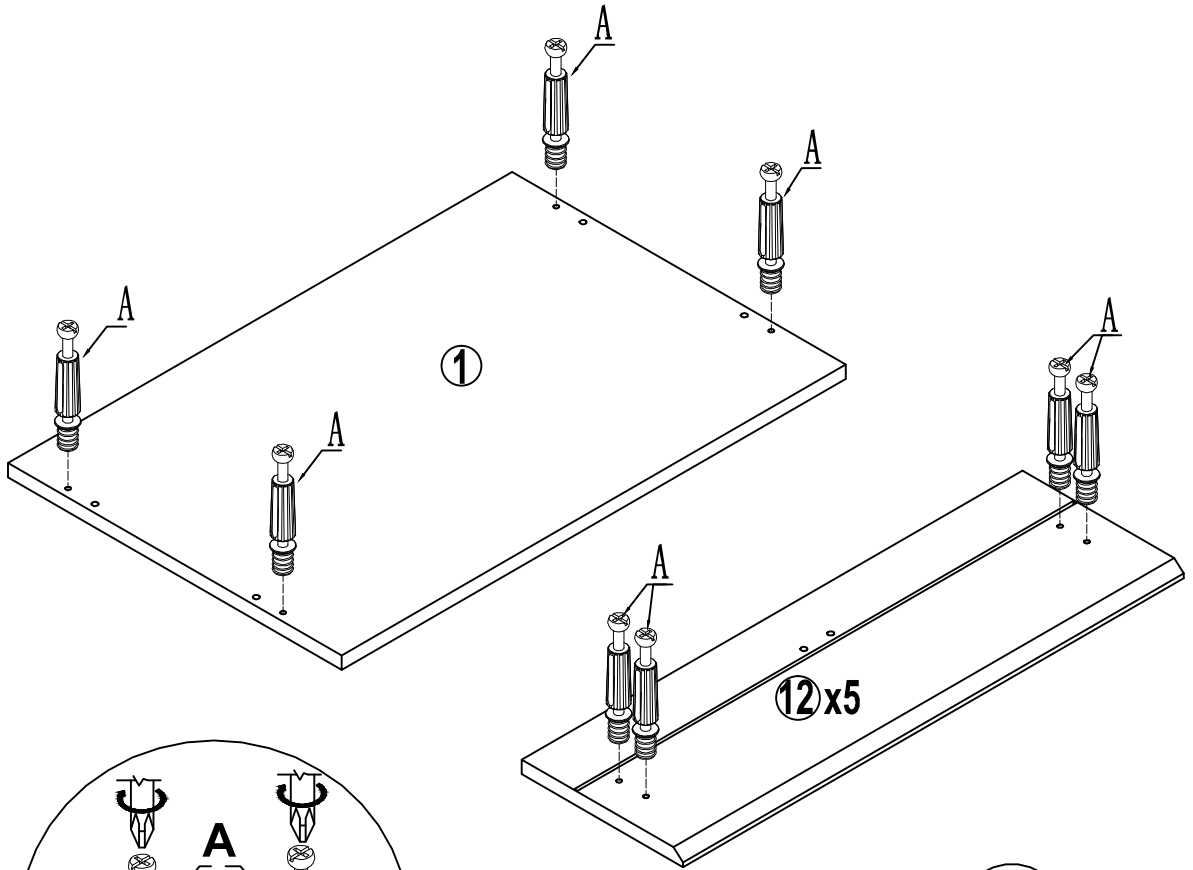
Assembly Instruction

Step 1

A=24



Peg

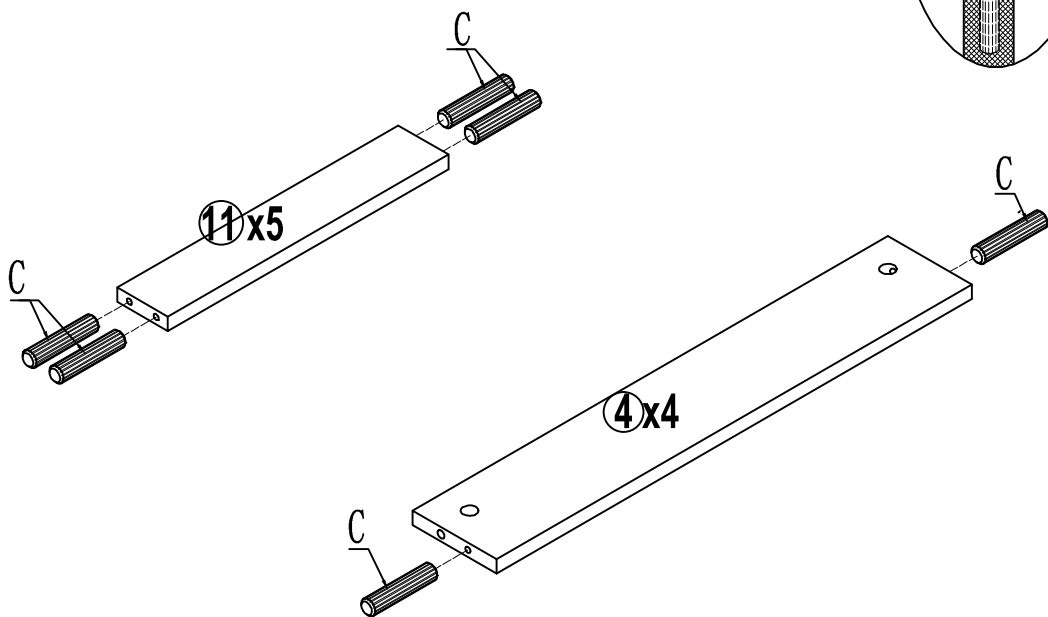


Step 2

C=28

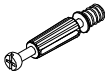
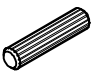
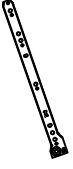



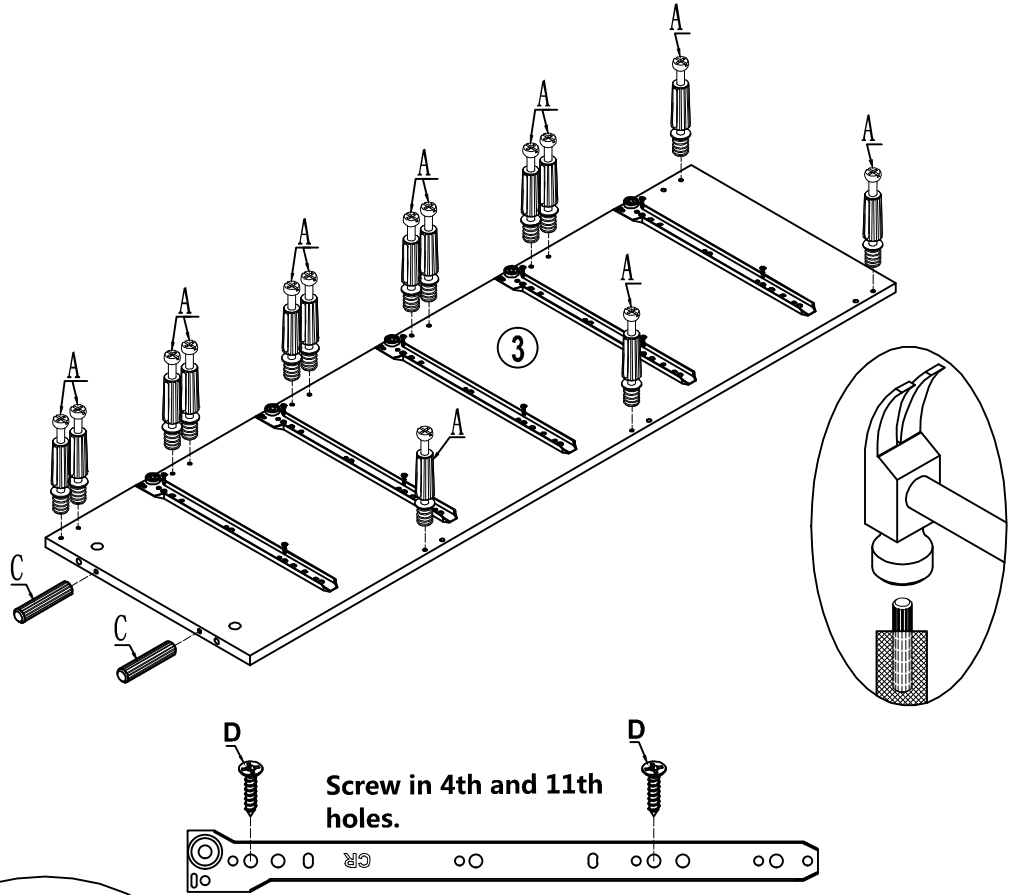
Dowel



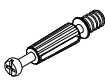
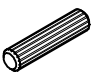
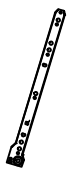

Assembly Instruction

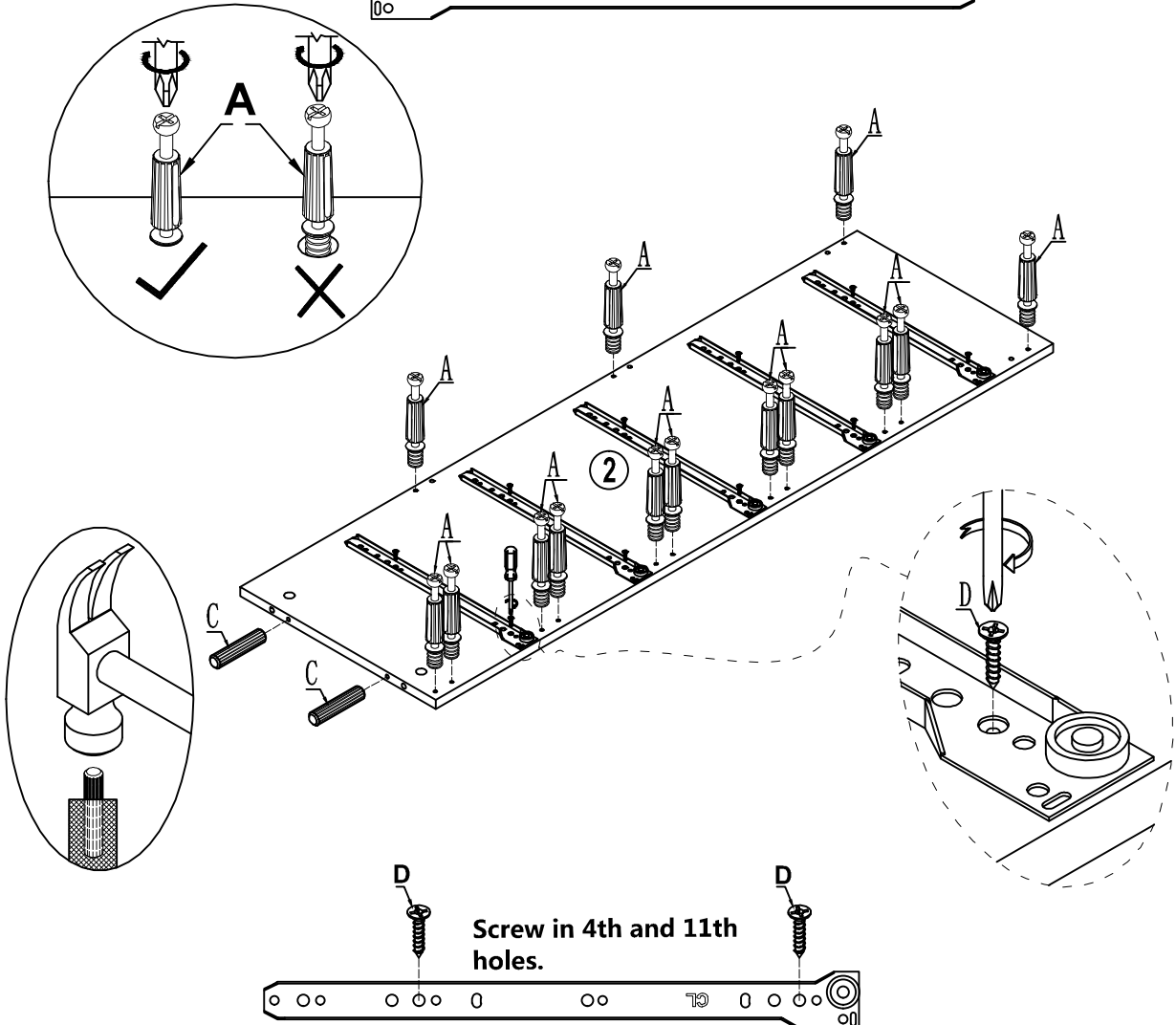
Step 3

A=14	C=2
	
Peg	Dowel
CR=5	D=10
	
Drawer Runner	Screw M3.5*14mm



Step 4

A=14	C=2
	
Peg	Dowel
CL=5	D=10
	
Drawer Runner	Screw M3.5*14mm



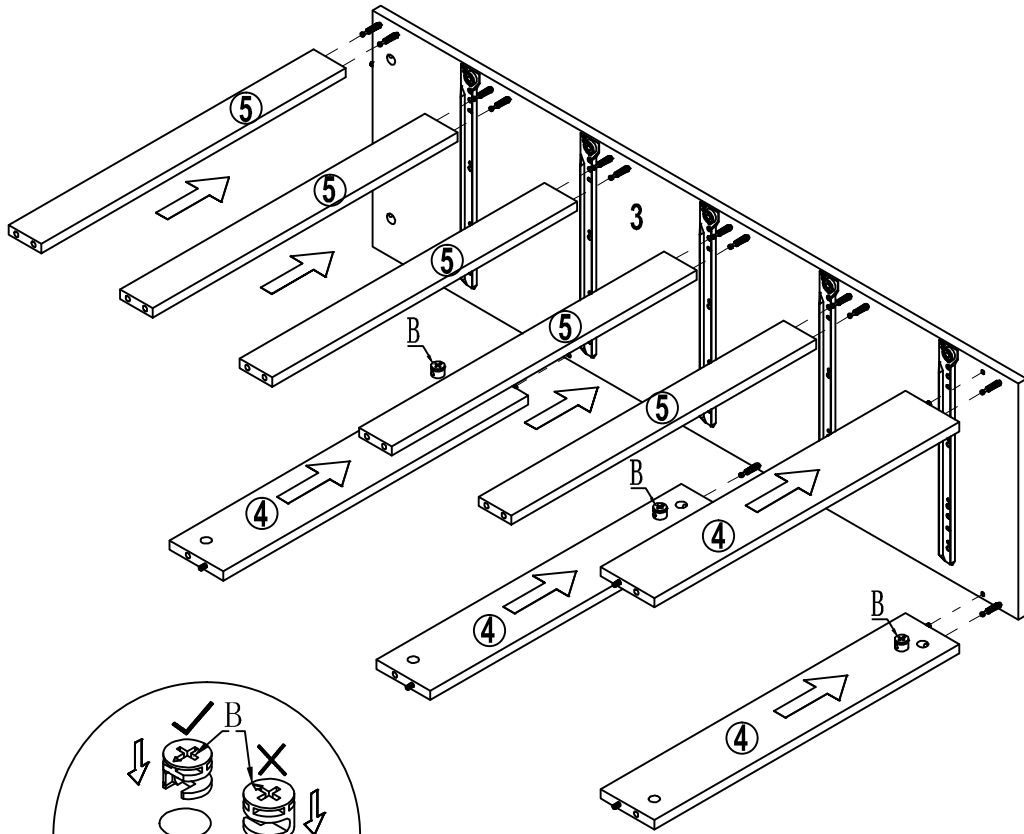
Assembly Instruction

Step 5

B=14



Lock

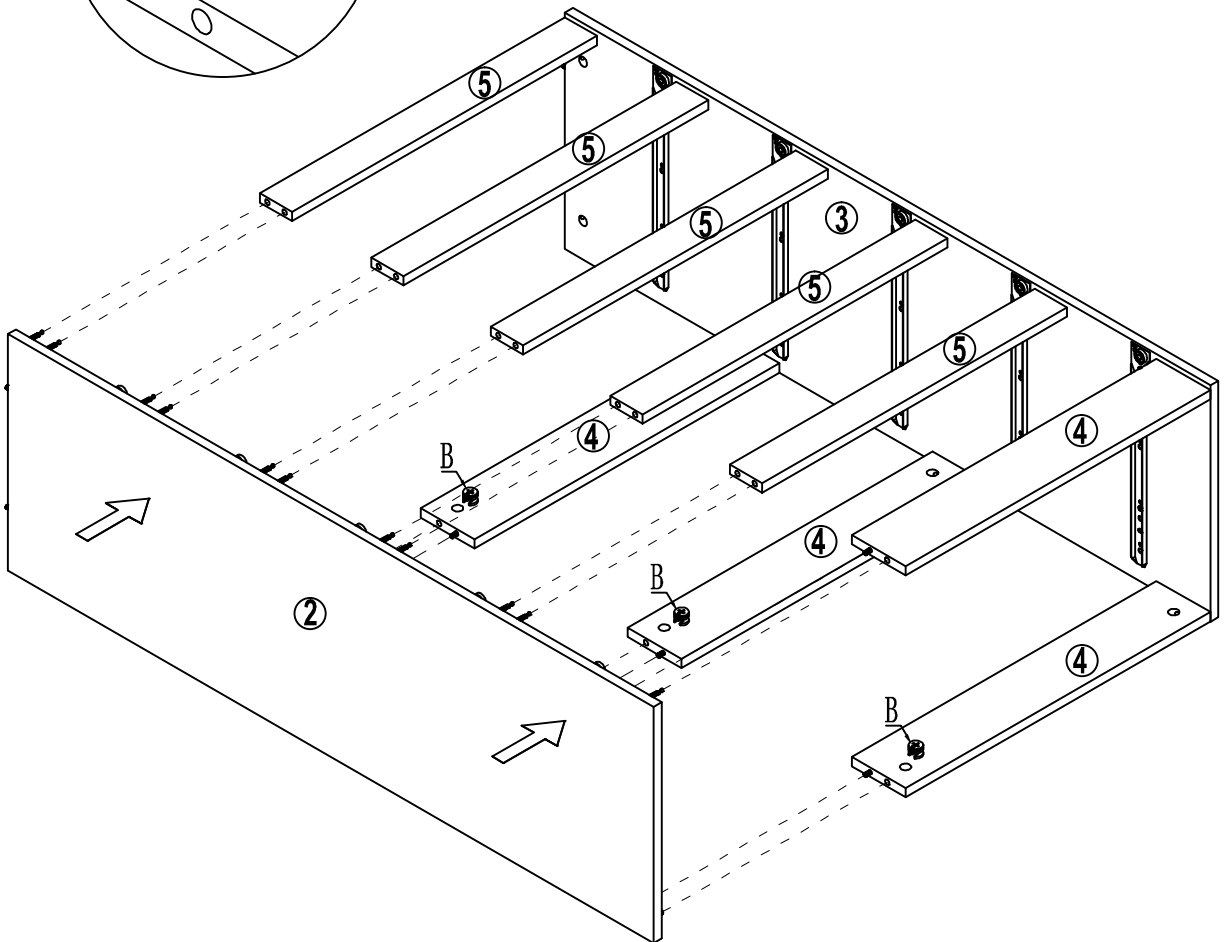


Step 6

B=14

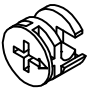



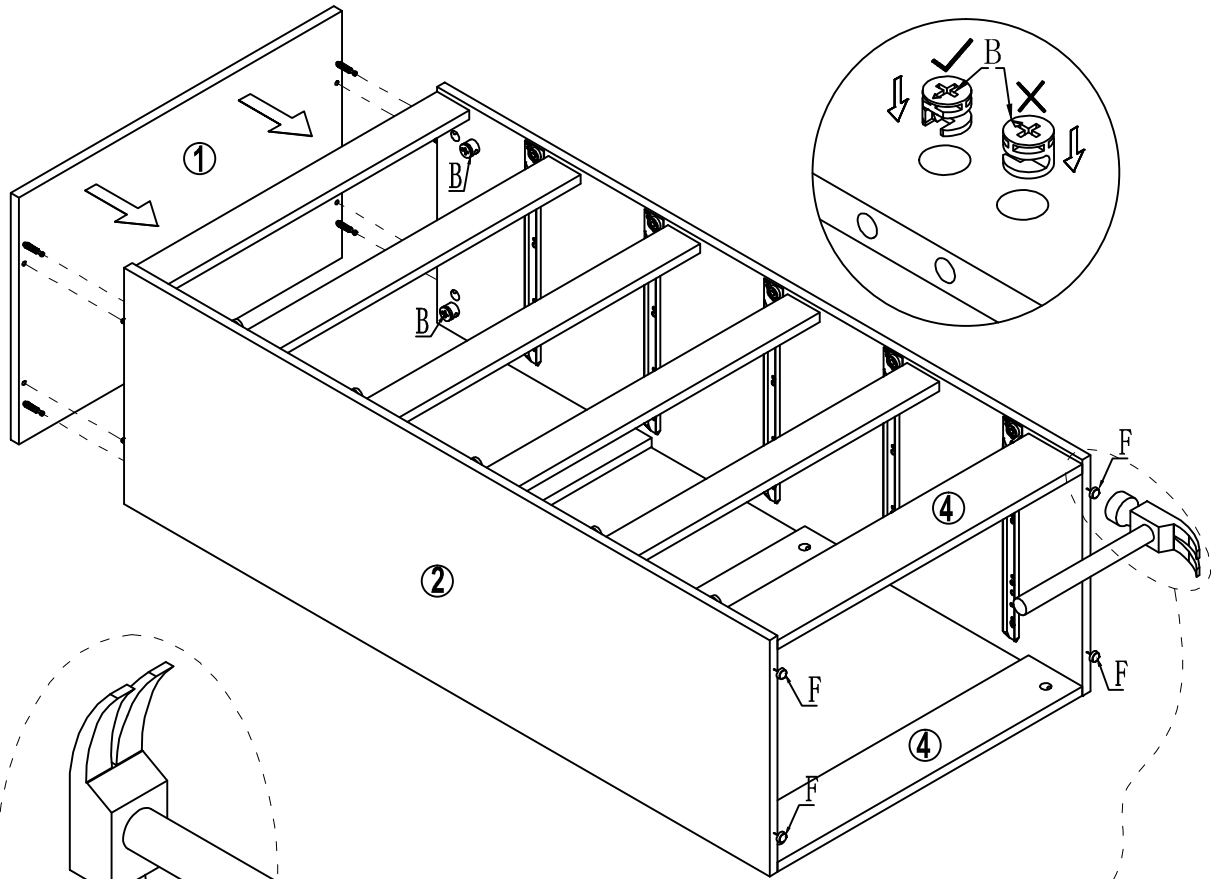
Lock




Assembly Instruction

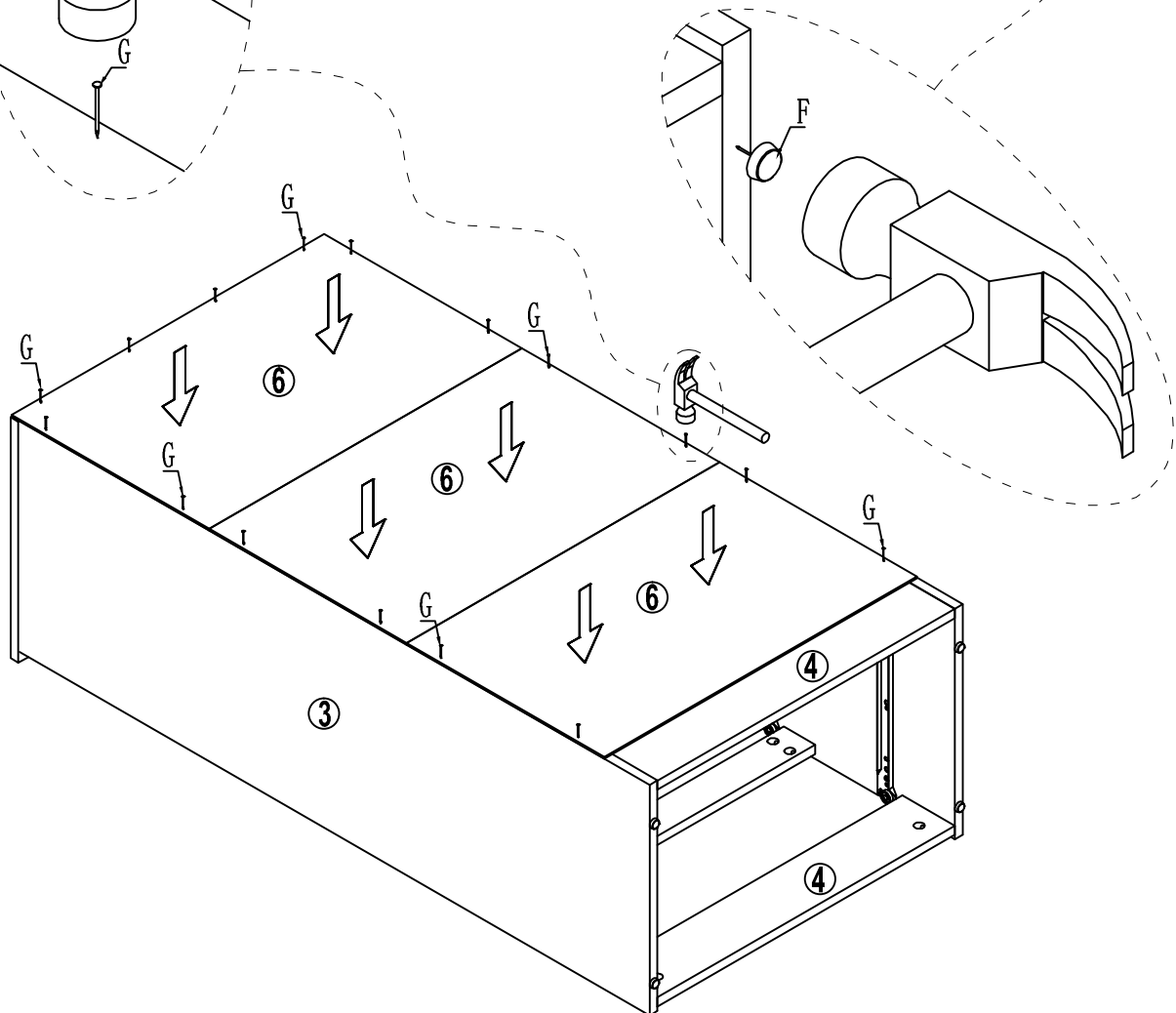
Step 7

B=4	F=4
	
Lock	Plastic Foot



Step 8

G=16	
	
Pin	



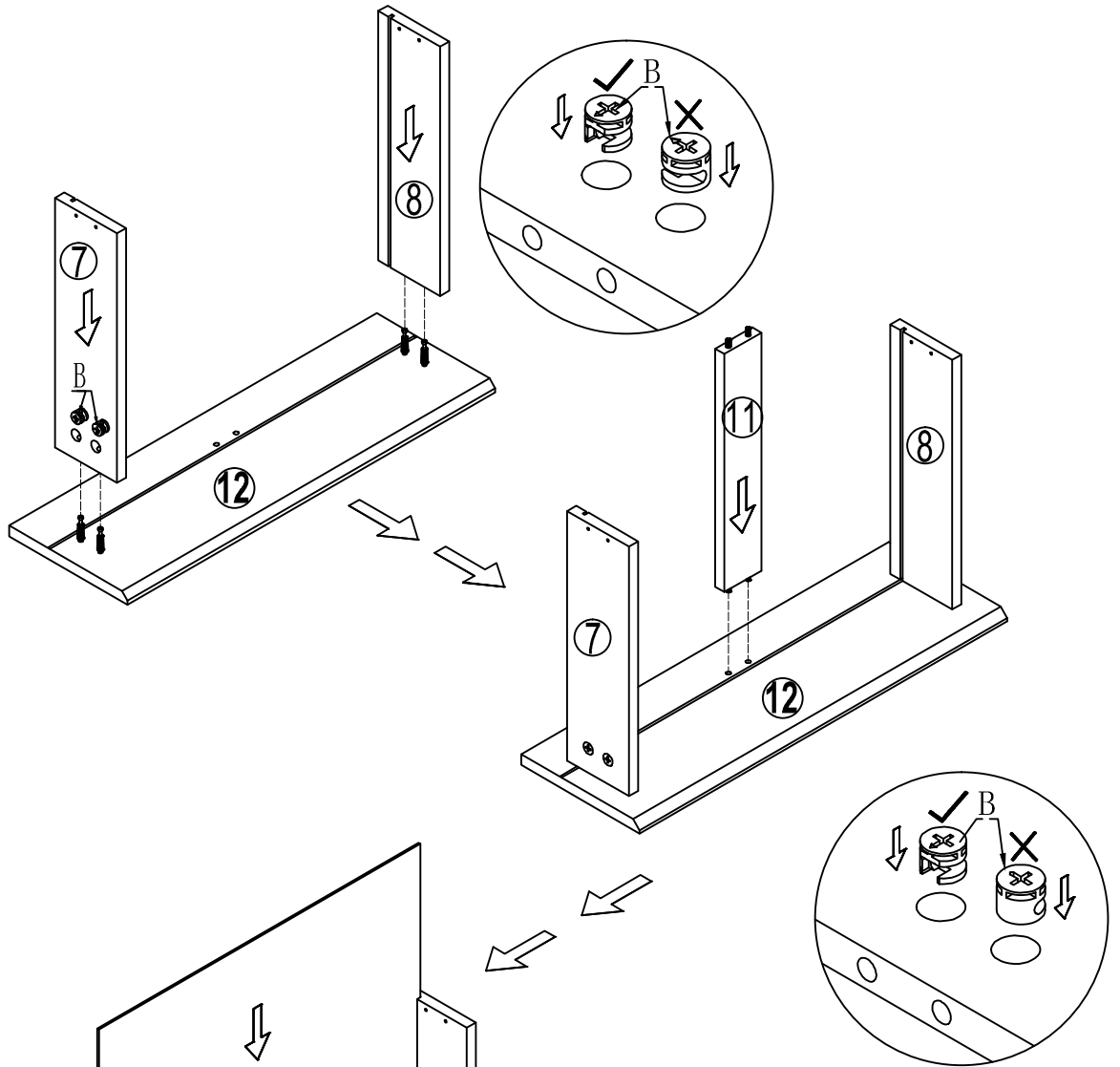
Assembly Instruction

Step 9

B=20



Lock

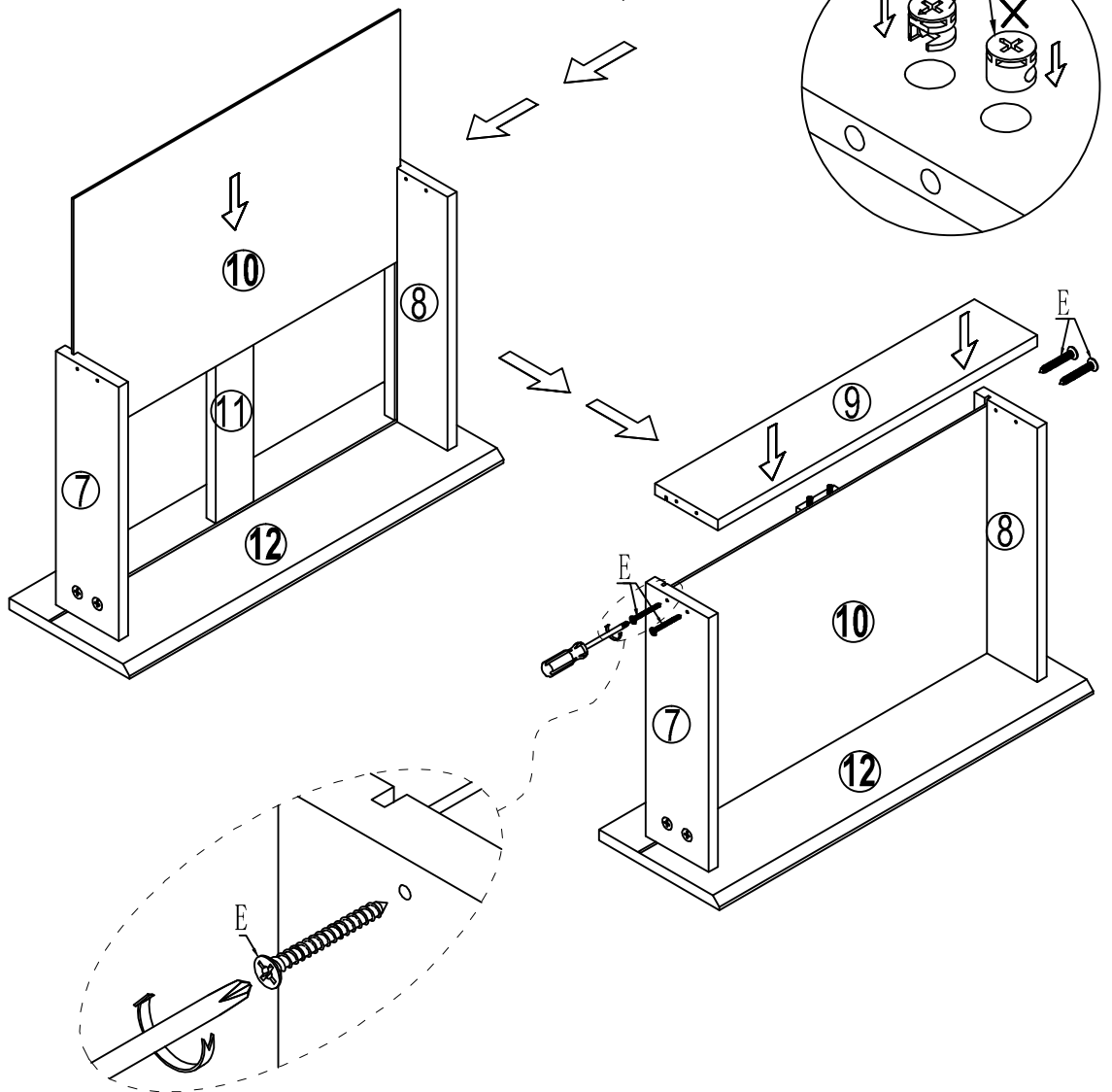


Step 10

E=20



Screw
M4*38

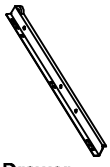


Assembly Instruction

Step 11

DR=5

DL=5



Drawer Runner

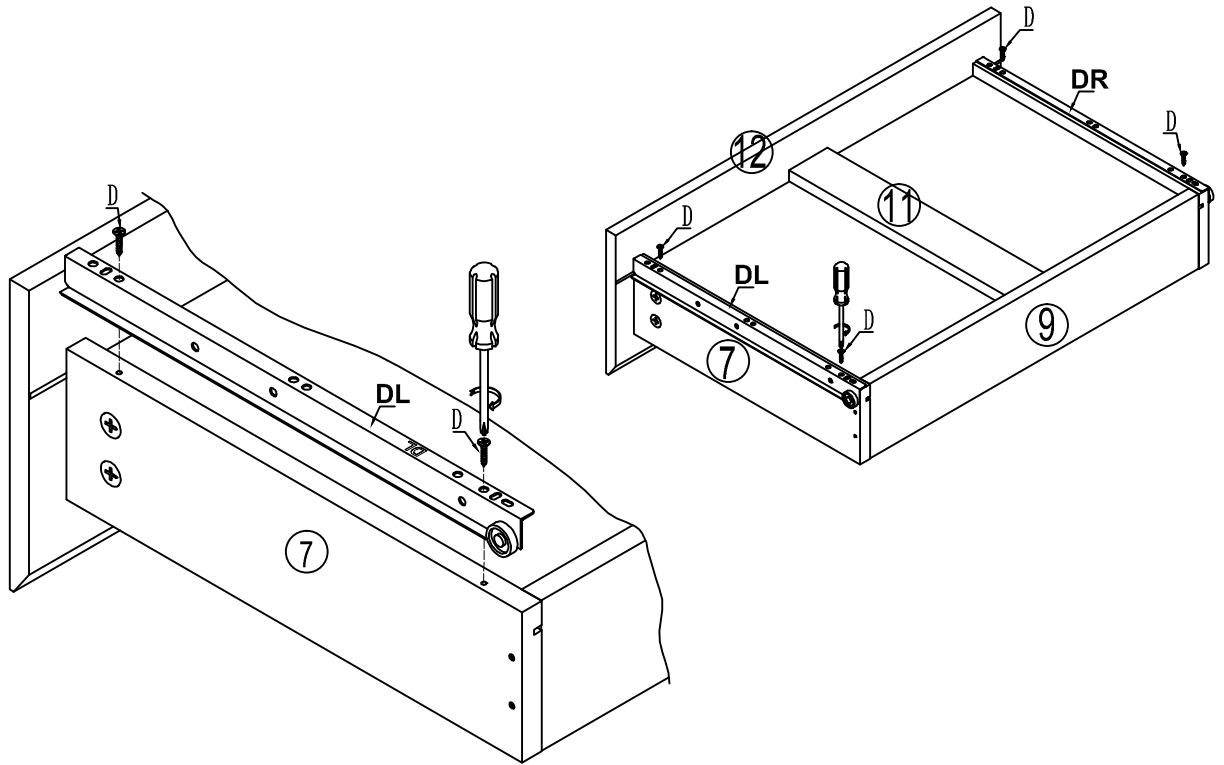


Drawer Runner

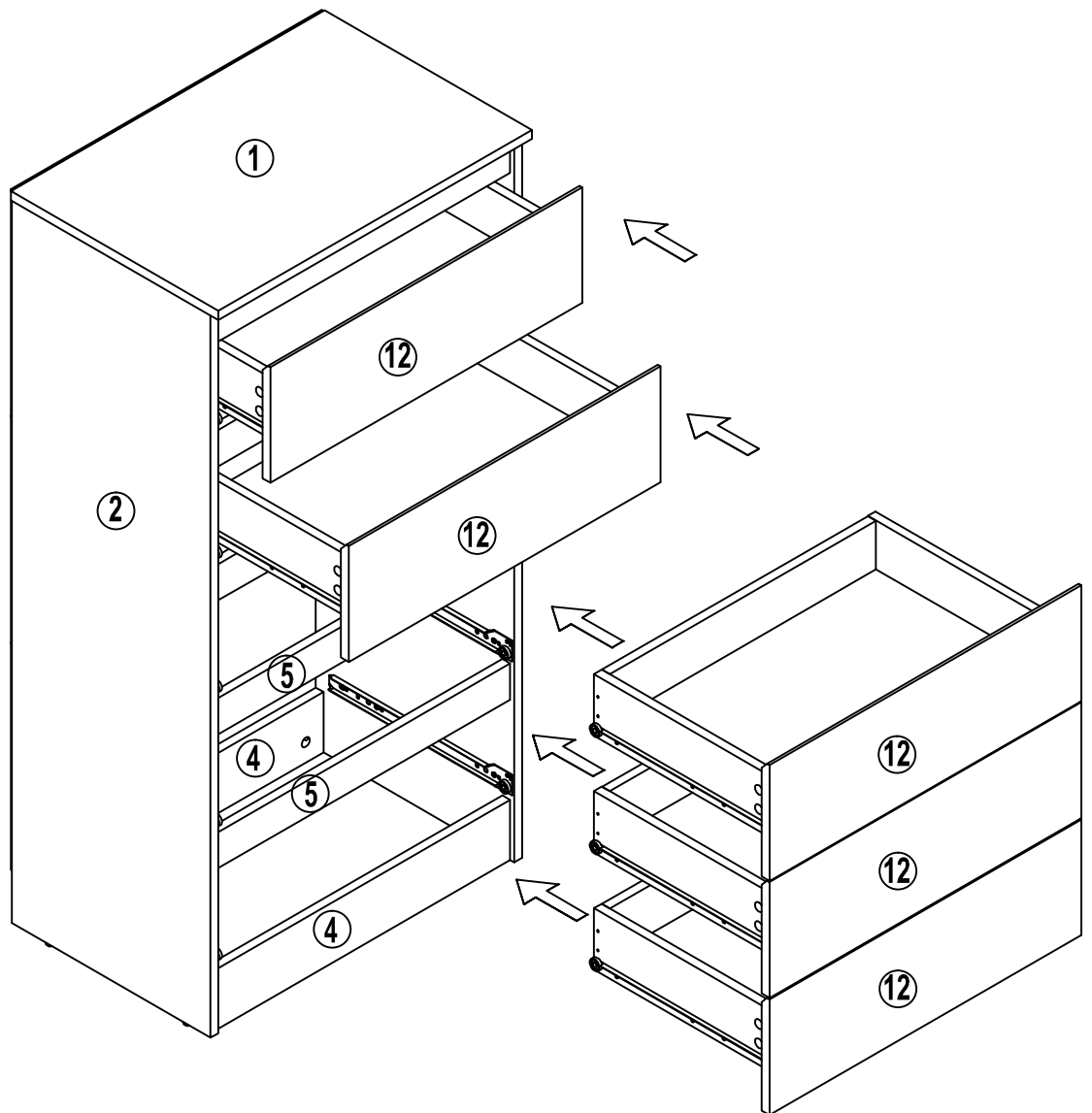
D=20



Screw
M3.5*14mm

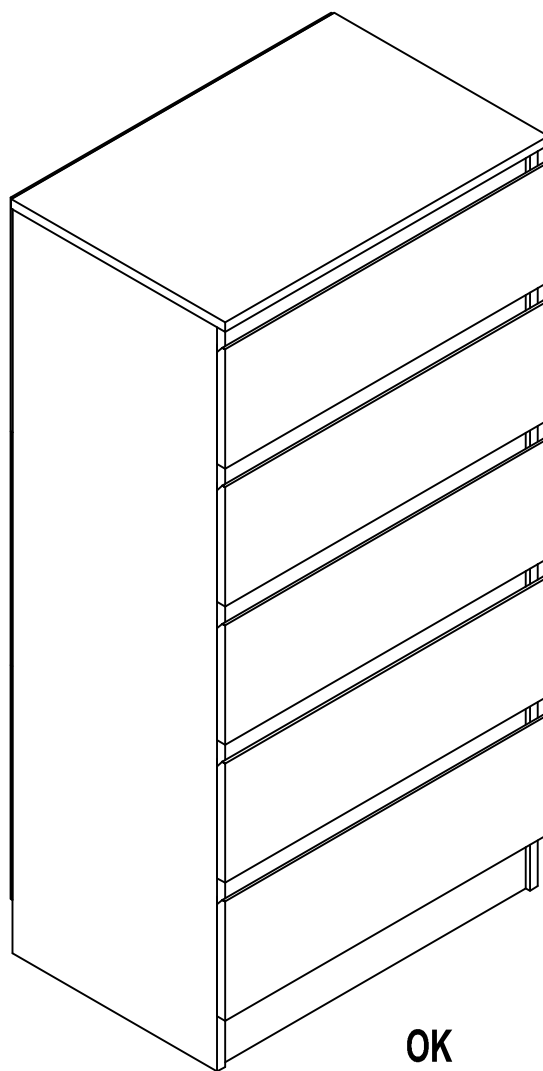


Step 12

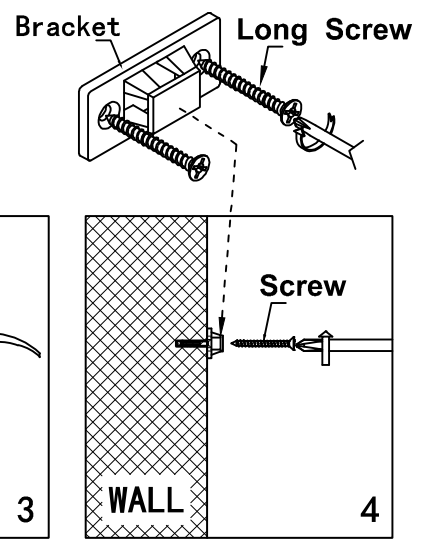
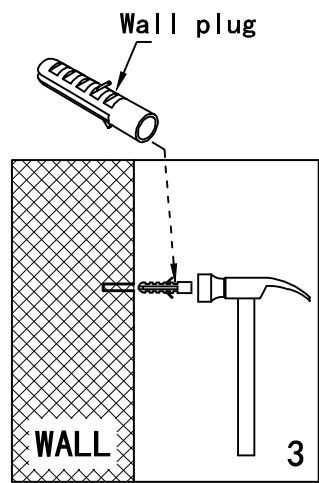
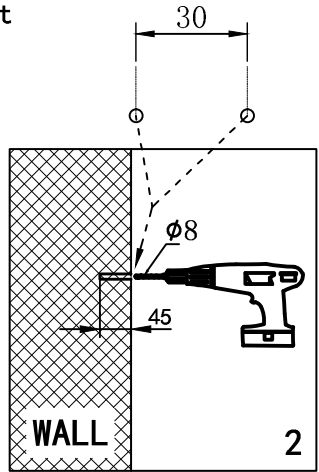
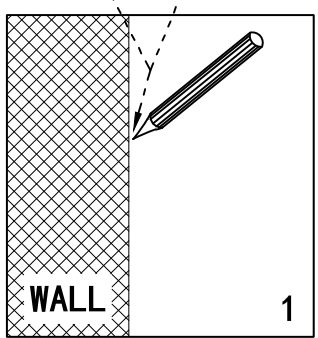
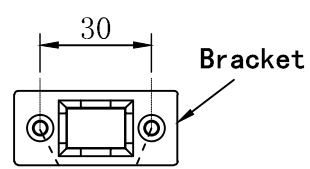
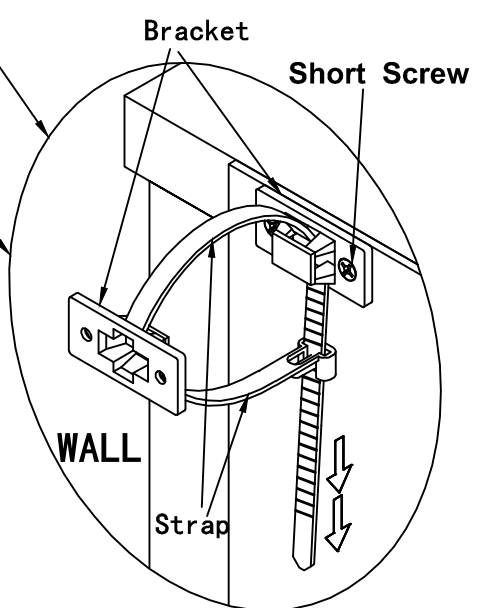
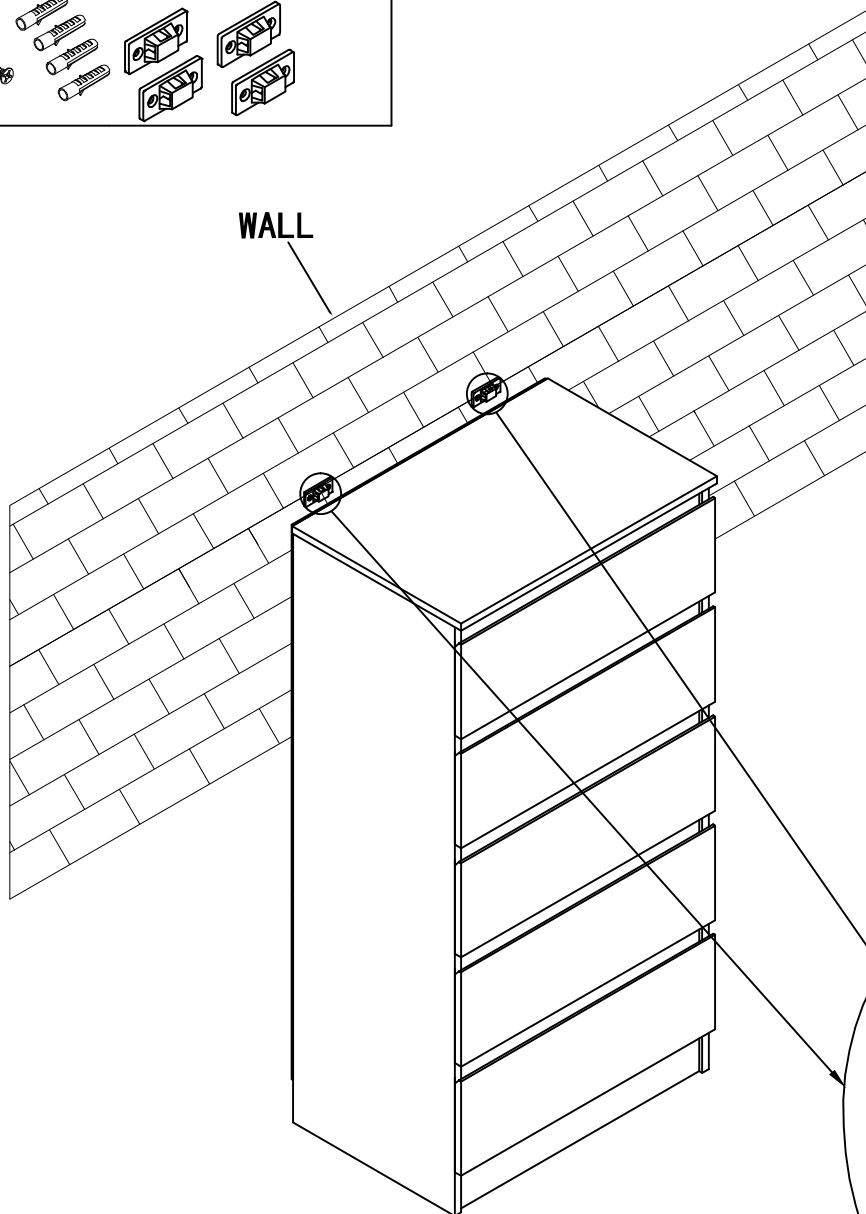
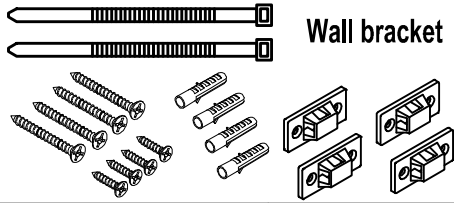


Assembly Instruction

Step 13



P=1



spacegeneral.co.nz

Great job. You're done!

**Don 't forget to share how it looks in
your space and tag us on Instagram
@spacegeneralnz**