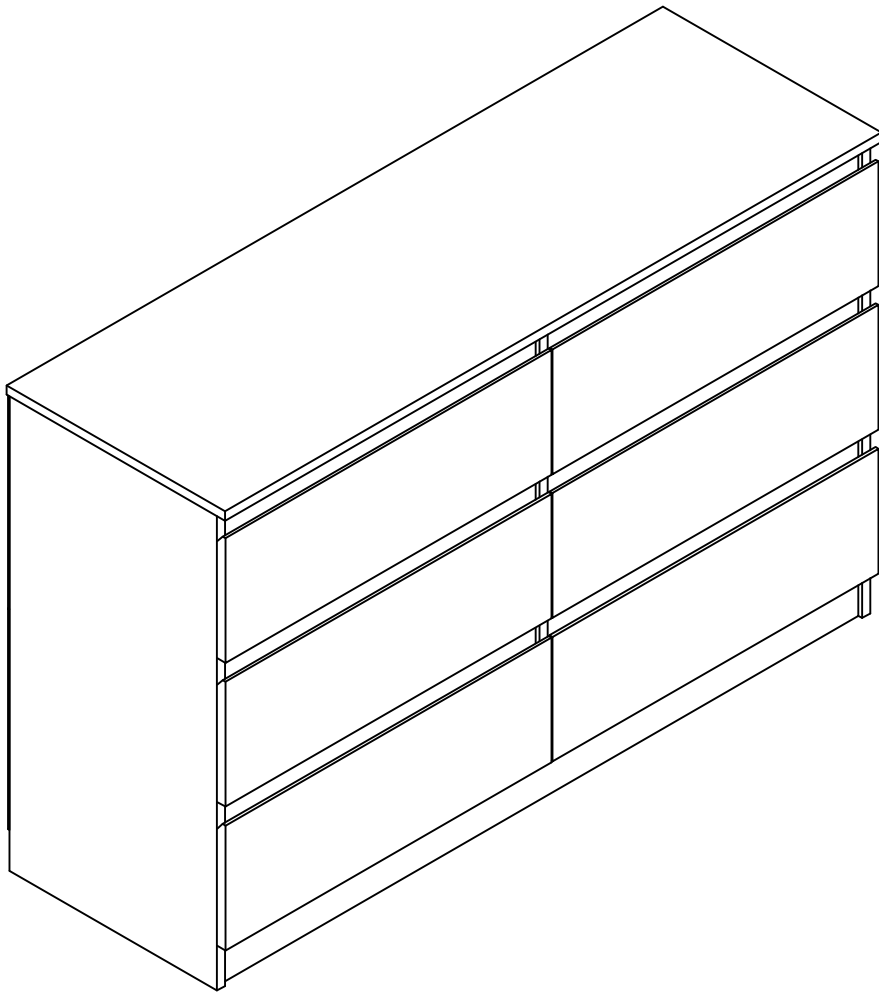


3+3 Drawers Chest

Assembly Instructions - Thank you for your purchase.
Please follow the instructions below for correct assembly.

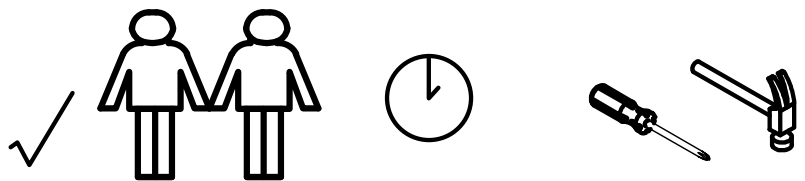


Space General

Safety and Care Advice

IMPORTANT - Please Read This Instruction Carefully Before Assembly.

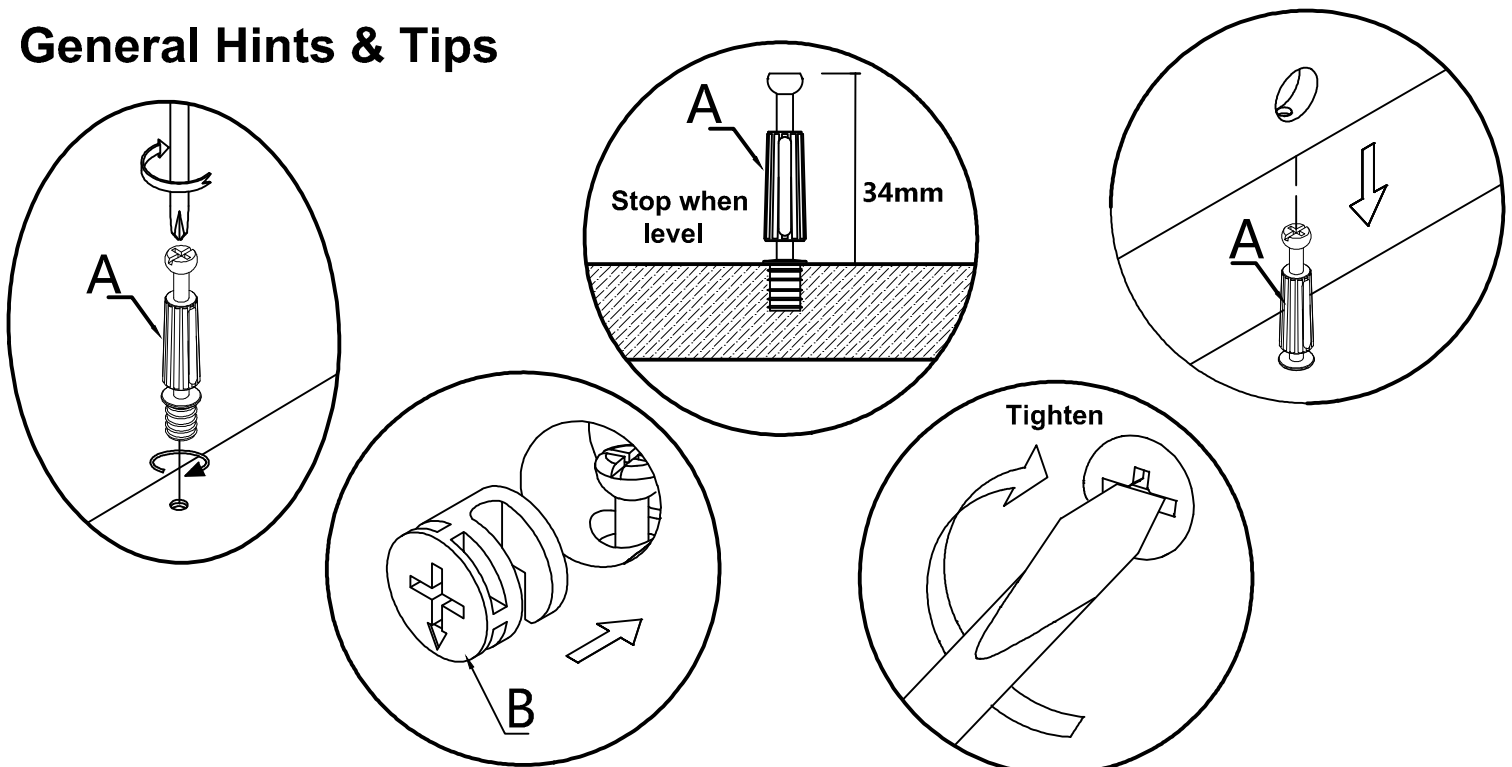
- Check you have all the components and tools listed on page 3.
- Do not stand or put weight on the product, this could cause damage.
- Do not use power drill/drivers for assembly, or the unit may be damaged.
- Remove all settings from the plastic bags and separate them into their groups.
- Assemble the item as close to it's intended position (in the same room) as possible.
- Assemble on a soft level surface to avoid damaging the unit.
- Dispose of all packaging carefully and responsibly.
- Keep children and animals away from the work area, small parts could choke if swallowed.
- Assemble on a soft level surface to avoid damaging the unit.
- Parts of the assembly will be easier with 2 people.
- Make sure you have enough space to layout the parts before assembly.



CARE and MAINTENANCE

- Only clean using a damp cloth and mild detergent, do not use bleach or abrasive cleaners.
- From time to time check that there are no loose screws on this unit.
- This product should not be discarded with household waste. Take to your local authority waste disposal center.

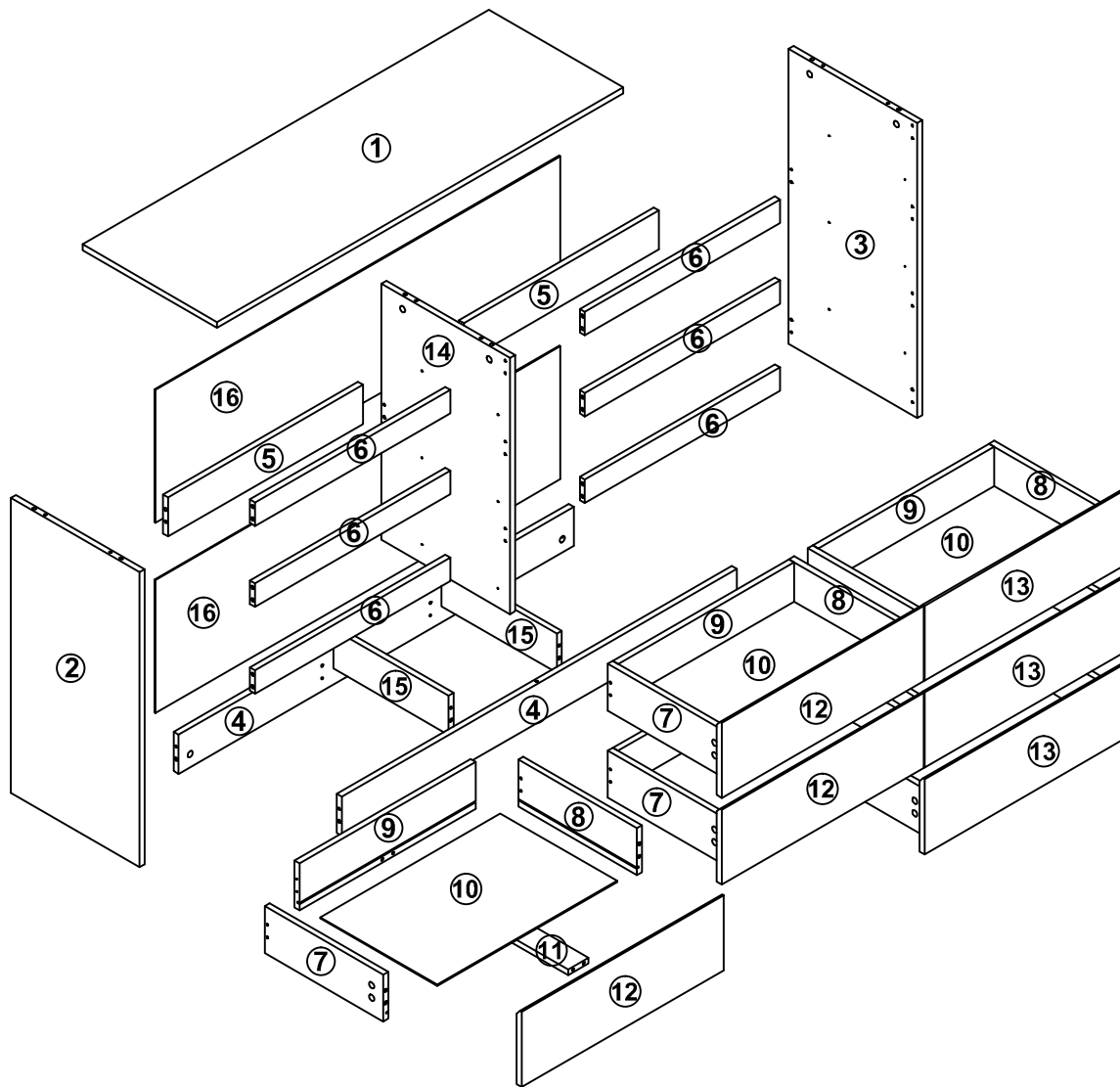
General Hints & Tips

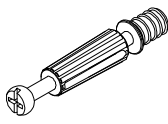
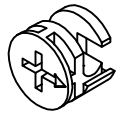
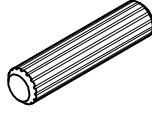
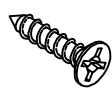
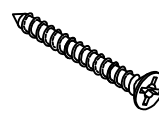
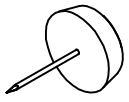




Components and Tools

IMPORTANT - Please Check If You Have All The Components and Tools.

Note: The quantities below are the correct amount to complete the assembly. In some cases more pieces may be supplied than are required.



A=66  Peg M6*34mm	B=66  Lock M15*12mm	C=44  Dowel M6*30mm	D=48  Screw M3.5*14mm	E=24  Screw M4*38	F=8  Plastic Feet
G=18  Pin	CR CL DR DL=6  Drawer Runner				

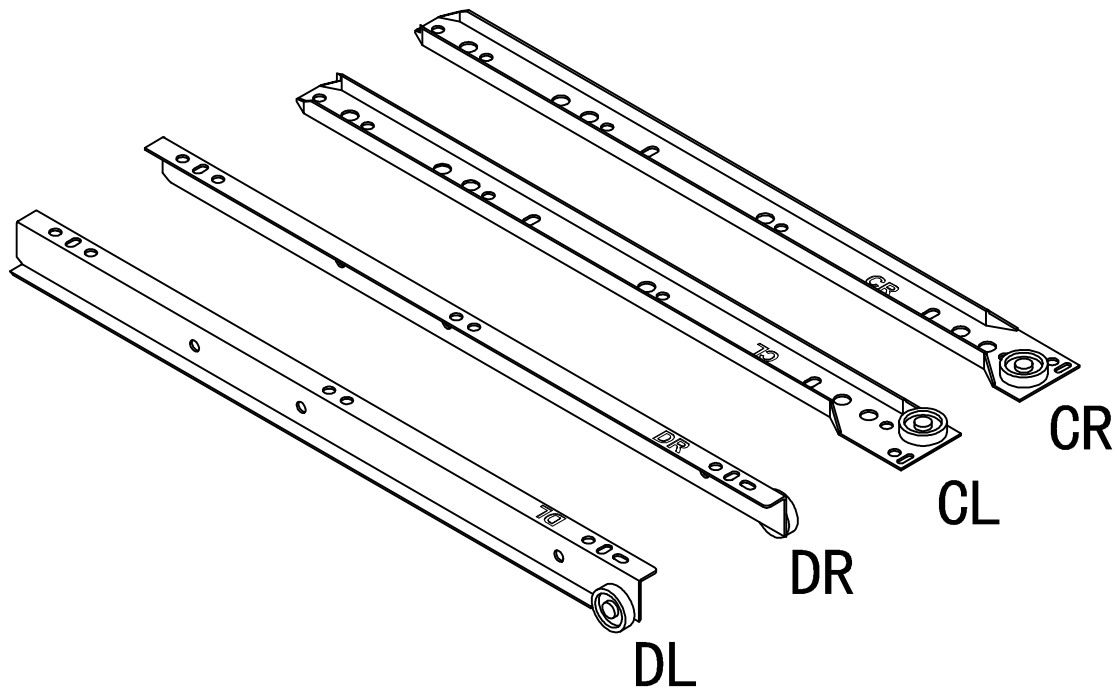
10F2 ①, ④X2, ⑤X2, ⑥X6, ⑩X6, ⑫X3, ⑬X3, ⑮X2, ⑯X2,

20F2 ②, ③, ⑦X6, ⑧X6, ⑨X6, ⑪X6, ⑭, FITTING KIT

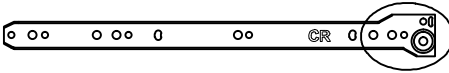
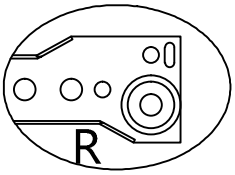
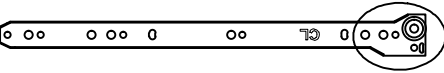
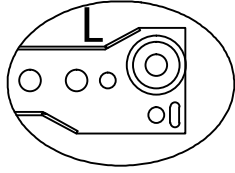

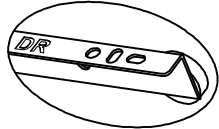
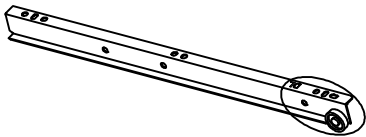
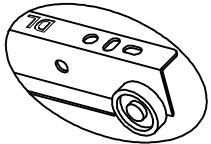
Drawer Runner Instruction

IMPORTANT - Please Read It Carefully.

NOTE:1 PAIR DRAWER RUNNER INCLUDES 4 PIECES.



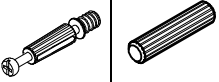
Fittings (not to scale)

NO.	DESCRIPTION	QTY		
CR	Outer Drawer Runner - Right	6PCS		
CL	Outer Drawer Runner - Left	6PCS		
DR	Inner Drawer Runner - Right	6PCS		
DL	Inner Drawer Runner - Left	6PCS		

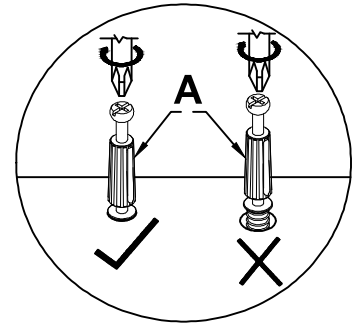
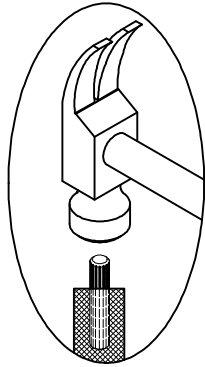
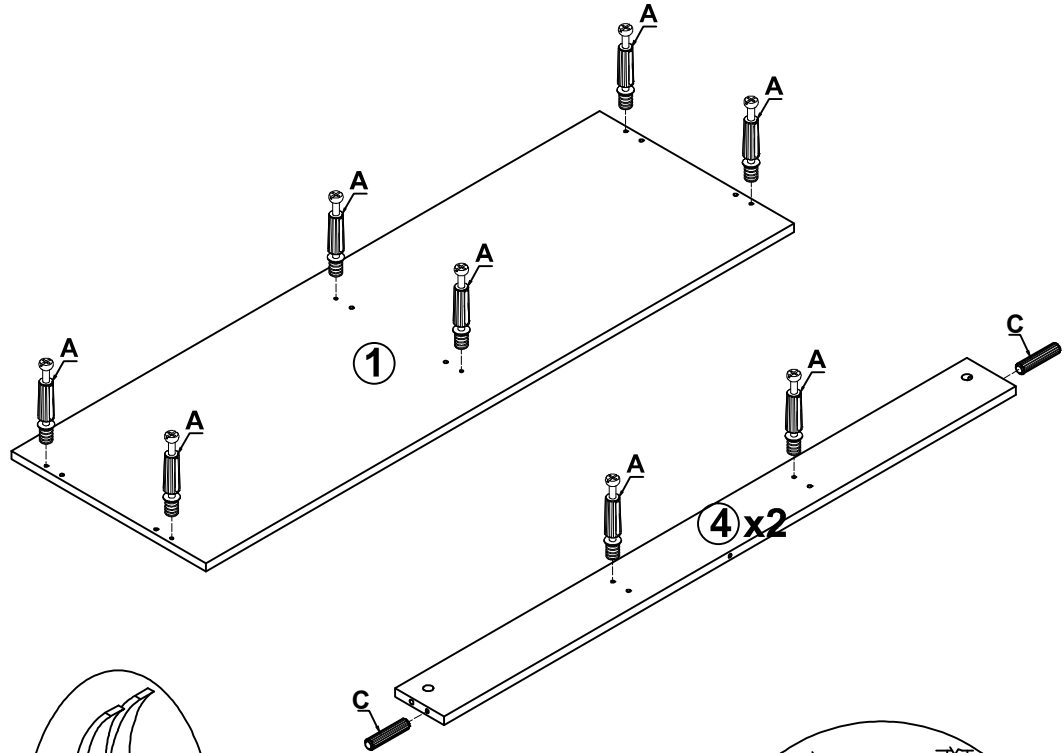
Assembly Instruction

Step 1

A=10 C=4

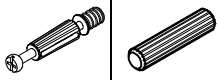


Peg Dowel

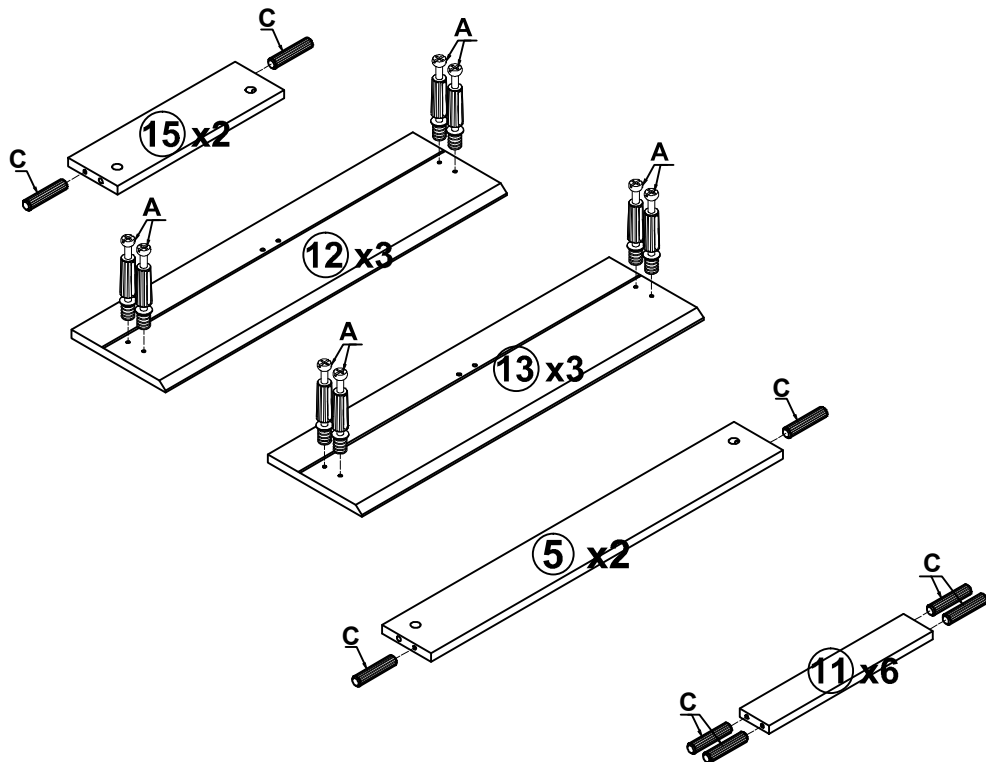


Step 2

A=24 C=32

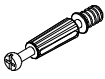

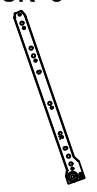



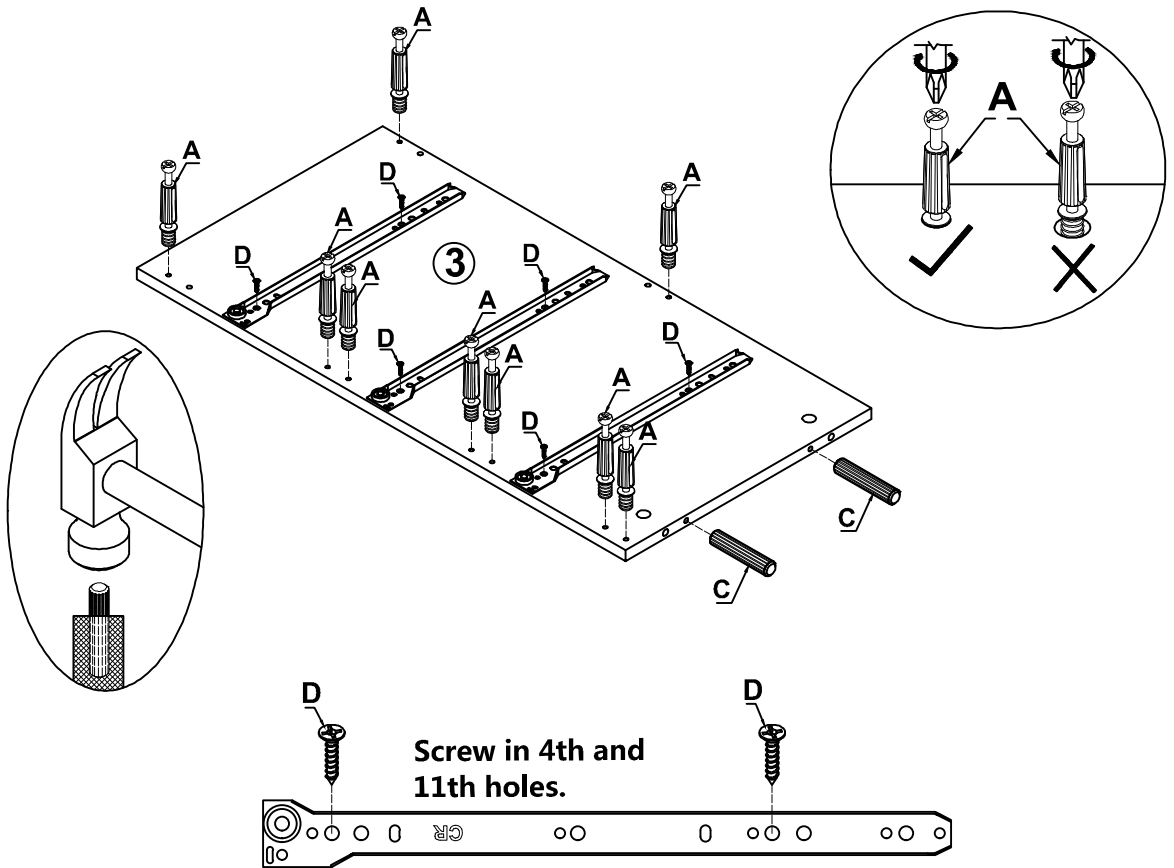
Peg Dowel



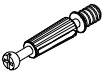
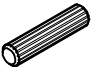
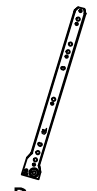

Assembly Instruction

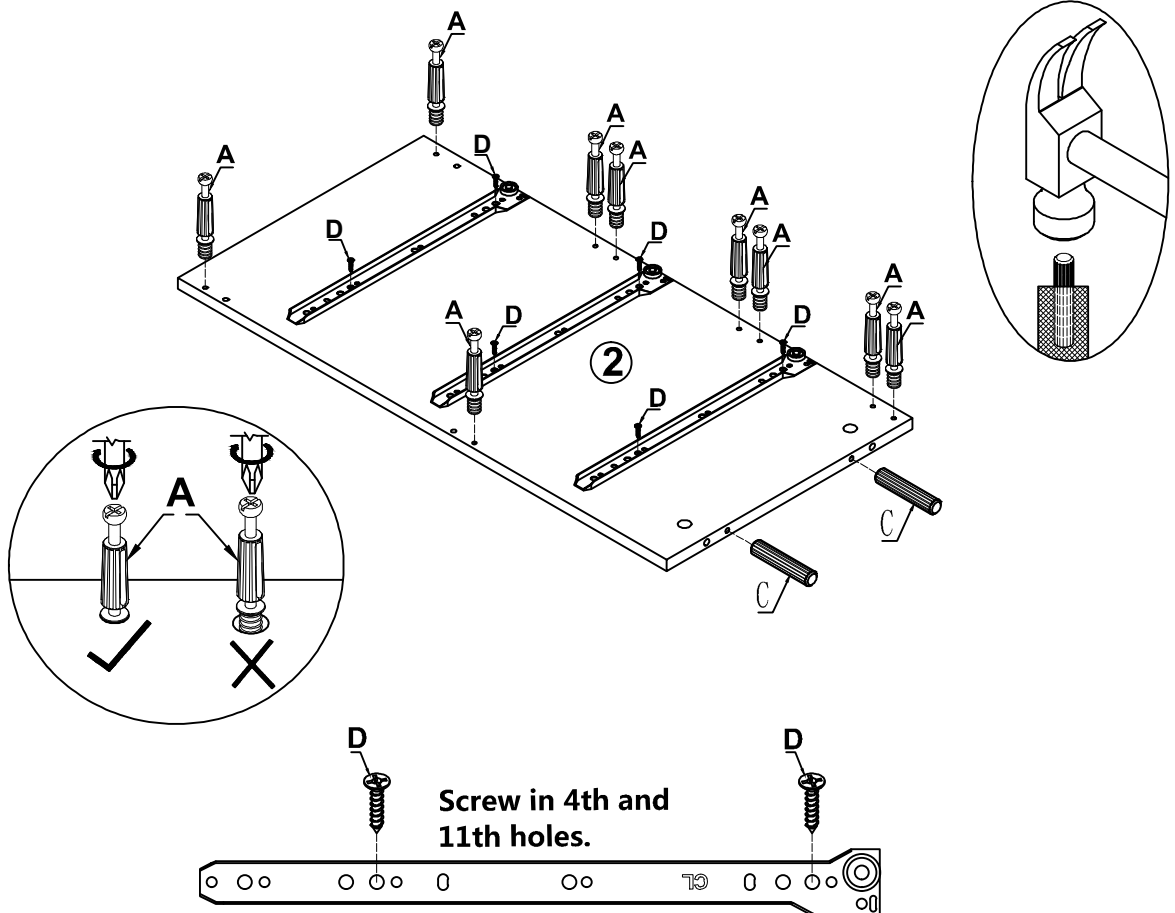
Step 3

A=9	C=2
	
Peg	Dowel
CR=3	D=6
	
Drawer Runner	Screw M3.5*14mm



Step 4

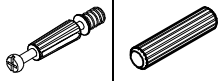
A=9	C=2
	
Peg	Dowel
CL=3	D=6
	
Drawer Runner	Screw M3.5*14mm



Assembly Instruction

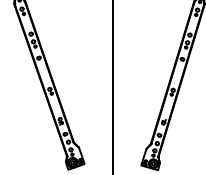
Step 5

A=14 C=4



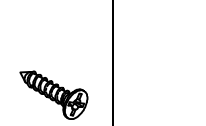
Peg Dowel

CR=3 CL=3

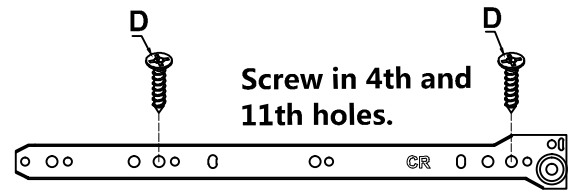
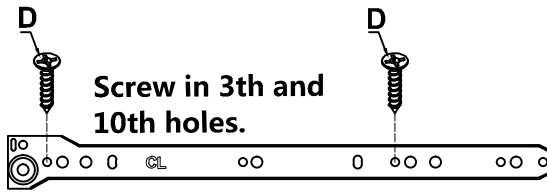
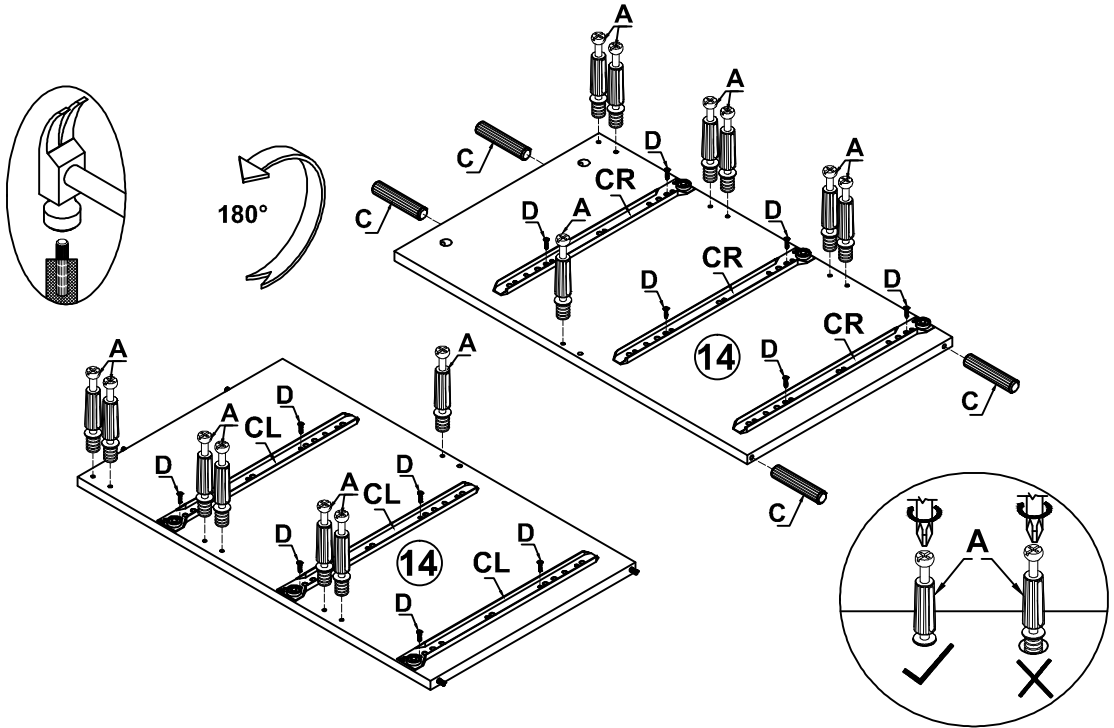


Drawer Runner Drawer Runner

D=12



Screw M3.5*14mm

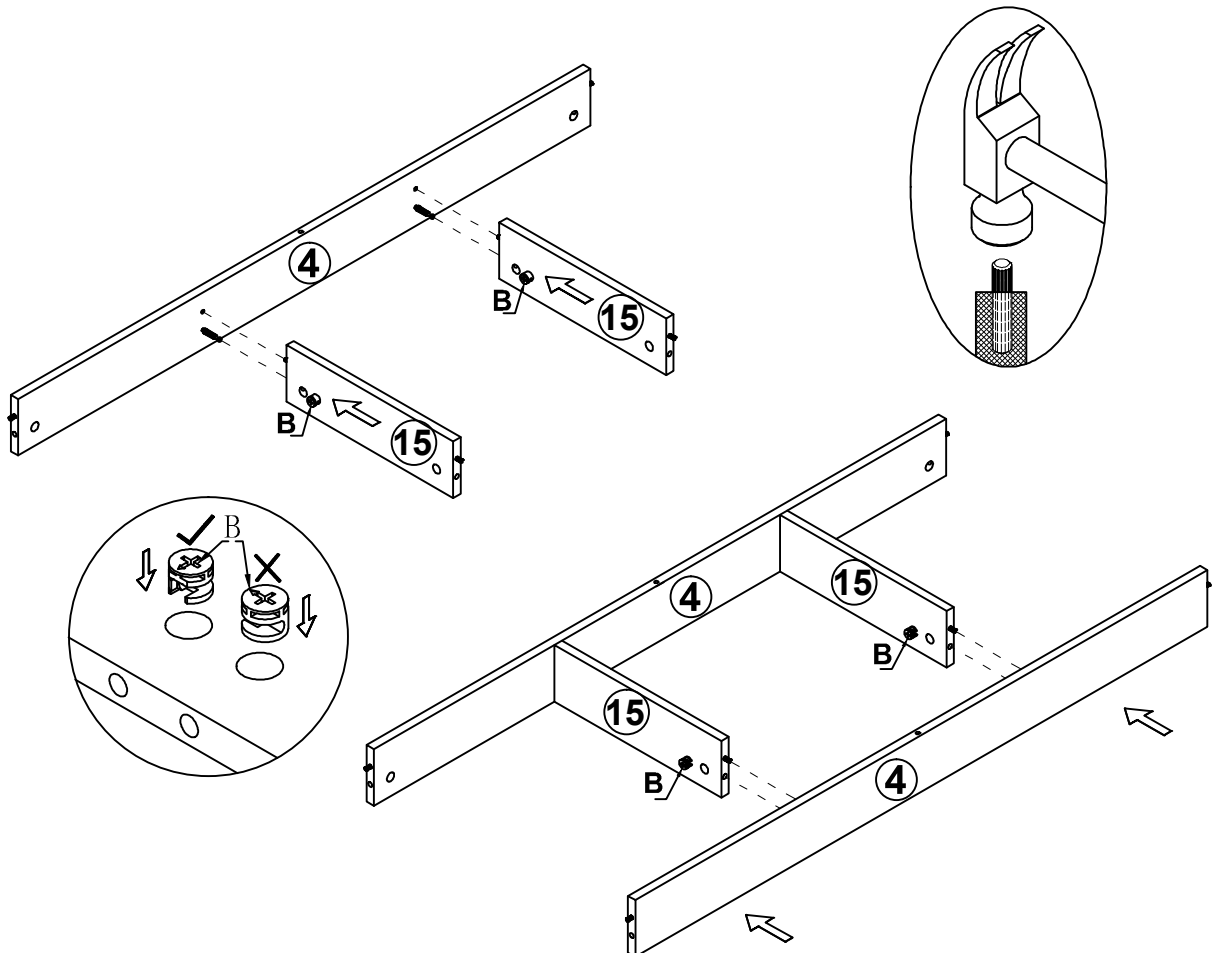


Step 6

B=4



Lock



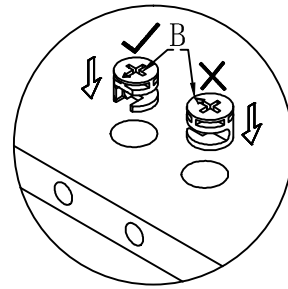
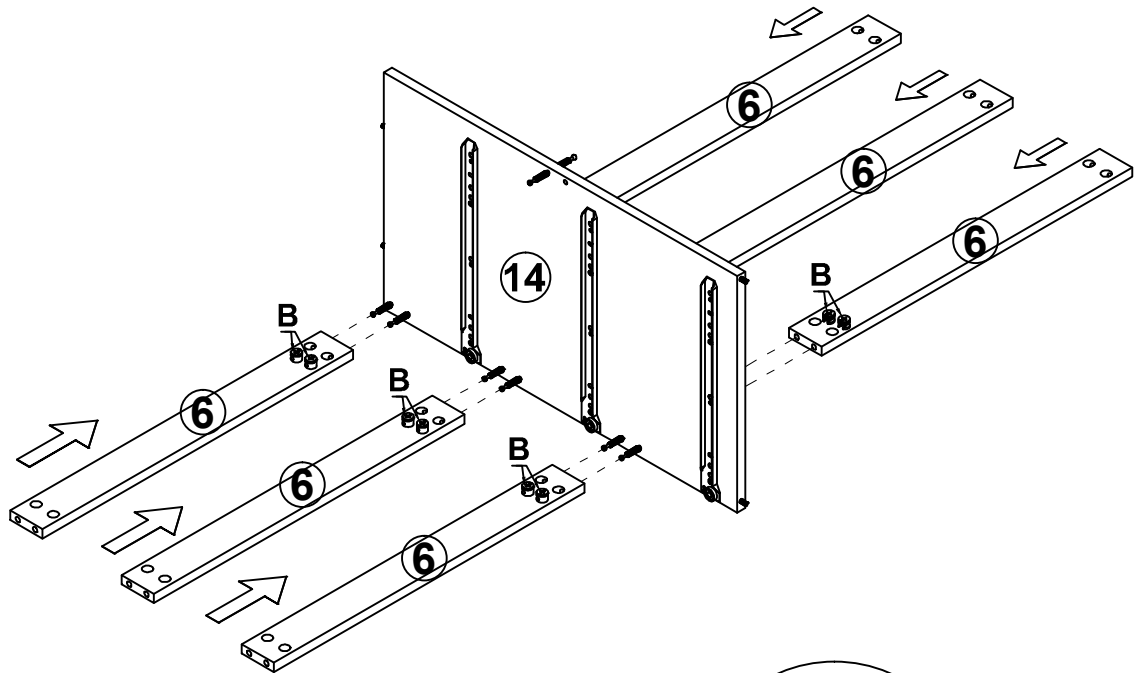
Assembly Instruction

Step 7

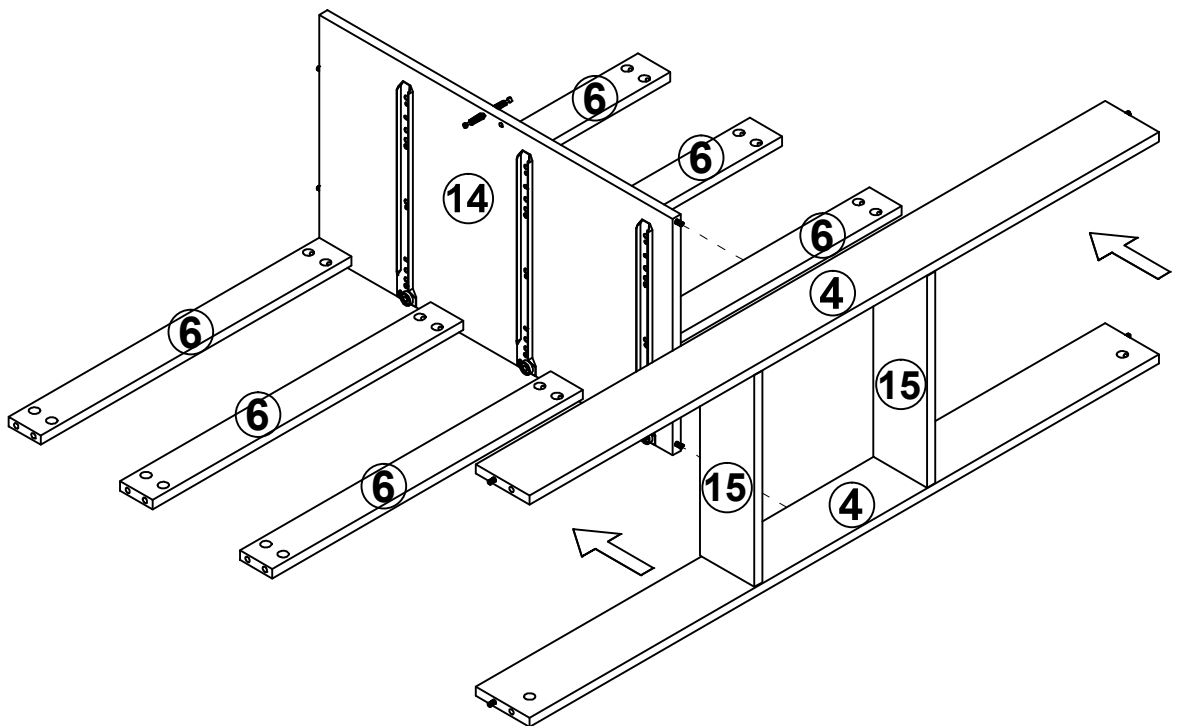
B=12



Lock



Step 8



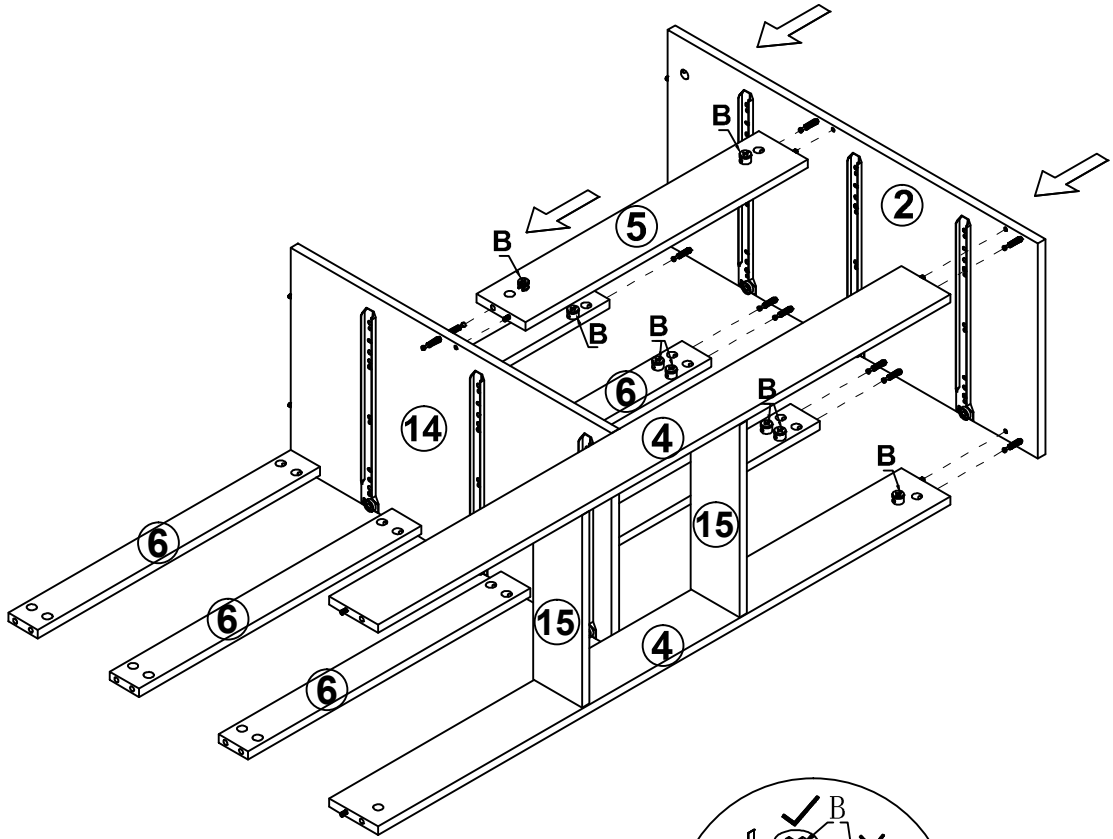
Assembly Instruction

Step 9

B=10



Lock

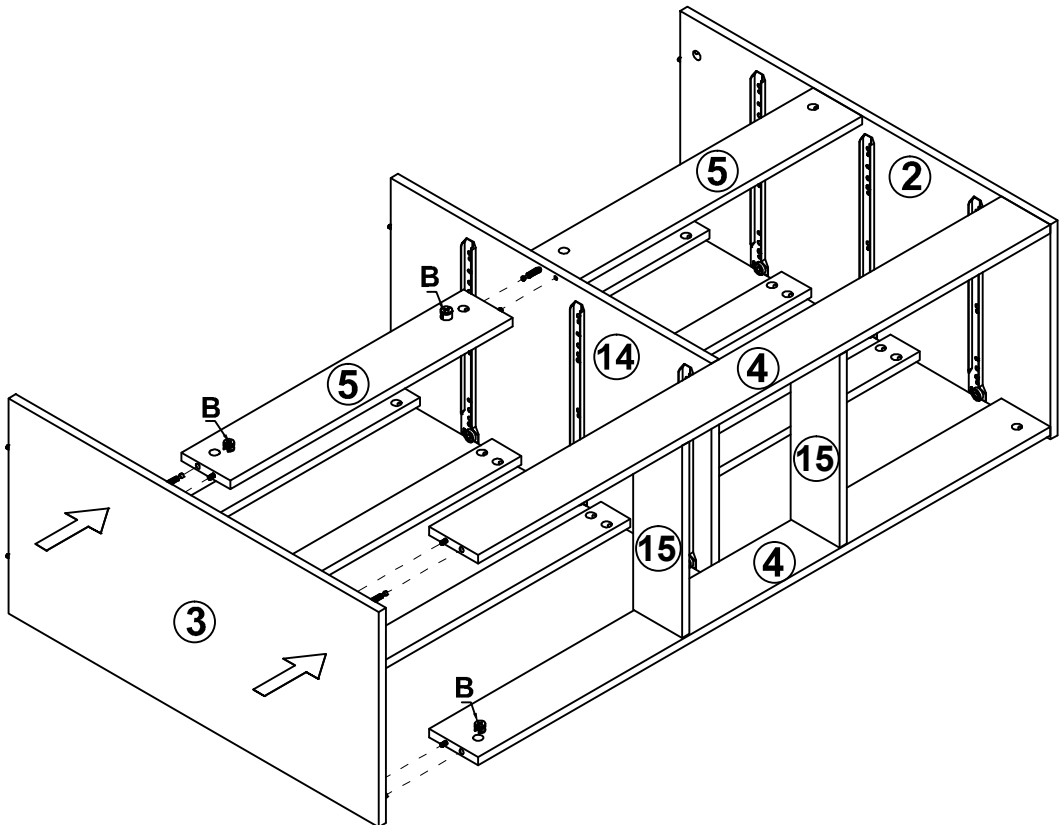


Step 10

B=10



Lock

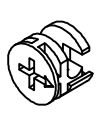


Assembly Instruction

Step 11

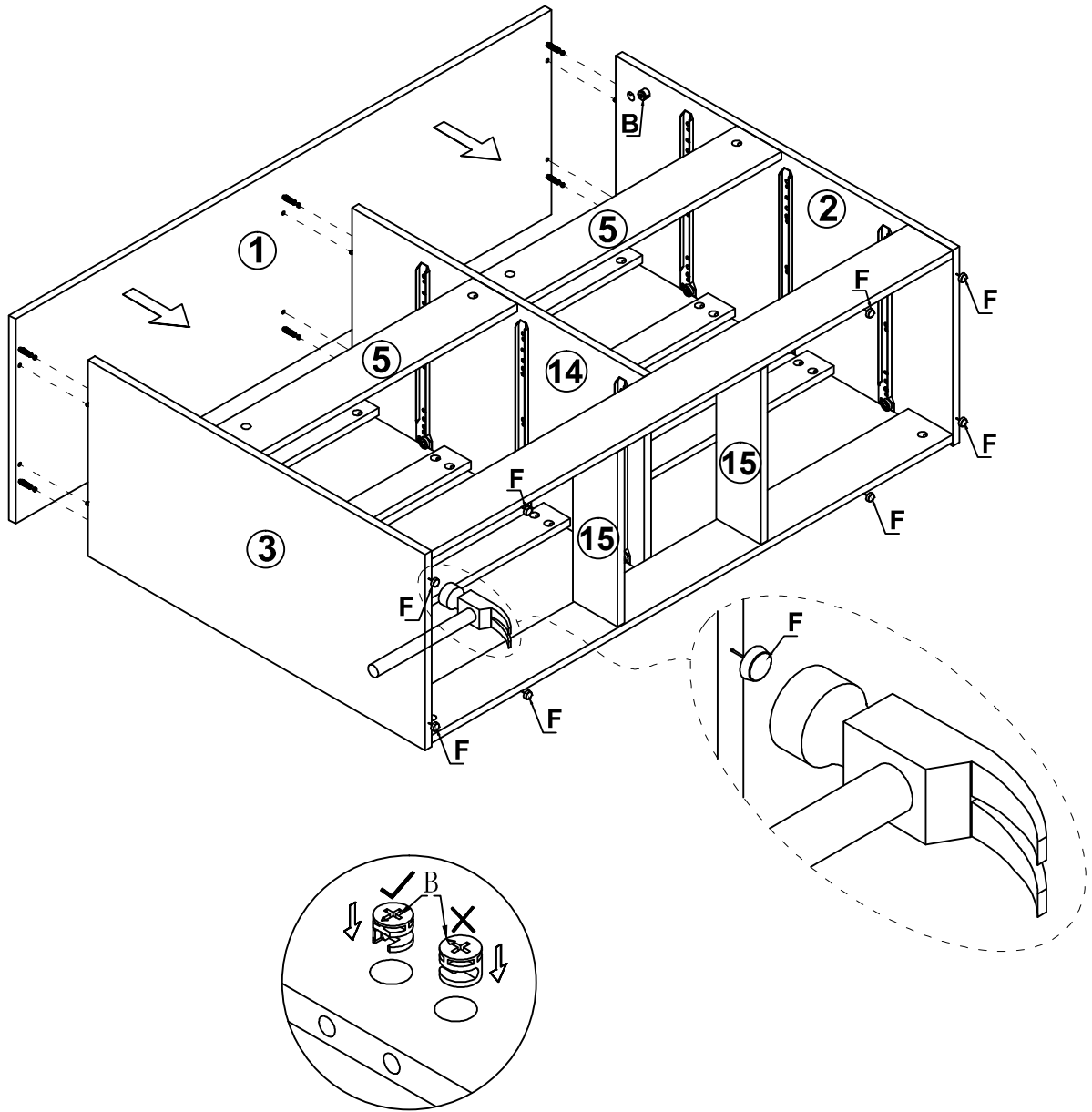
B=6

F=8

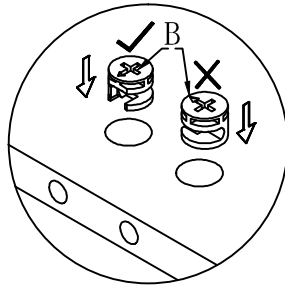


Lock

Plastic
Feet

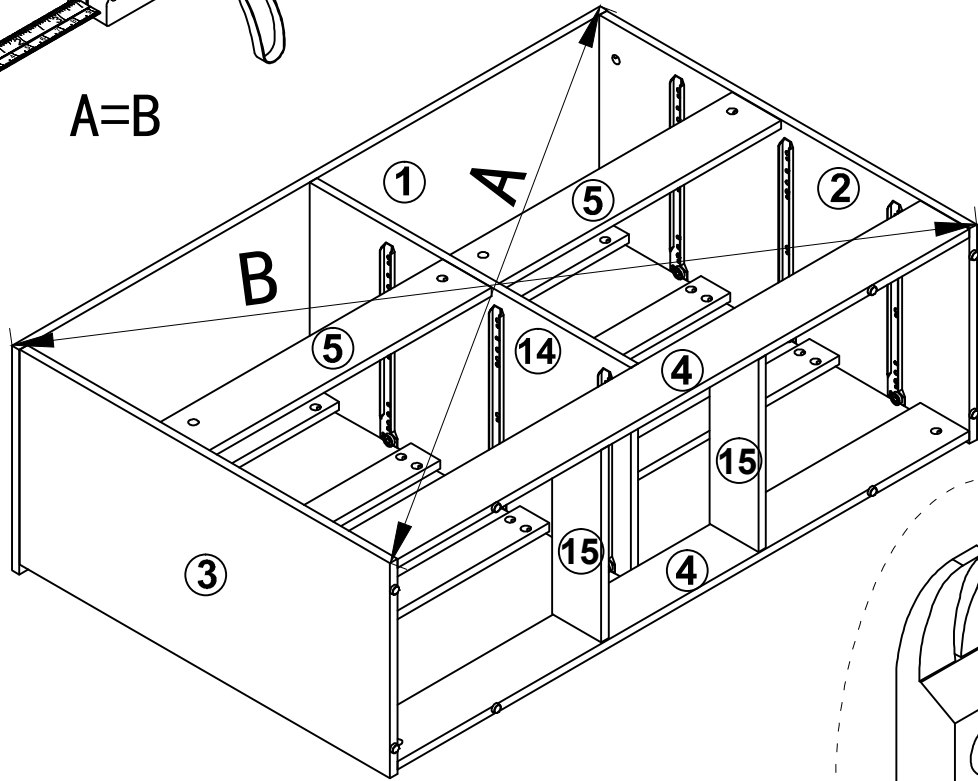
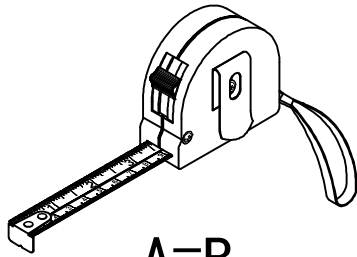


Step 12



Assembly Instruction

Step 13

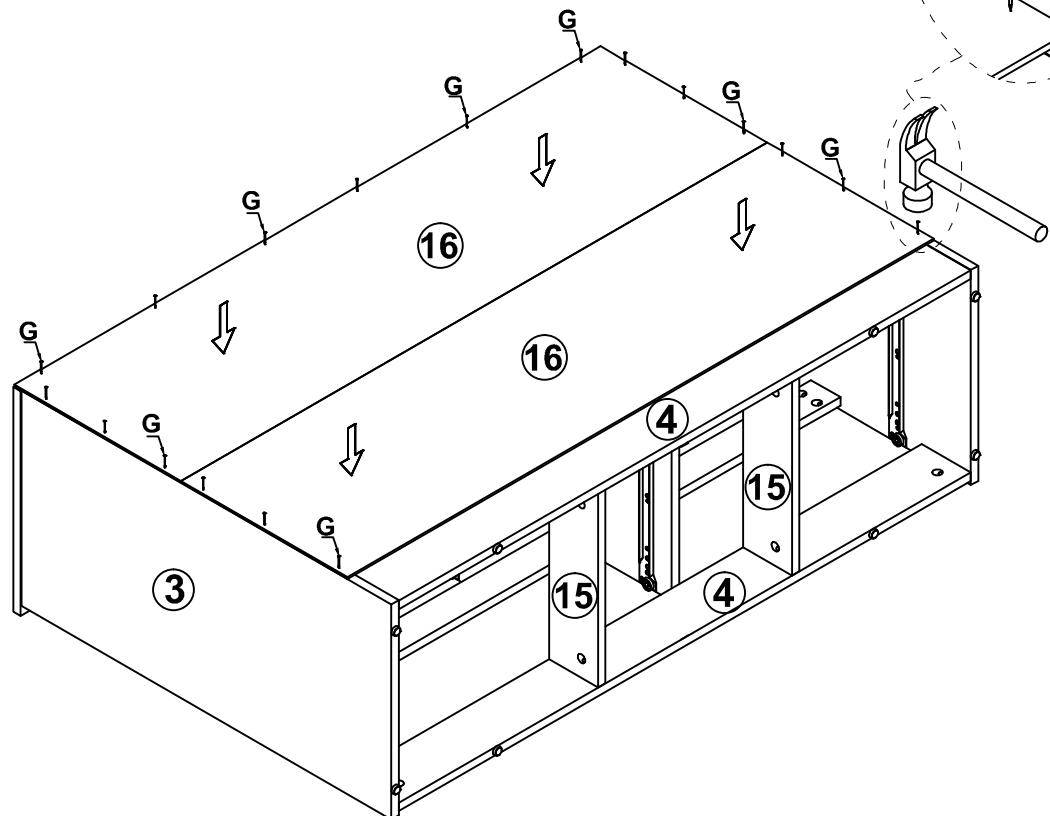


Step 14

G=18



Pin



Assembly Instruction

Step 15

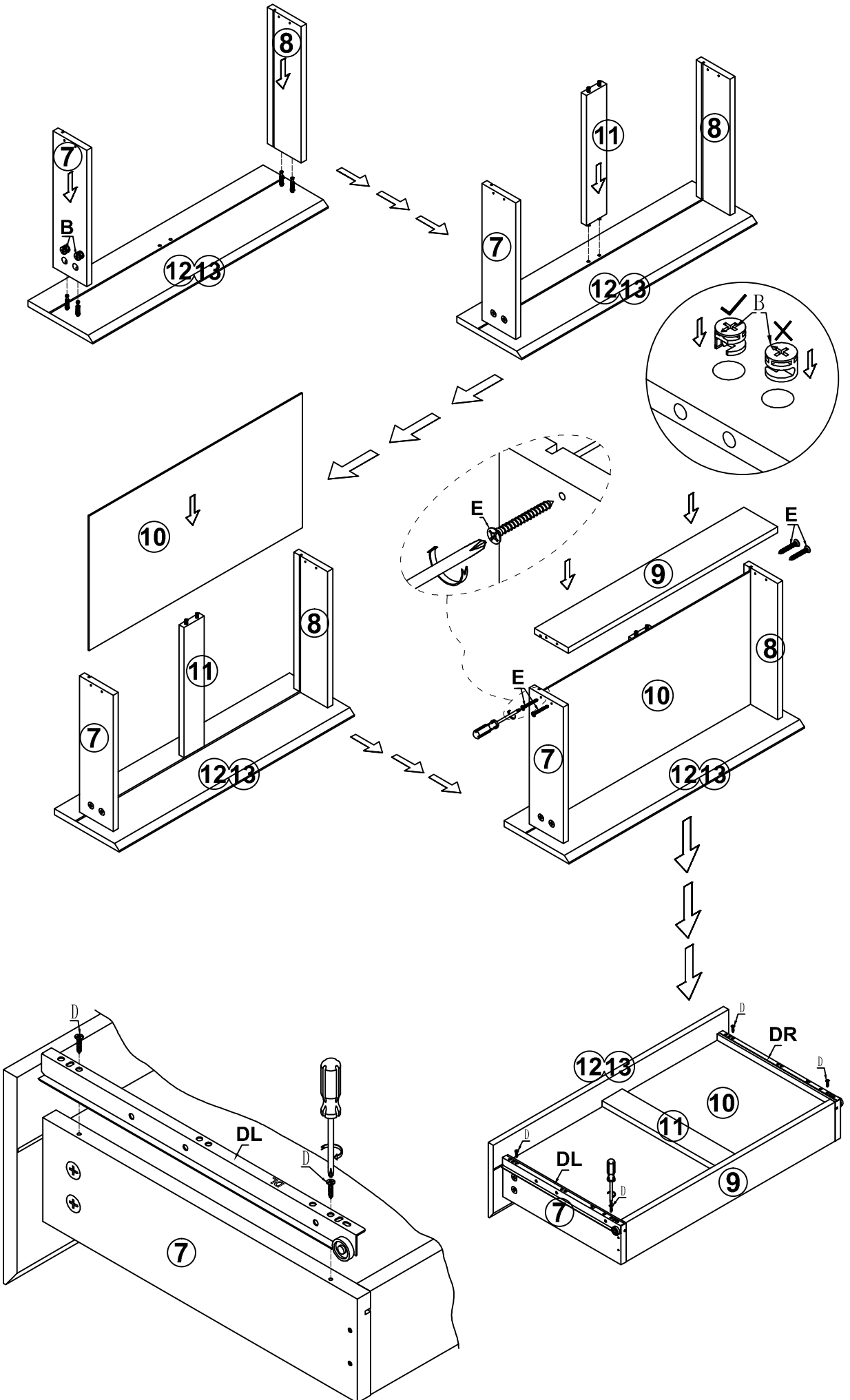
B=24

E=24



Lock

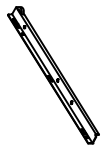
Screw
M4*38



Step 16

DR=6

DL=6



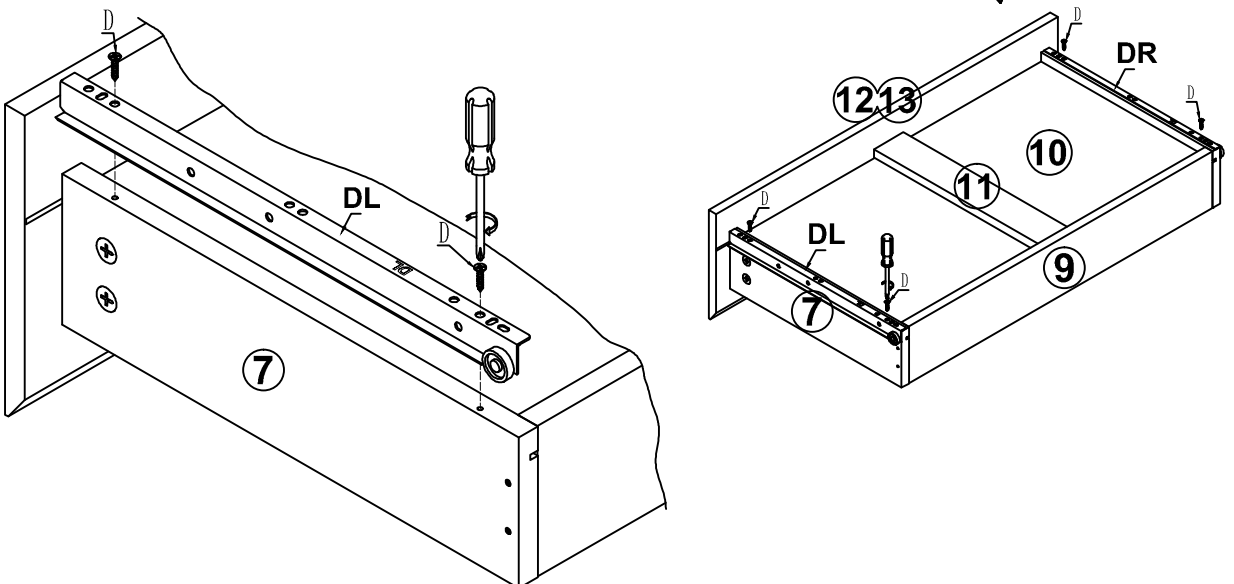
Drawer
Runner

Drawer
Runner

D=24

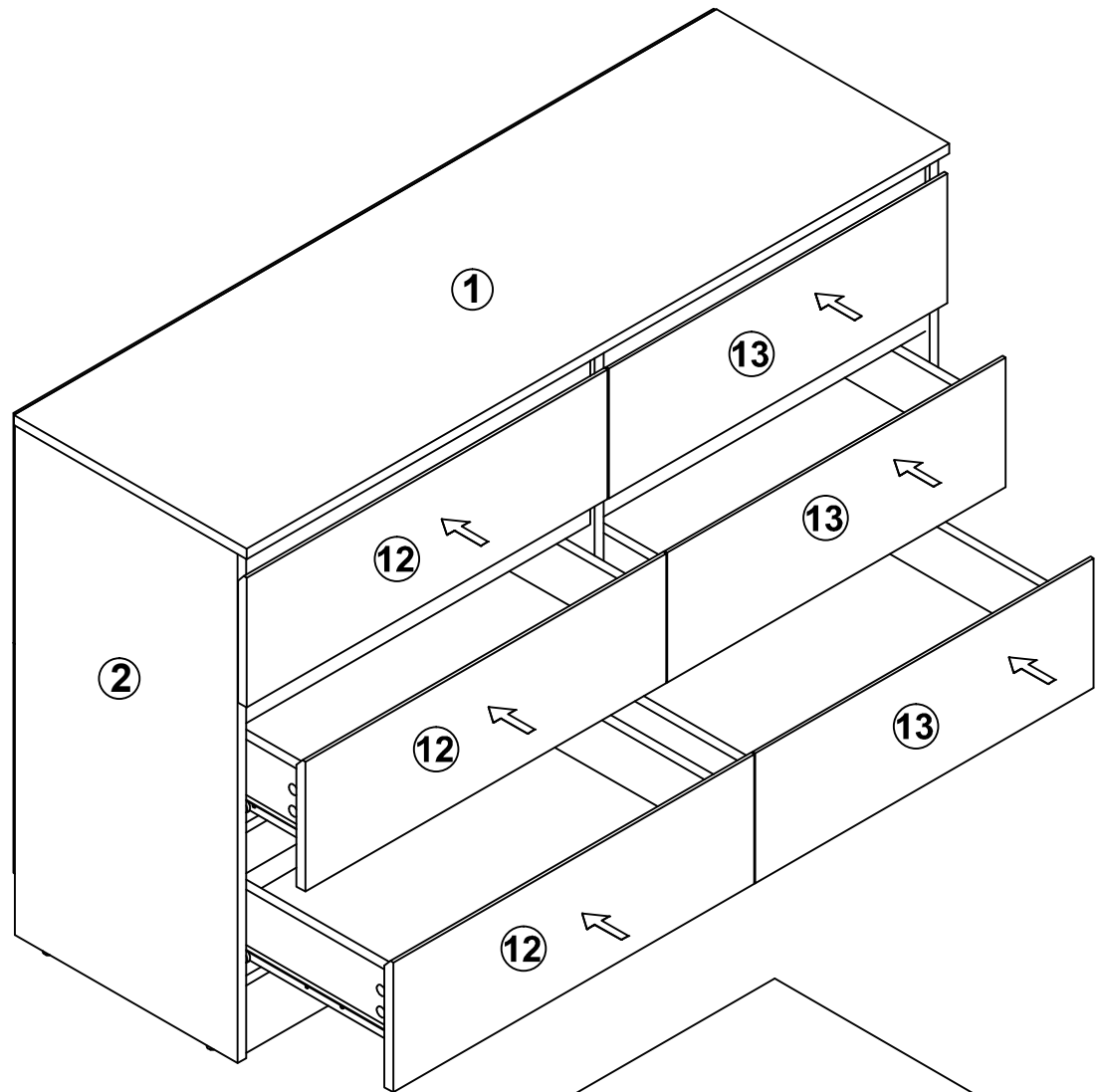


Screw
M3.5*14mm

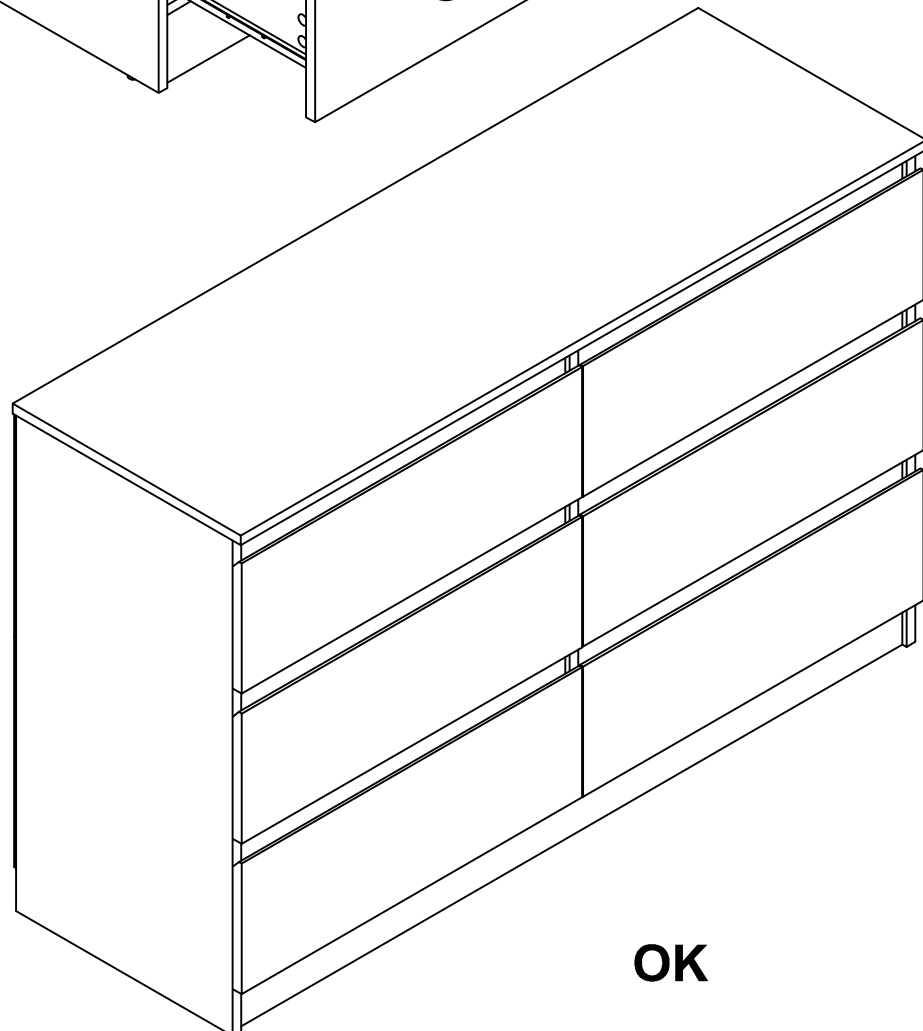


Assembly Instruction

Step 17



Step 18



spacegeneral.co.nz

Great job. You're done!

**Don 't forget to share how it looks in
your space and tag us on Instagram
@spacegeneralnz**