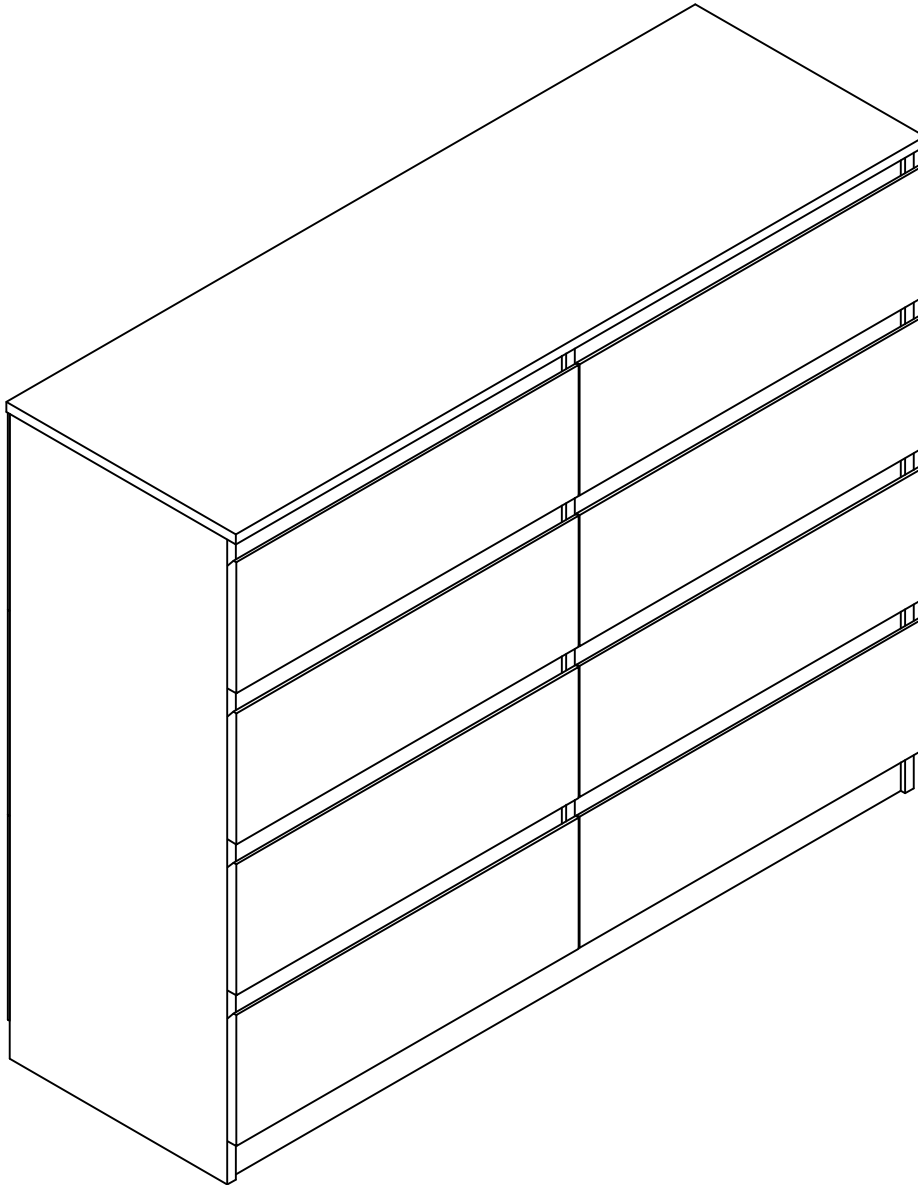


4+4 Drawers Chest

Assembly Instructions - Thank you for your purchase.
Please follow the instructions below for correct assembly.

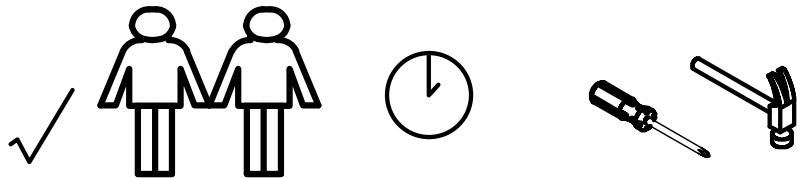
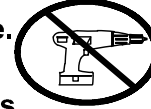


Space General

Safety and Care Advice

IMPORTANT - Please Read This Instruction Carefully Before Assembly.

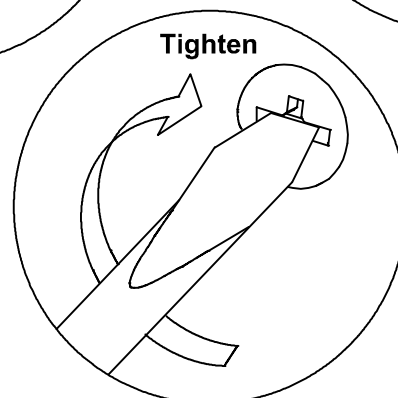
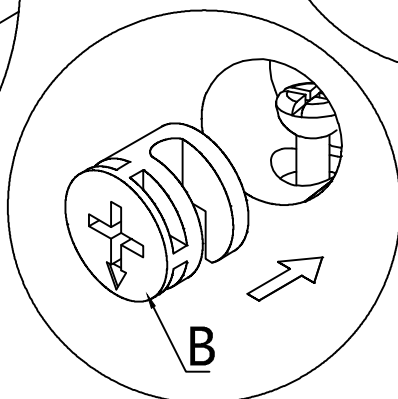
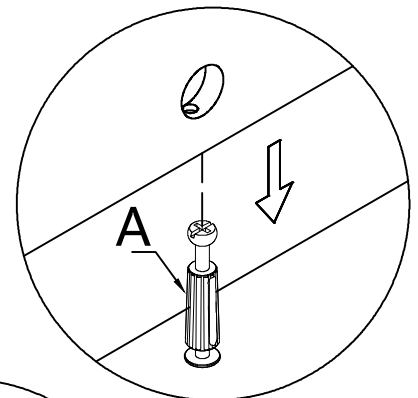
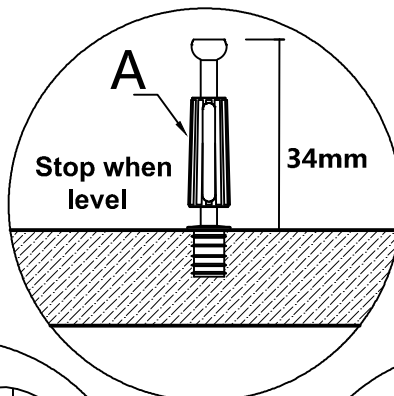
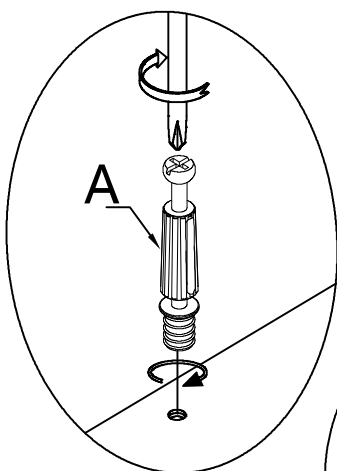
- Check you have all the components and tools listed on page 3.
- Remove all settings from the plastic bags and separate them into their groups.
- Keep children and animals away from the work area, small parts could choke if swallowed.
- Make sure you have enough space to layout the parts before assembly.
- Do not stand or put weight on the product, this could cause damage.
- Assemble the item as close to it's intended position (in the same room) as possible.
- Assemble on a soft level surface to avoid damaging the unit.
- Parts of the assembly will be easier with 2 people.
- Do not use power drill/drivers for assembly, or the unit may be damaged.
- Dispose of all packaging carefully and responsibly.



CARE and MAINTENANCE

- Only clean using a damp cloth and mild detergent, do not use bleach or abrasive cleaners.
- From time to time check that there are no loose screws on this unit.
- This product should not be discarded with household waste. Take to your local authority waste disposal center.

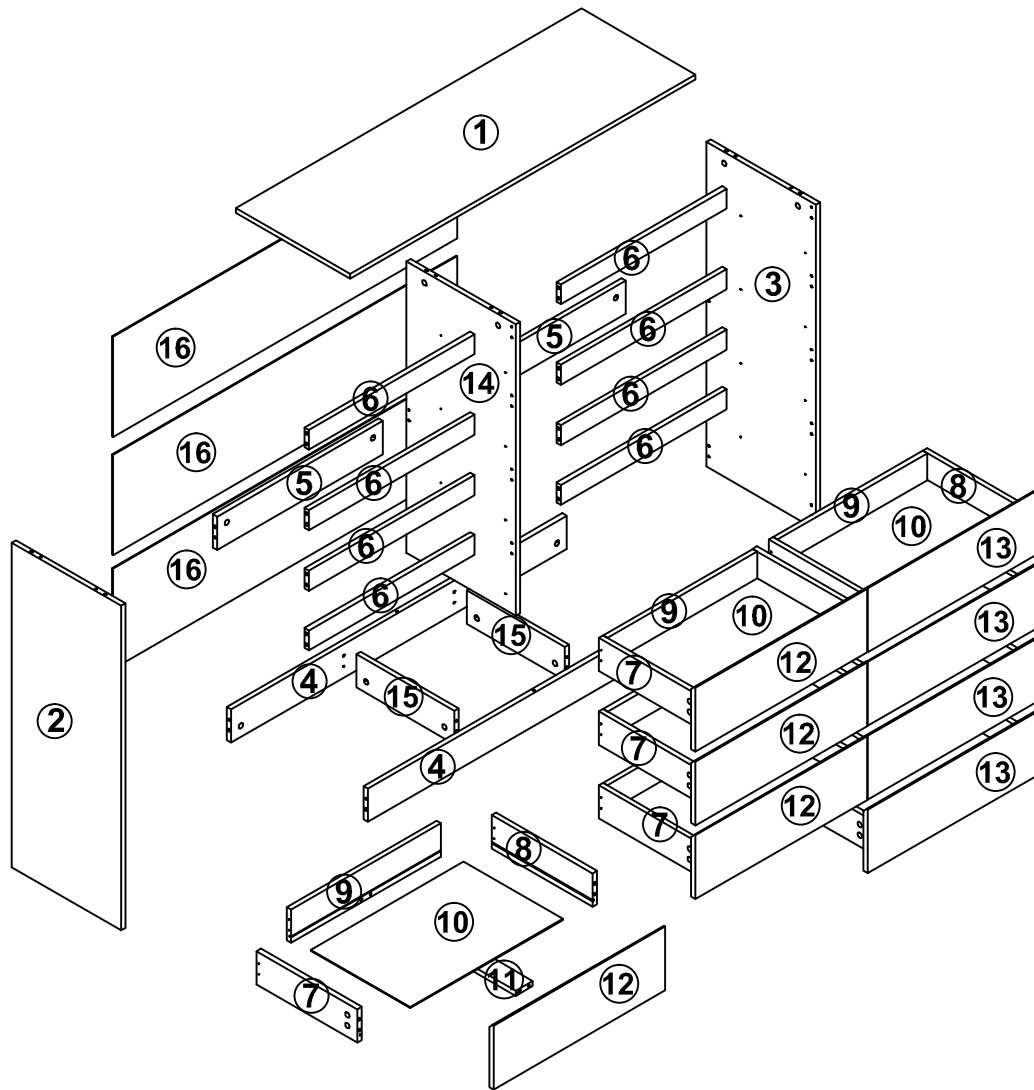
General Hints & Tips

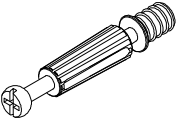
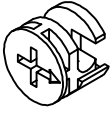
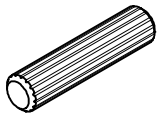
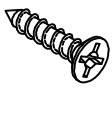
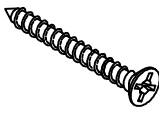
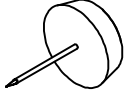
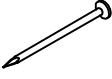

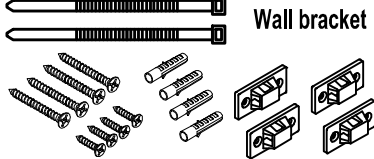


Components and Tools

IMPORTANT - Please Check If You Have All The Components and Tools.

Note: The quantities below are the correct amount to complete the assembly. In some cases more pieces may be supplied than are required.



<p>A=82</p>  <p>Peg M6*34mm</p>	<p>B=82</p>  <p>Lock M15*12mm</p>	<p>C=52</p>  <p>Dowel M6*30mm</p>	<p>D=64</p>  <p>Screw M3.5*14mm</p>	<p>E=32</p>  <p>Screw M4*38</p>	<p>F=8</p>  <p>Plastic Feet</p>
<p>G=20</p>  <p>Pin</p>	<p>CR CL DR DL=8</p>  <p>Drawer Runner</p>	<p>P=1</p>  <p>Wall bracket</p>			

1OF3 ①, ④ X2, ⑥ X8, ⑫ X4, ⑬ X4, ⑮ X2, ⑯ X3,

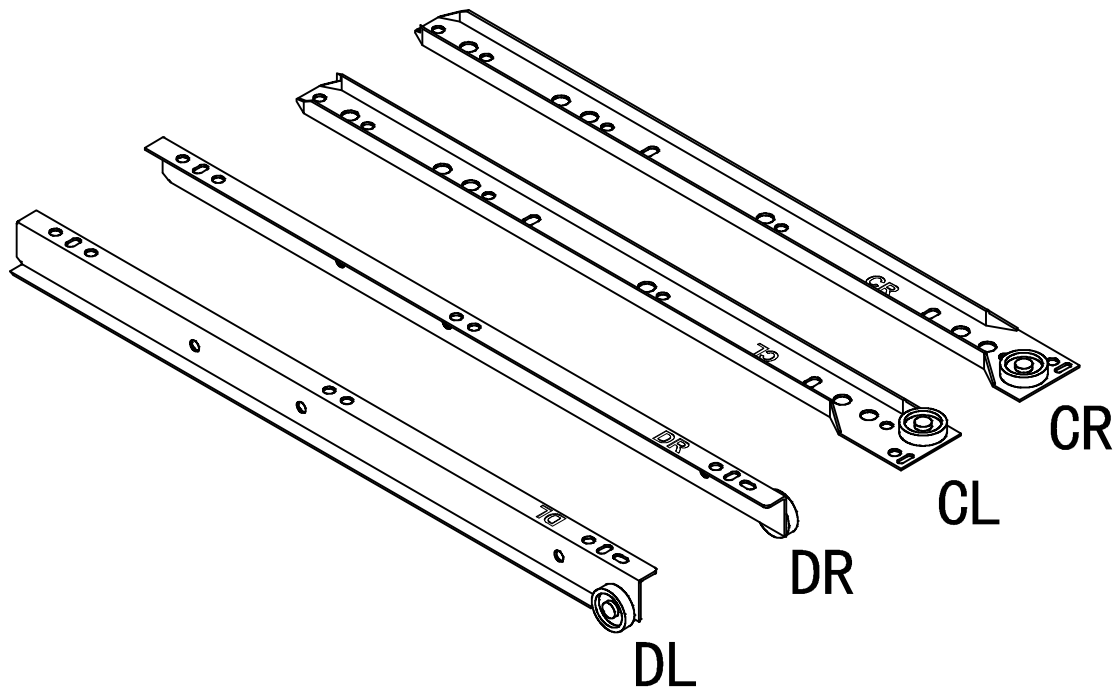
2OF3 ②, ③, ⑨ X8, ⑩ X8, FITTING KIT

3OF3 ⑤ X2, ⑦ X8, ⑧ X8, ⑪ X8, ⑭,

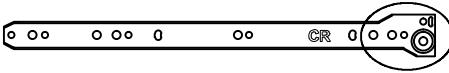
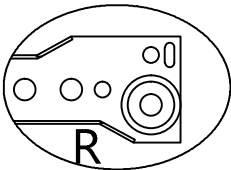
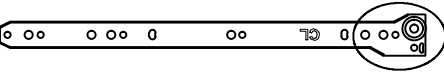
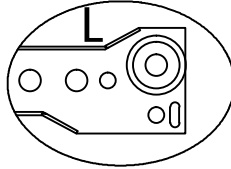

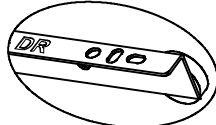
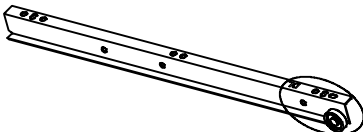
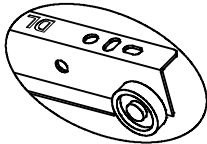
Drawer Runner Instruction

IMPORTANT - Please Read It Carefully.

NOTE:1 PAIR DRAWER RUNNER INCLUDES 4 PIECES.



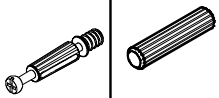
Fittings (not to scale)

NO.	DESCRIPTION	QTY		
CR	Outer Drawer Runner - Right	8PCS		
CL	Outer Drawer Runner - Left	8PCS		
DR	Inner Drawer Runner - Right	8PCS		
DL	Inner Drawer Runner - Left	8PCS		

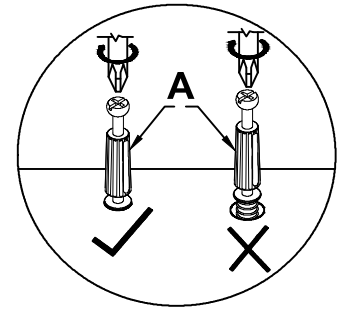
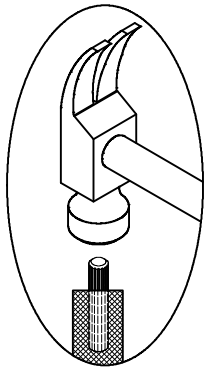
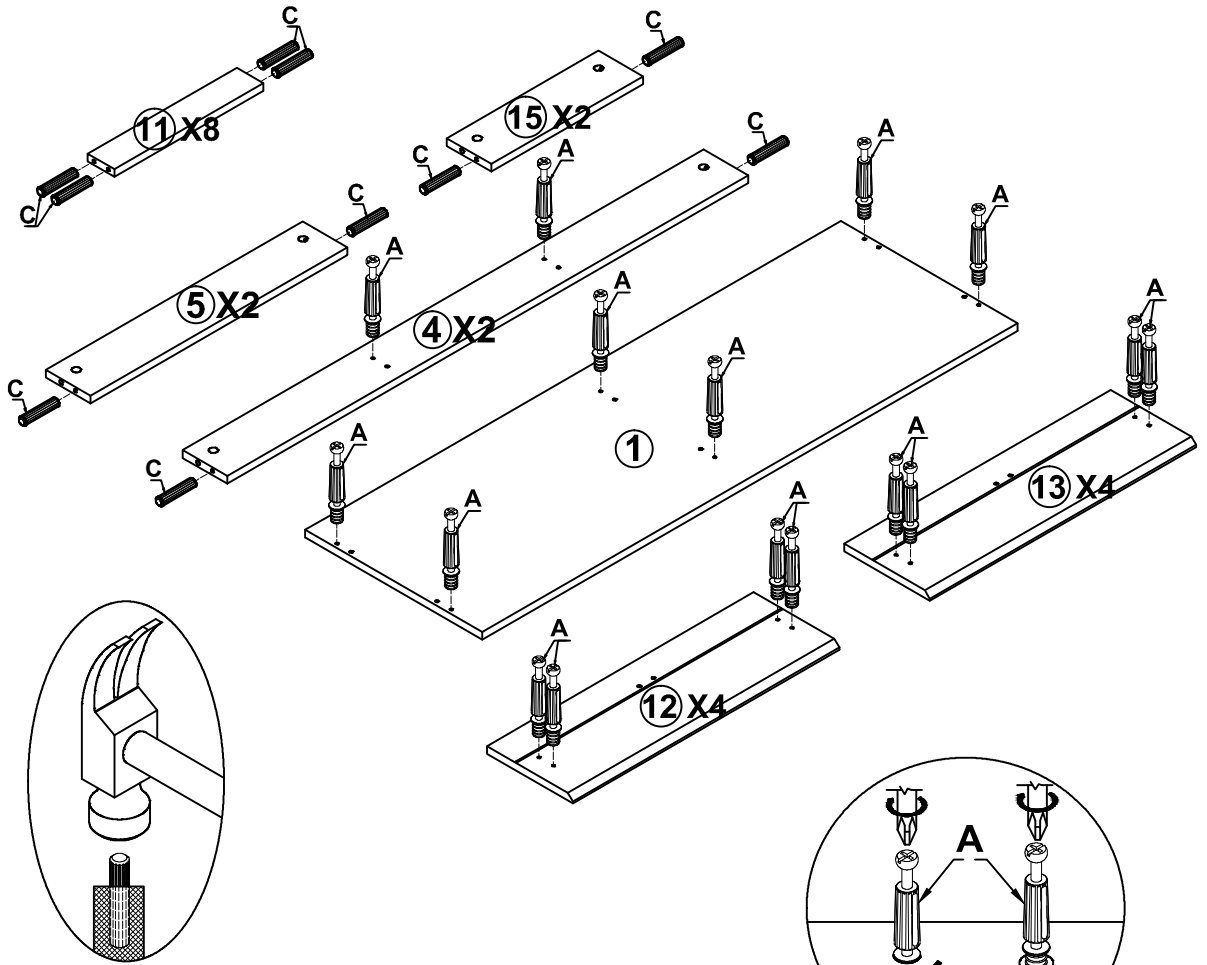
Assembly Instruction

Step 1

A=42 C=44

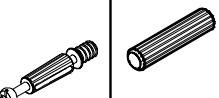


Peg Dowel



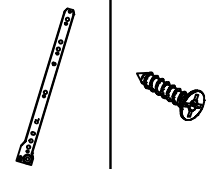
Step 2

A=11 C=2

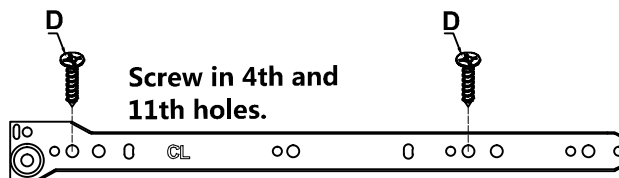
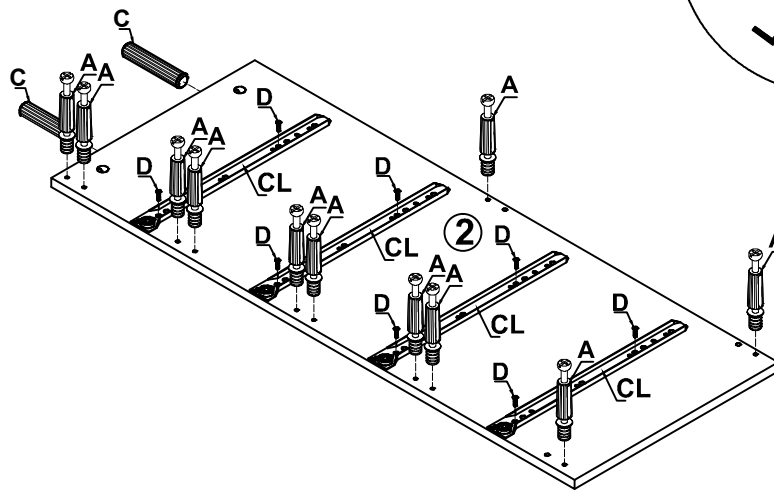


Peg Dowel

CL=4 D=8


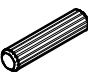
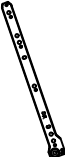



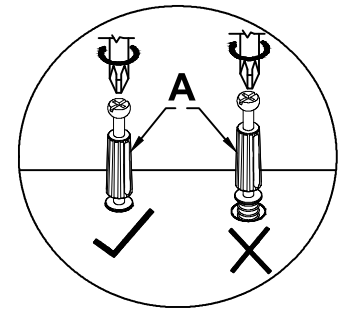
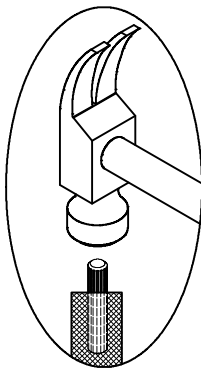
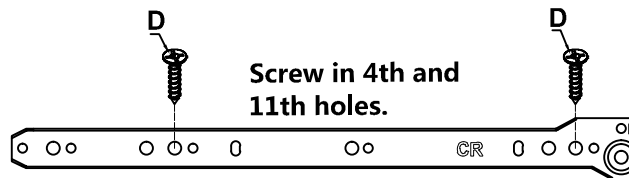
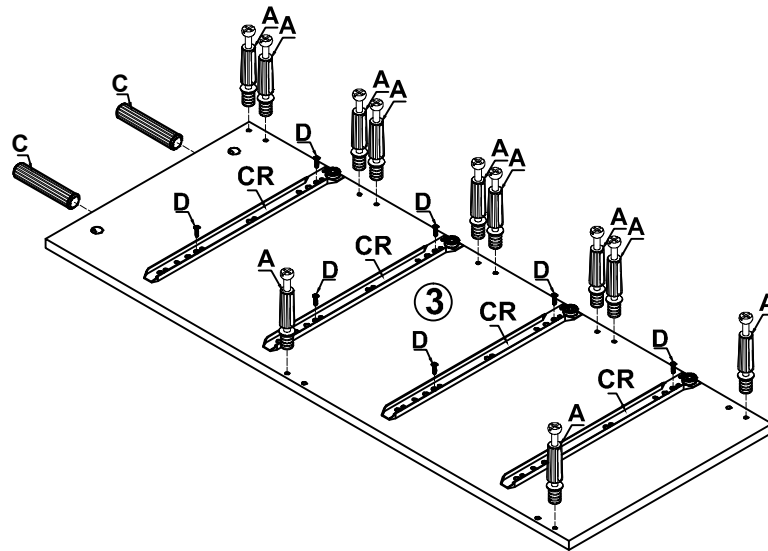
Drawer Runner Screw M3.5*14mm



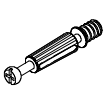

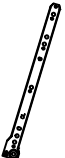
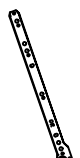

Assembly Instruction

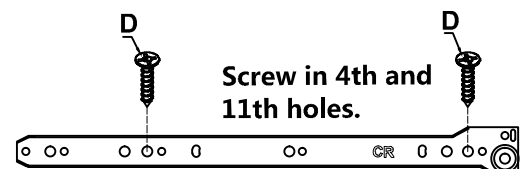
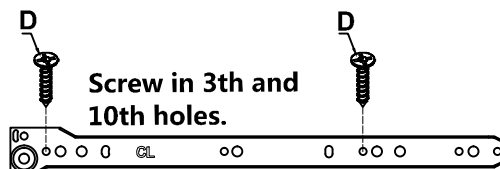
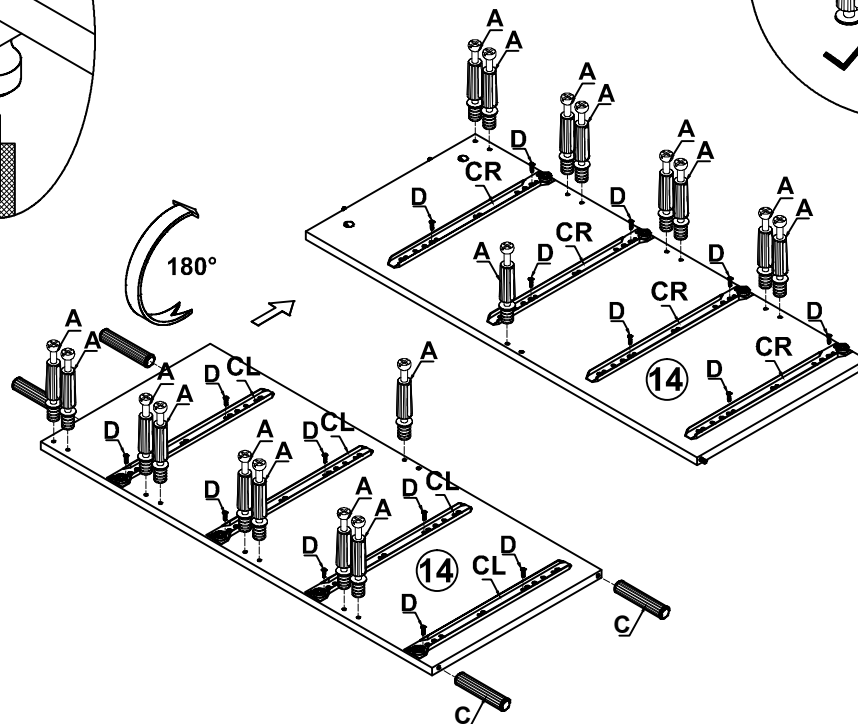
Step 3

A=11	C=2
	
Peg	Dowel
CR=4	D=8
	
Drawer Runner	Screw M3.5*14mm



Step 4

A=18	C=4
	
Peg	Dowel
CL=4	CR=4
	
Drawer Runner	Drawer Runner
D=16	
	
Screw M3.5*14mm	



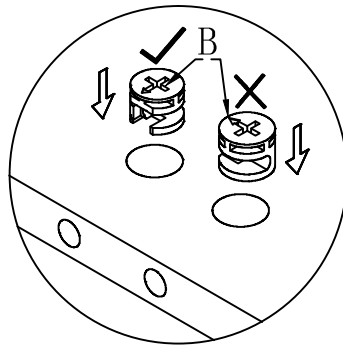
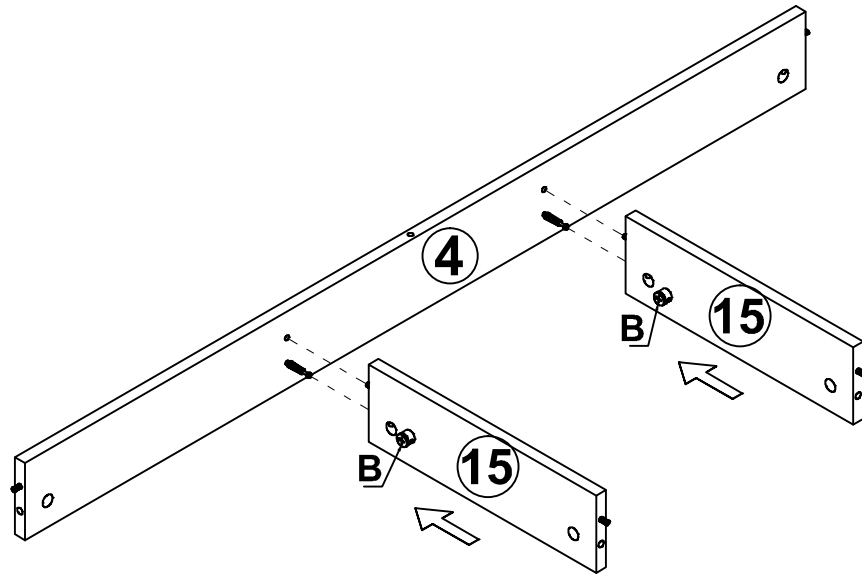
Assembly Instruction

Step 5

B=2



Lock

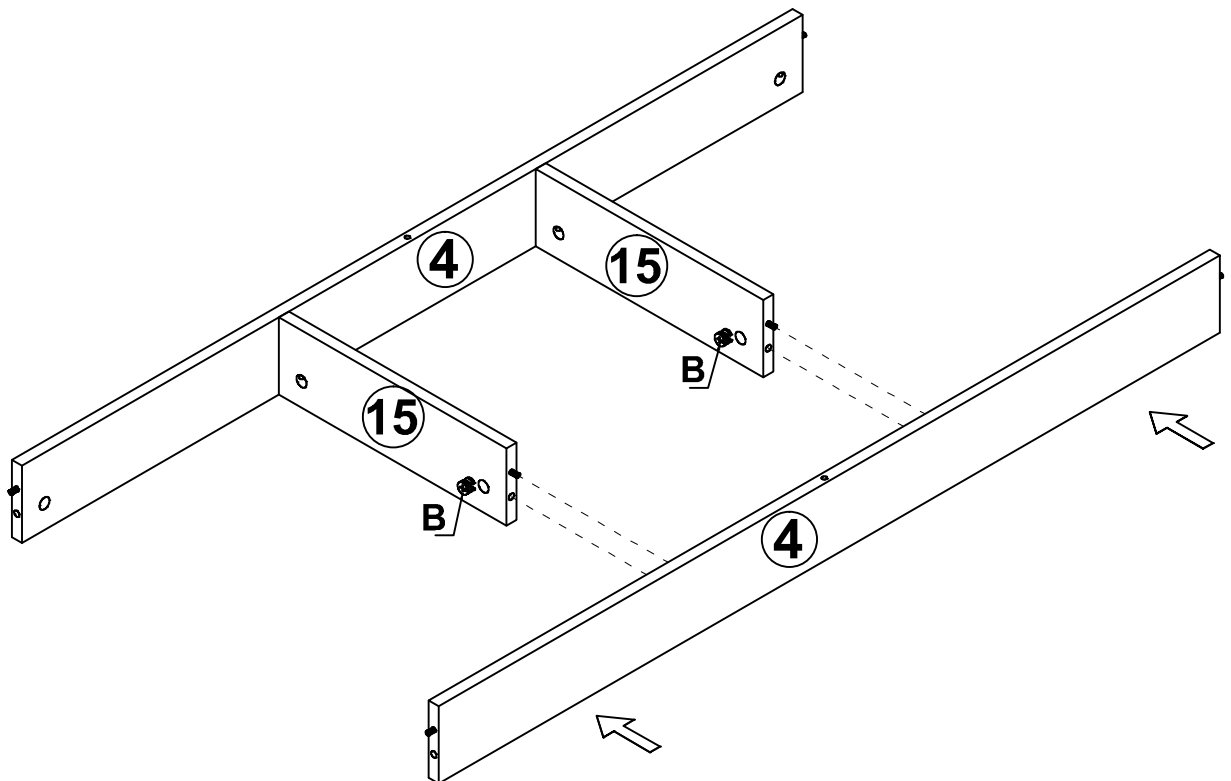


Step 6

B=2



Lock



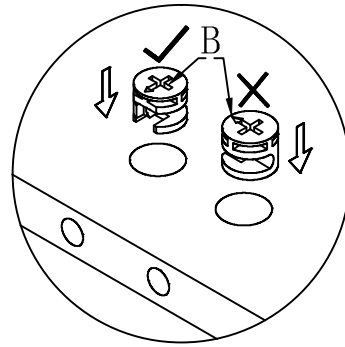
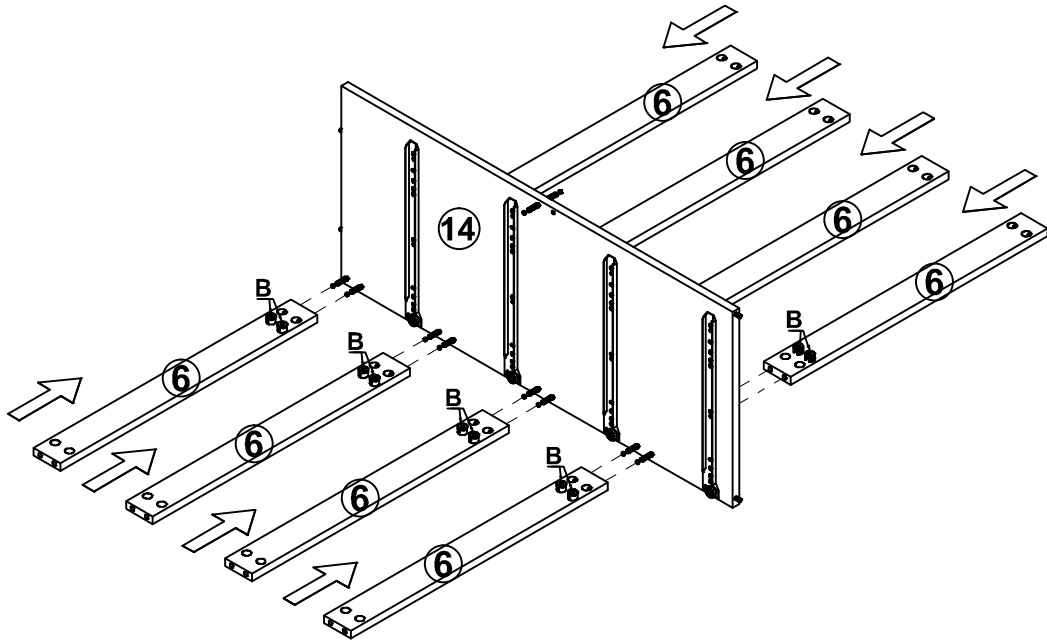
Assembly Instruction

Step 7

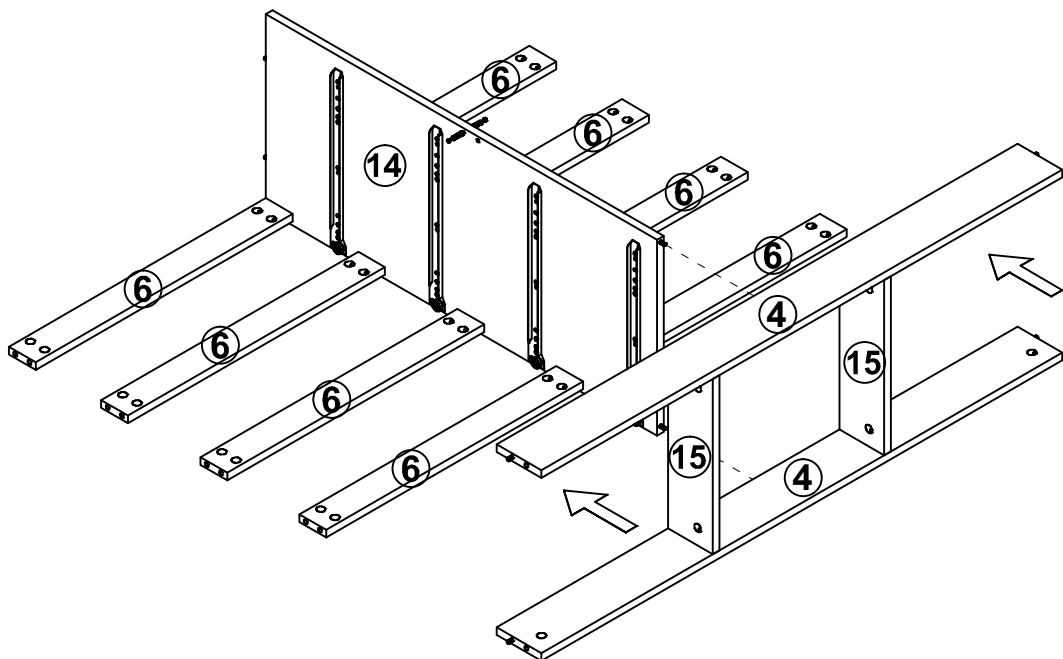
B=16



Lock



Step 8



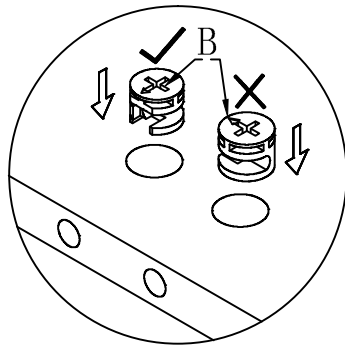
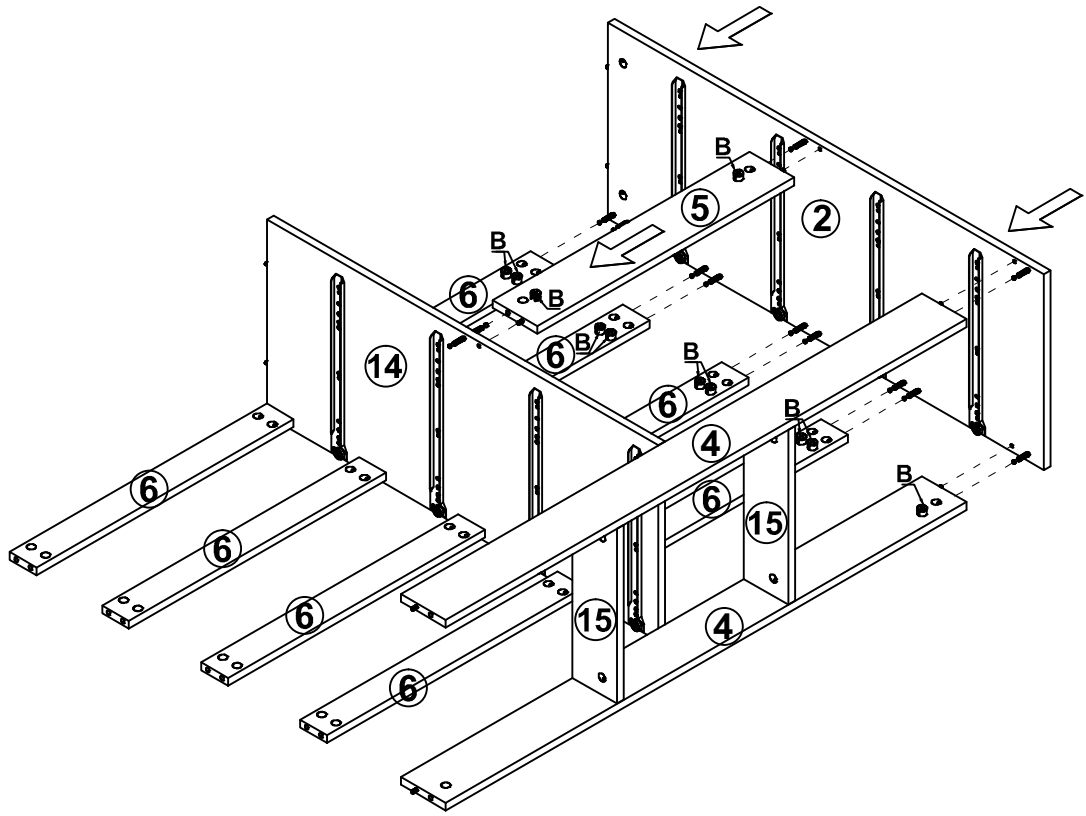
Assembly Instruction

Step 9

B=12



Lock

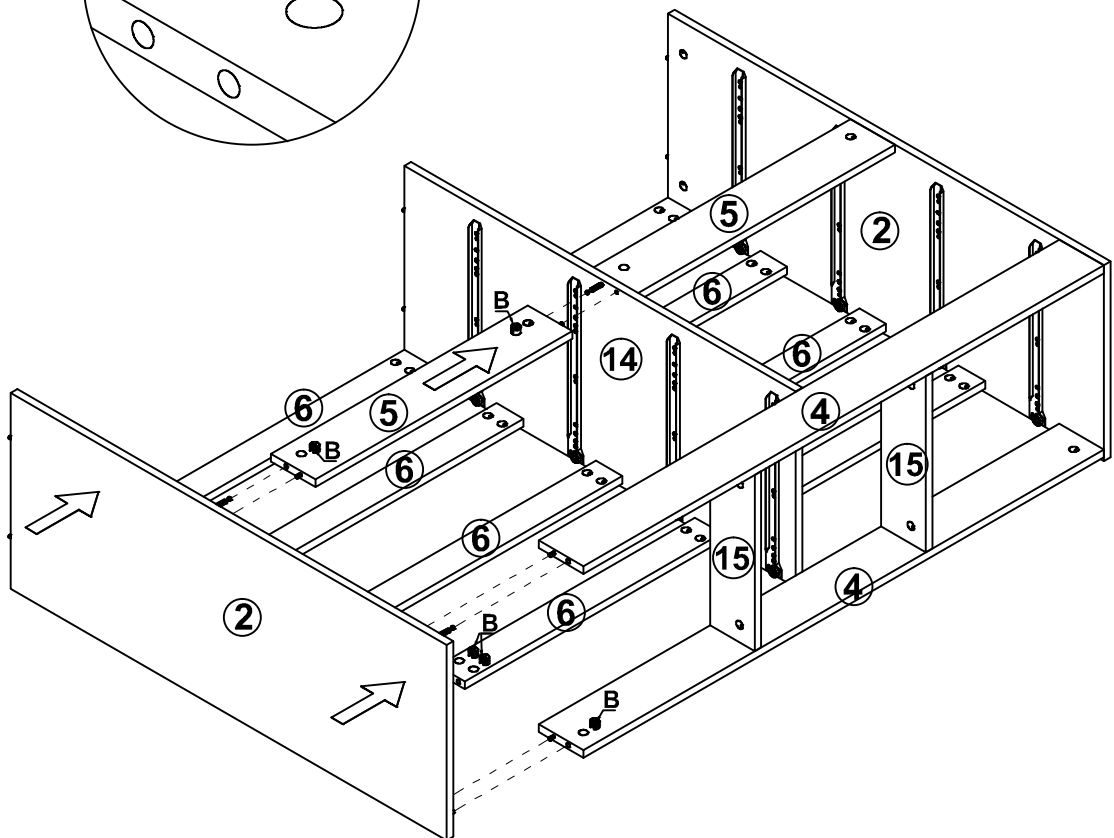


Step 10

B=12



Lock



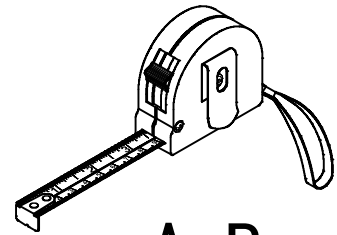
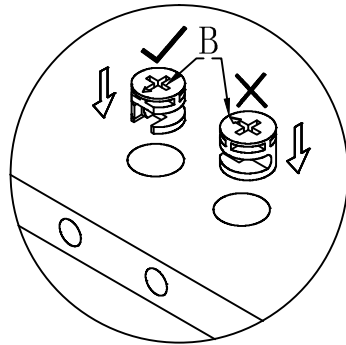
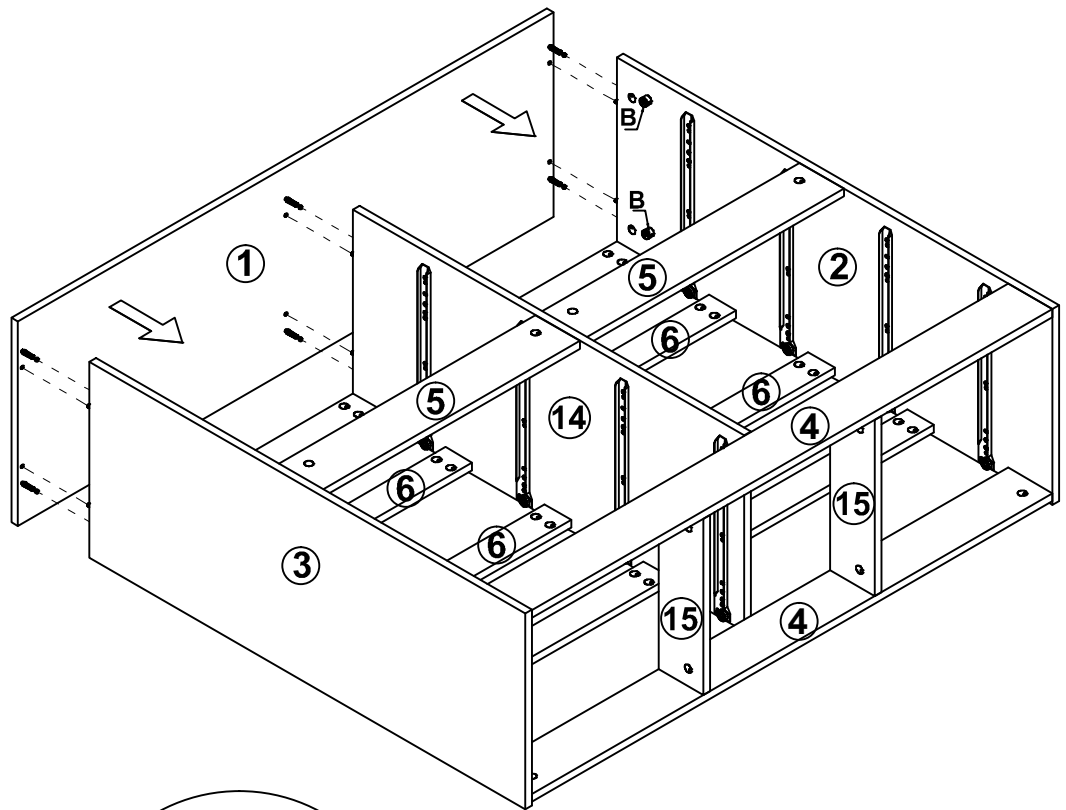
Assembly Instruction

Step 11

B=6

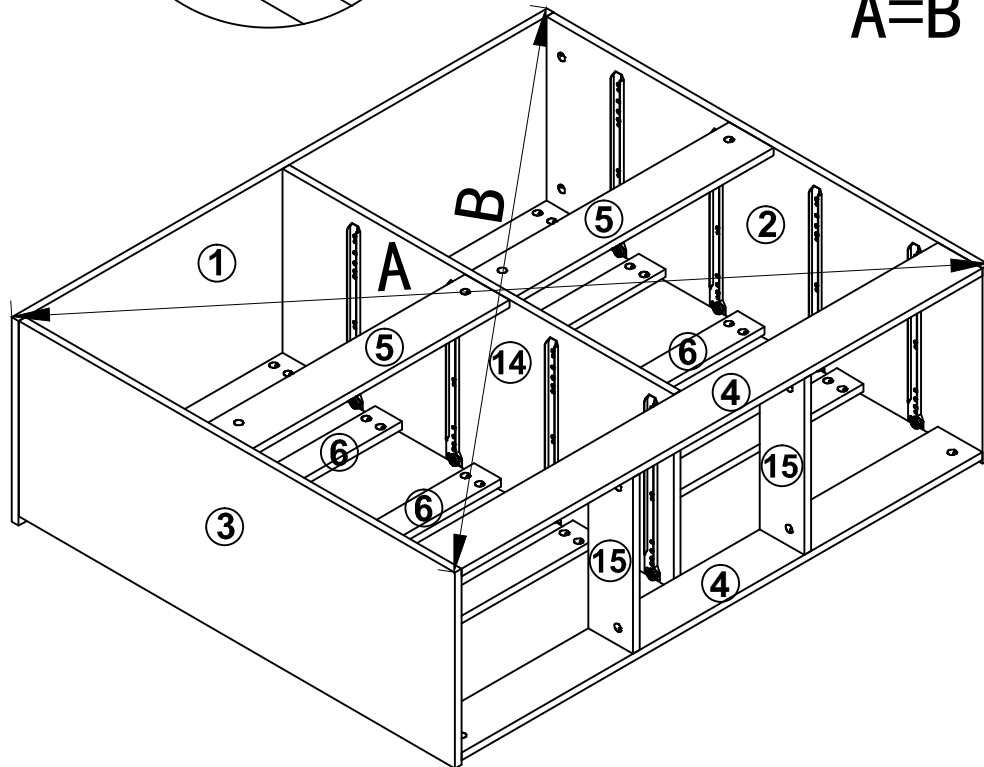


Lock



A=B

Step 12



Assembly Instruction

Step 13

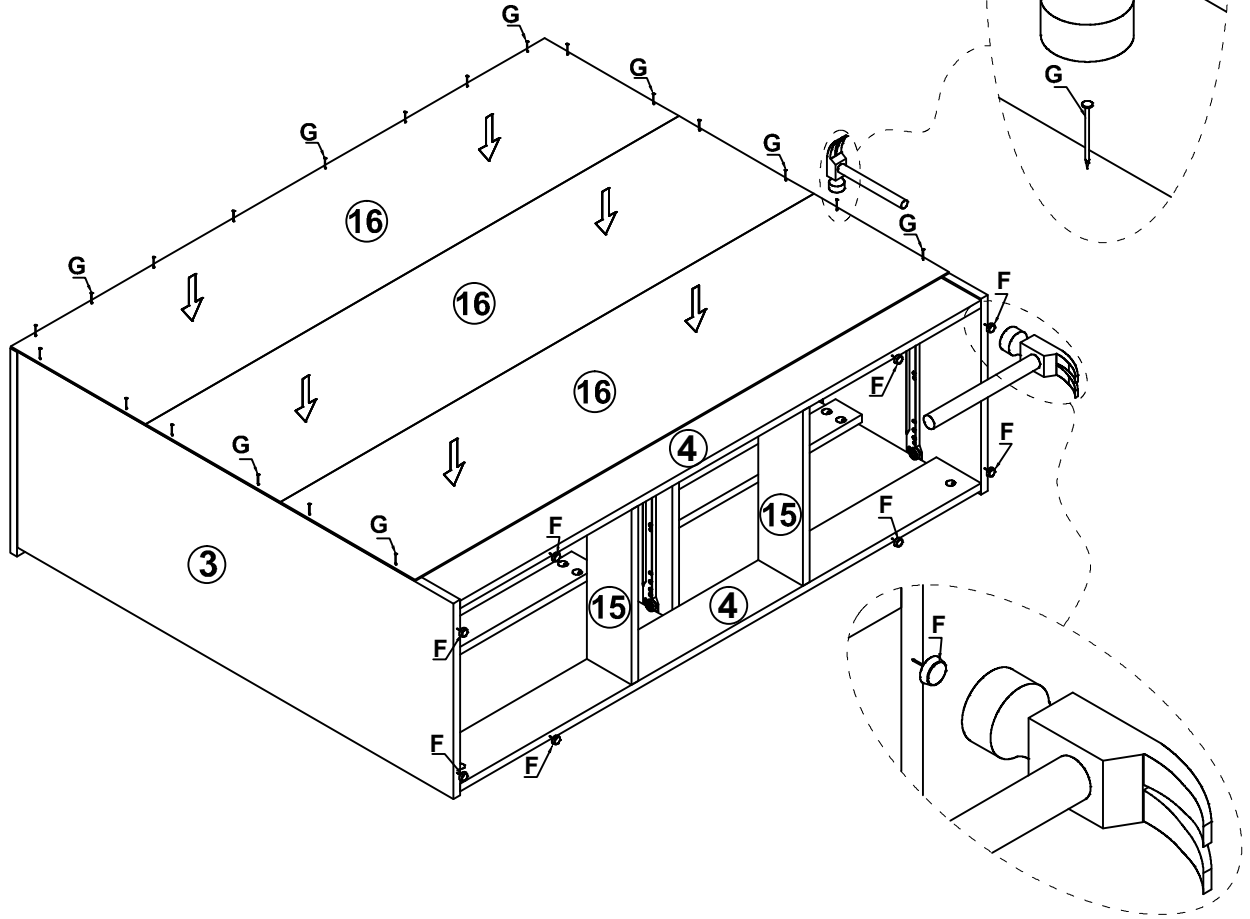
F=8

G=20



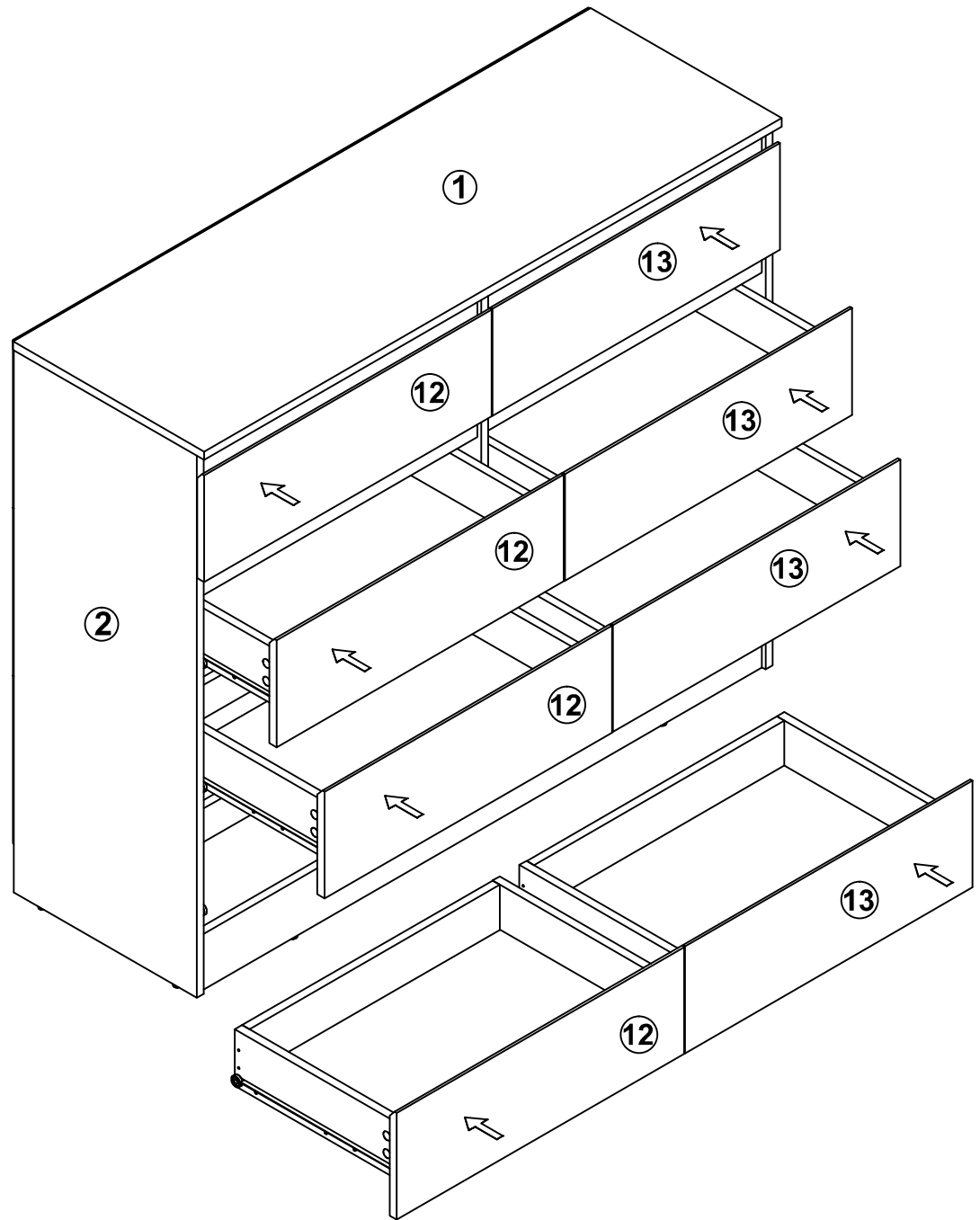
Plastic
Feet

Pin



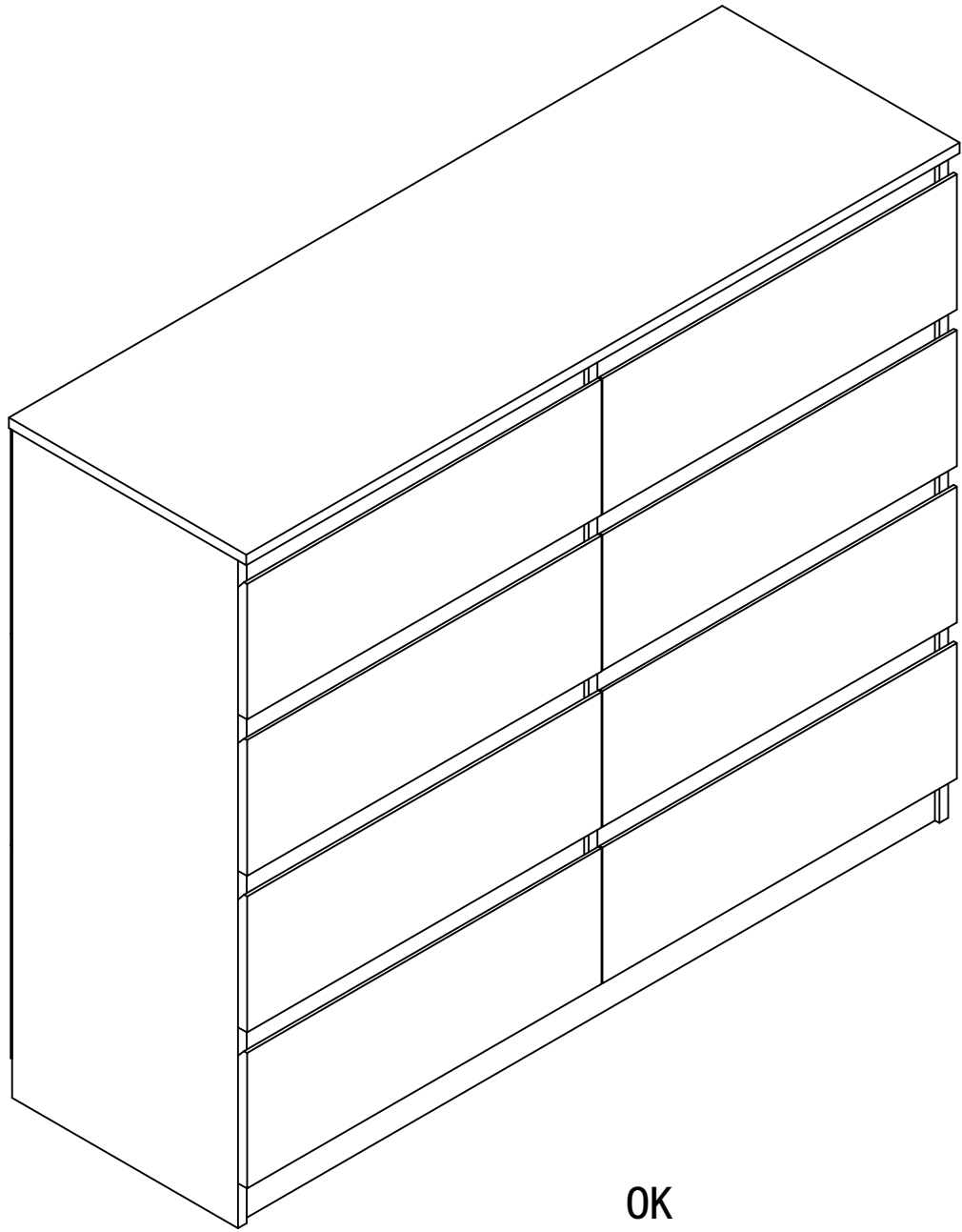
Assembly Instruction

Step 16



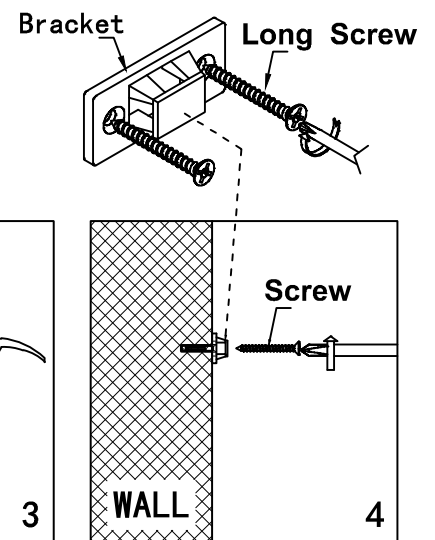
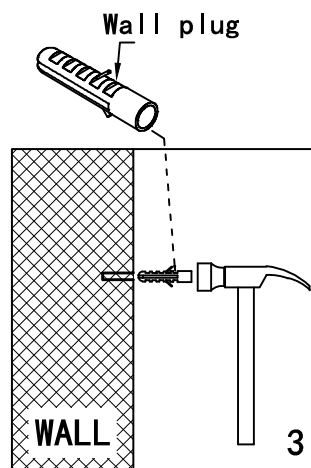
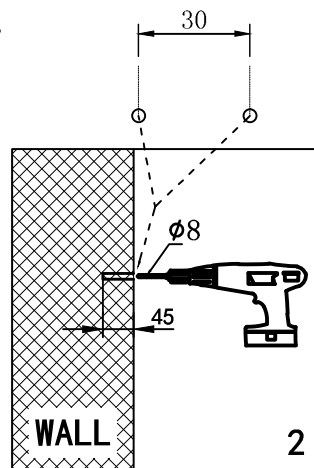
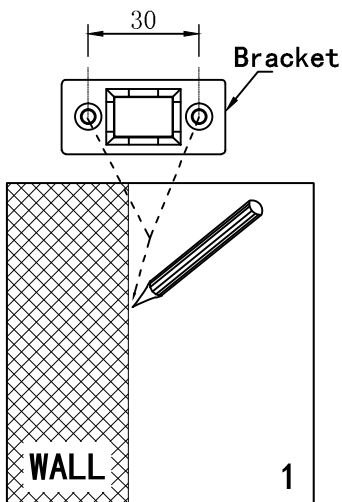
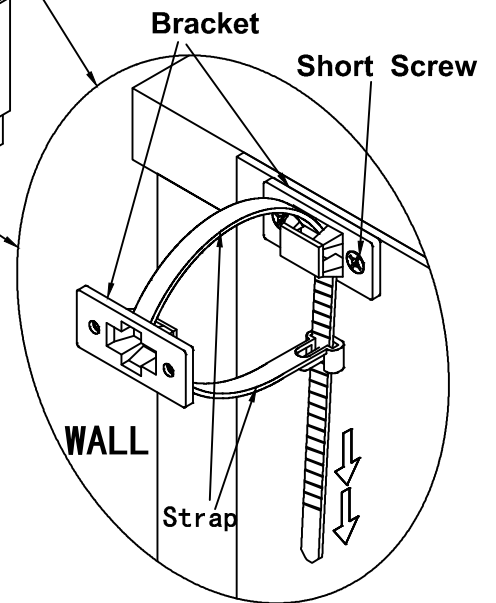
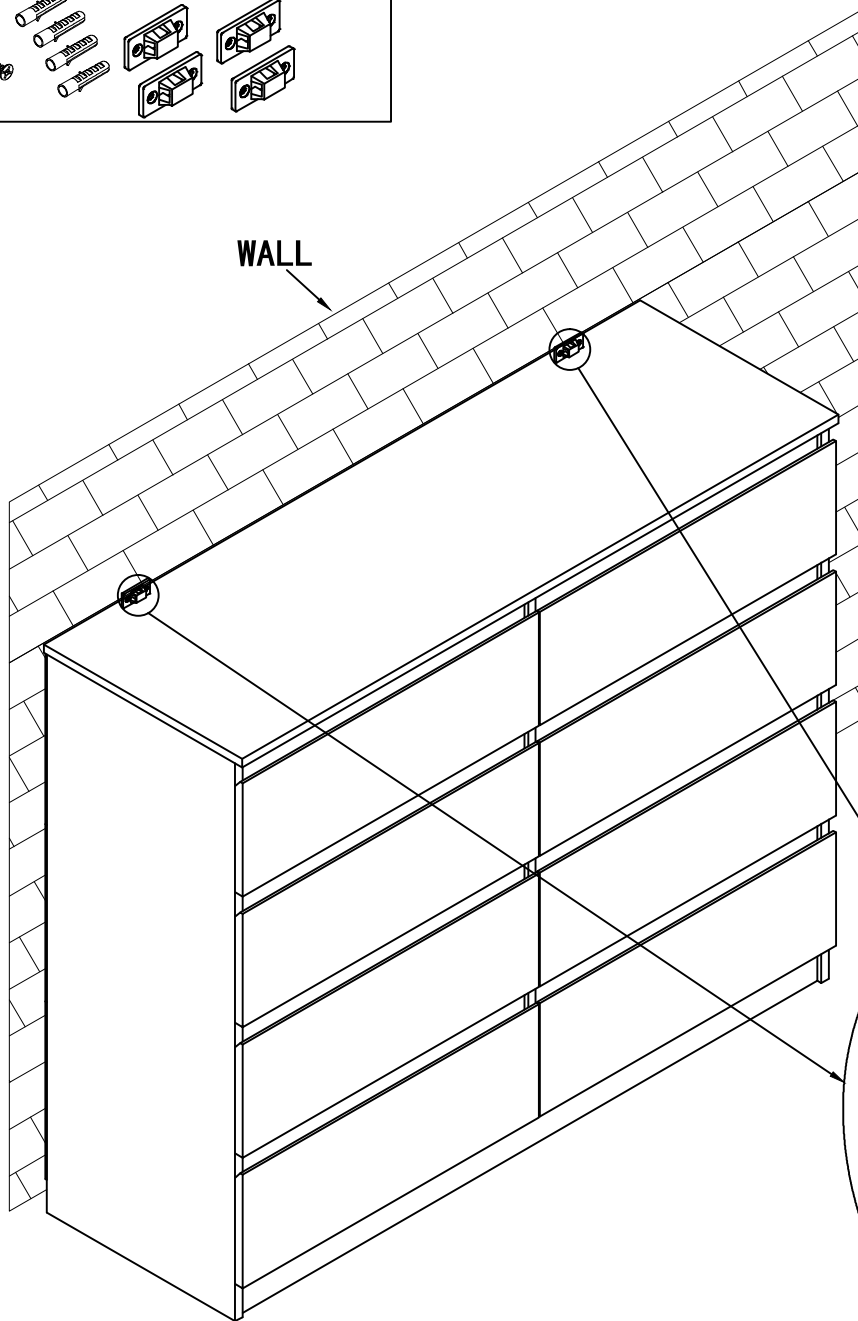
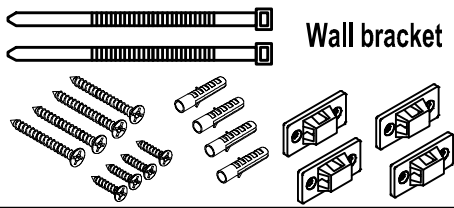
Assembly Instruction

Step 17



OK

P=1



spacegeneral.co.nz

Great job. You're done!

**Don 't forget to share how it looks in
your space and tag us on Instagram
@spacegeneralnz**