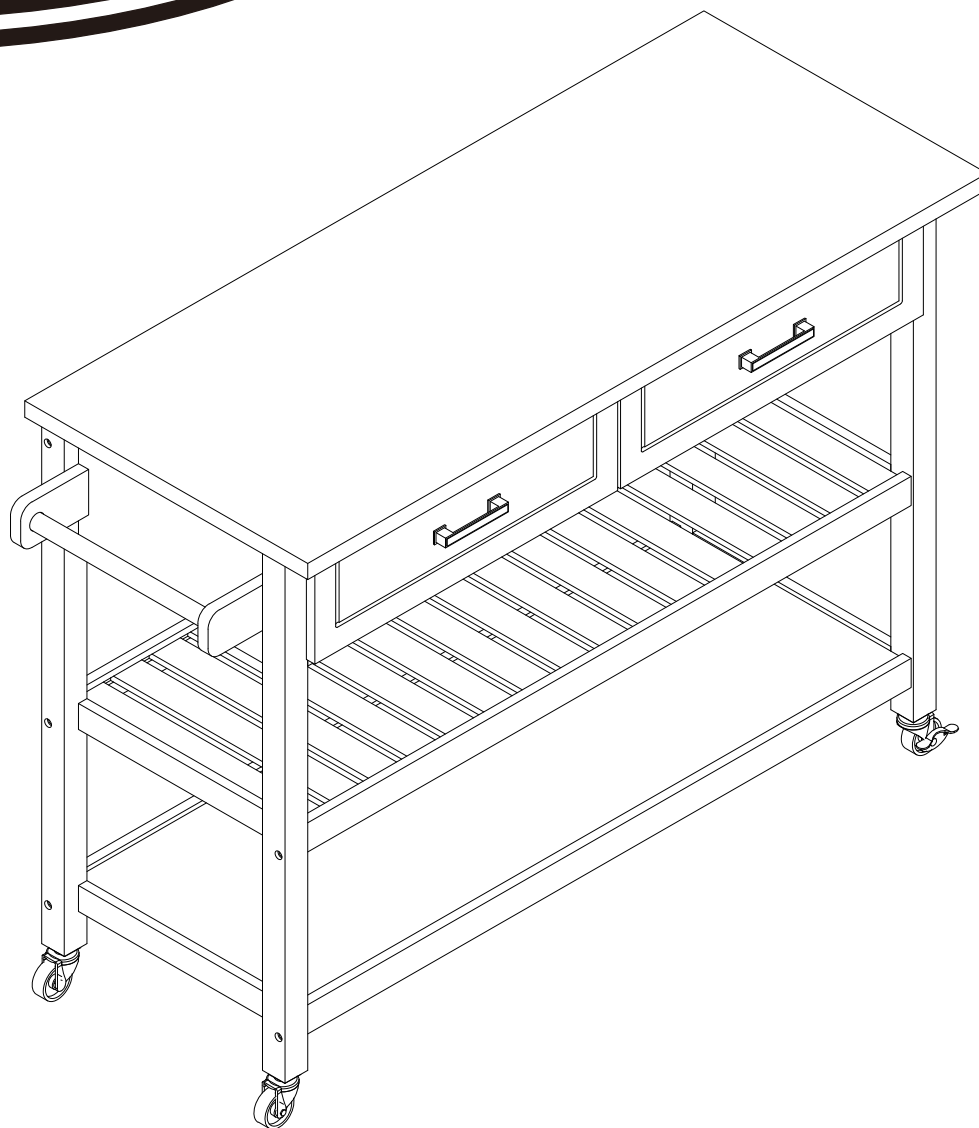


Open Concept



Kitchen Island – White

ASSEMBLY INSTRUCTION

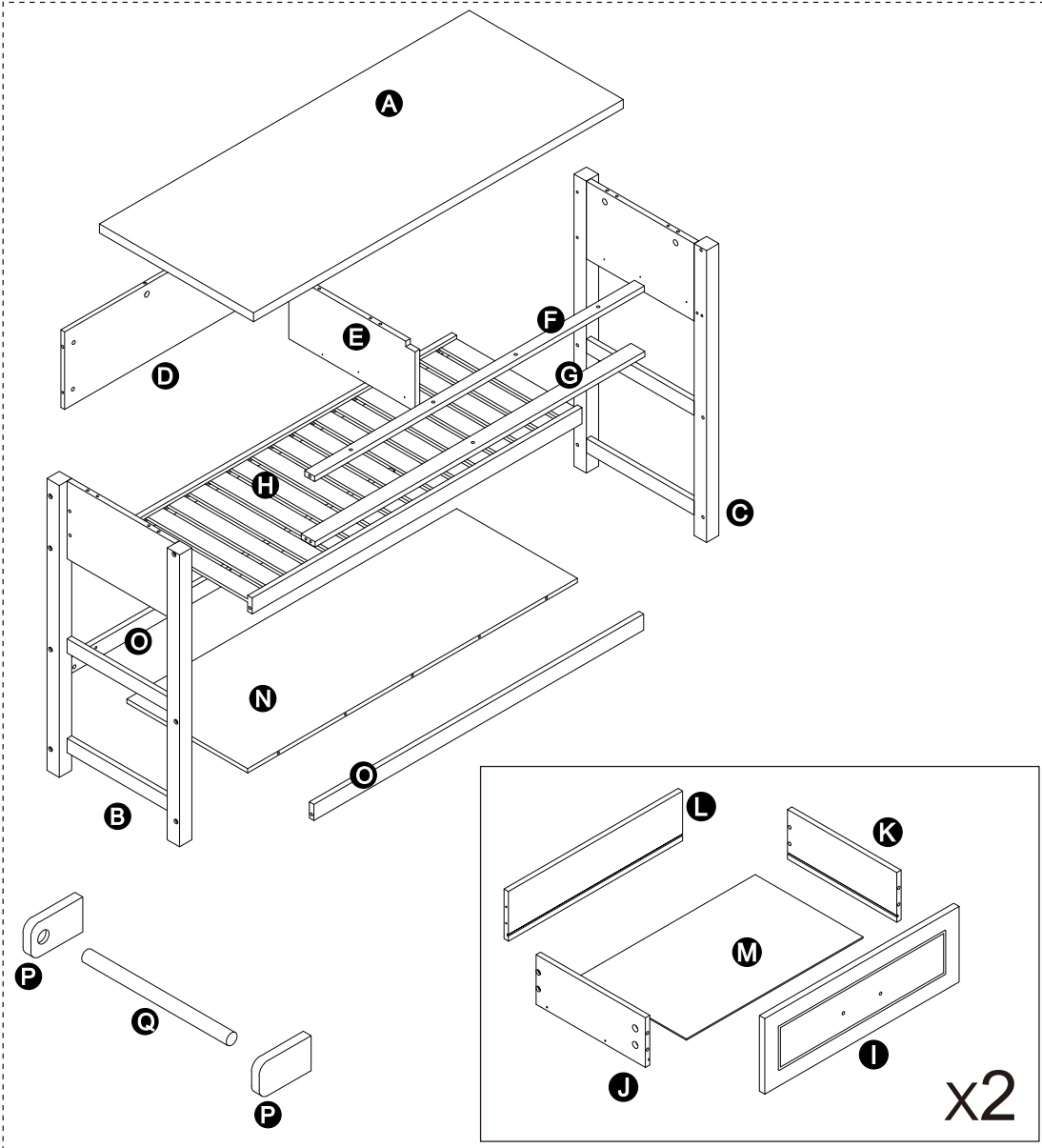
EN

Thank you for purchase on our products. Please contact us if you have difficulty with assembly or need replacement parts. Our customer service is here to assist you.

WARNING

Serious or fatal injury may occur from unexpected assembly or use.

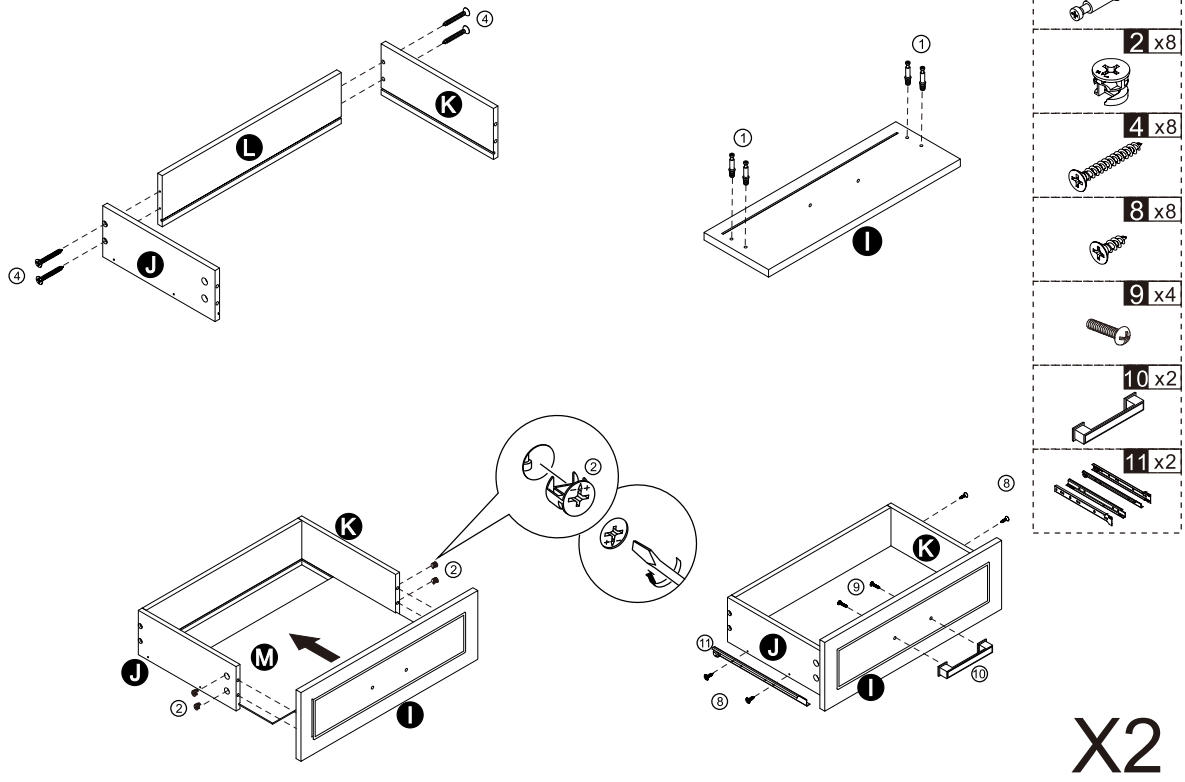
1. During the assembly process, keep all parts away from babies or children.
2. Always securely fix this product to the wall. Make sure the wall area to be drilled is free from hidden electrical wires, water and gas pipes.
3. Use of tip-over restraints may only reduce, but not eliminate the risk of tip-over.
4. Unless specially designed to accommodate, do not set heavy objects on top of this product.
5. Place the heaviest items on the lowest shelf.
6. Never allow children to climb or bang on drawers, doors or shelves.



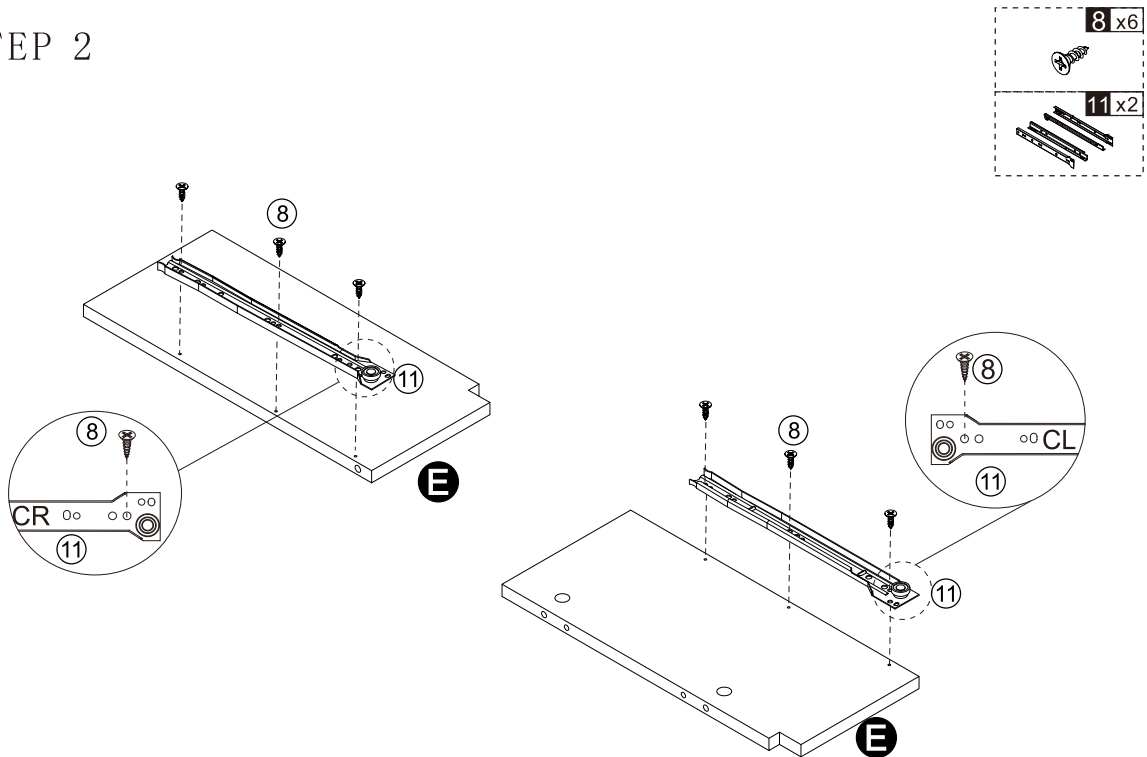
1 x22	2 x22	3 x14	4 x11	5 x4	6 x14	7 x14
8 x20	9 x4	10 x2	11 x2	12 x2	13 x2	14 x4
15 x1						

Assembly Steps (EN)

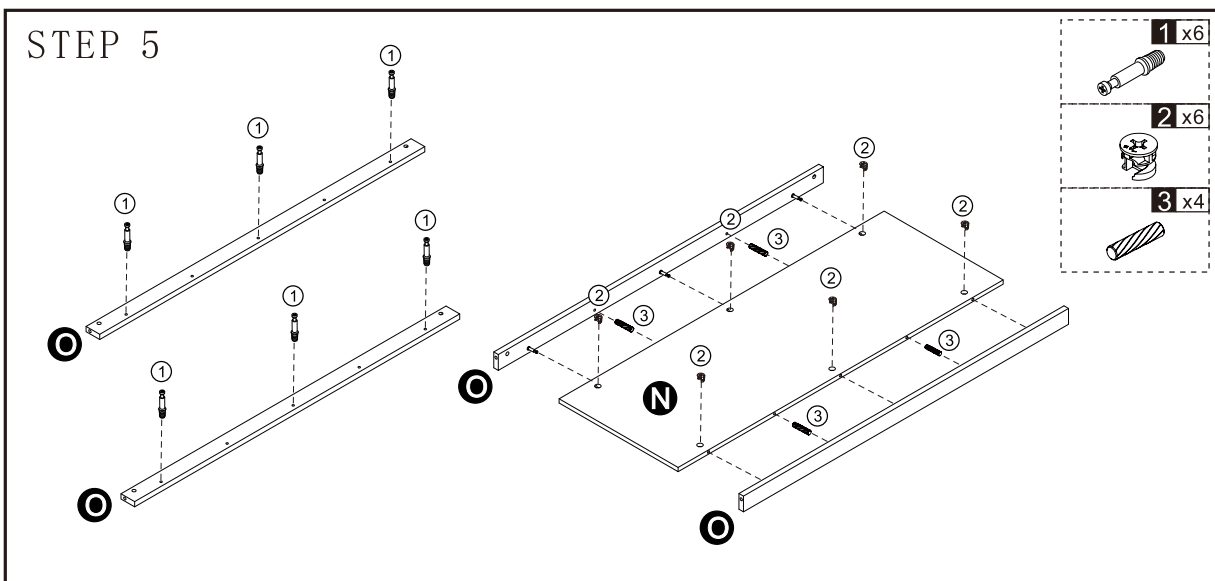
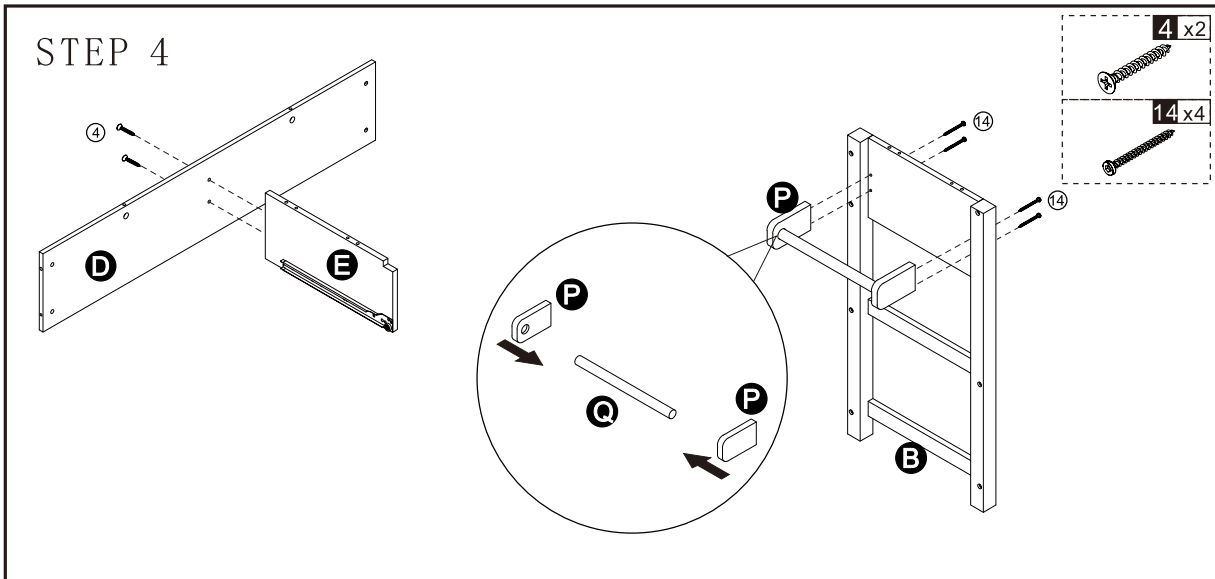
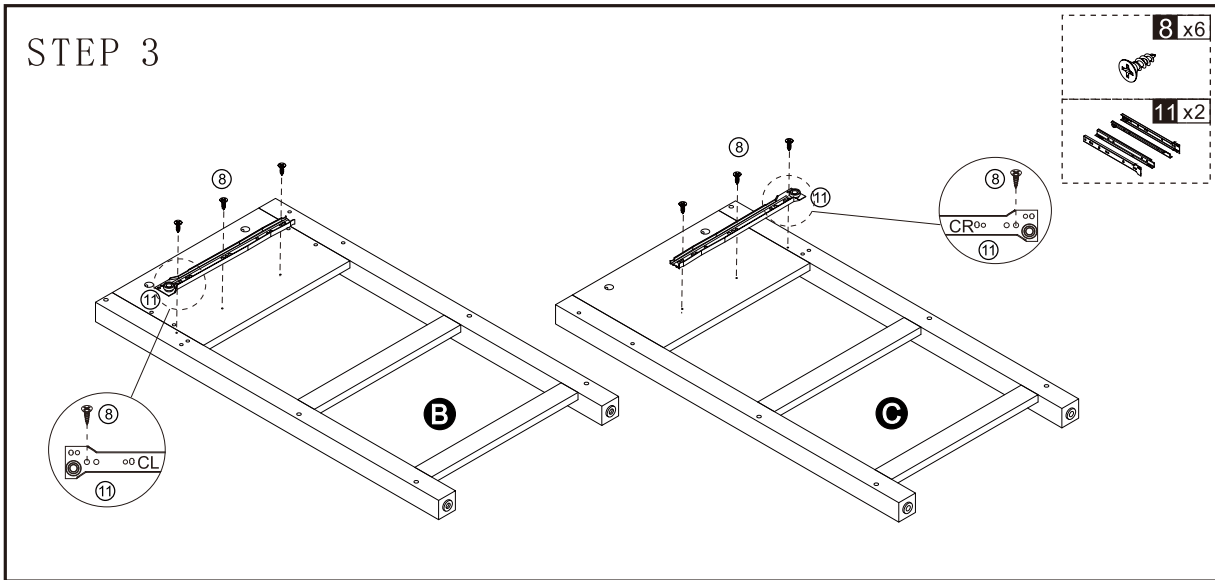
STEP 1



STEP 2

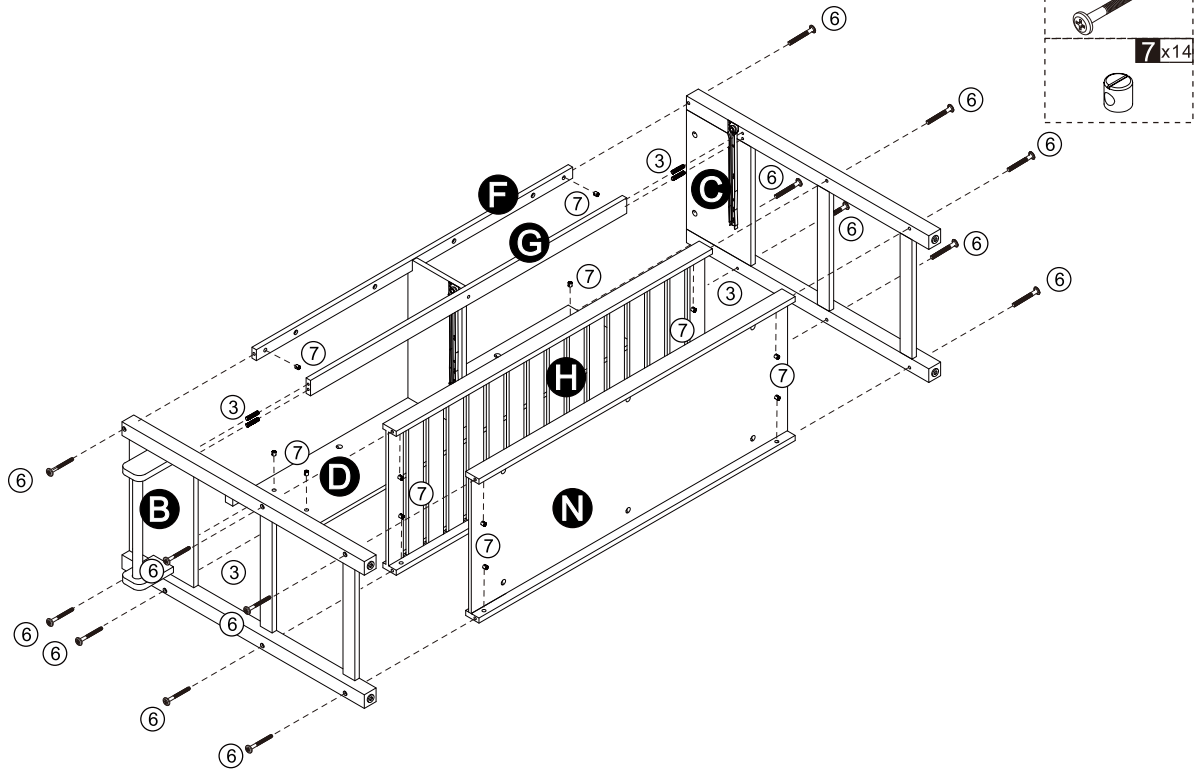


Assembly Steps (EN)

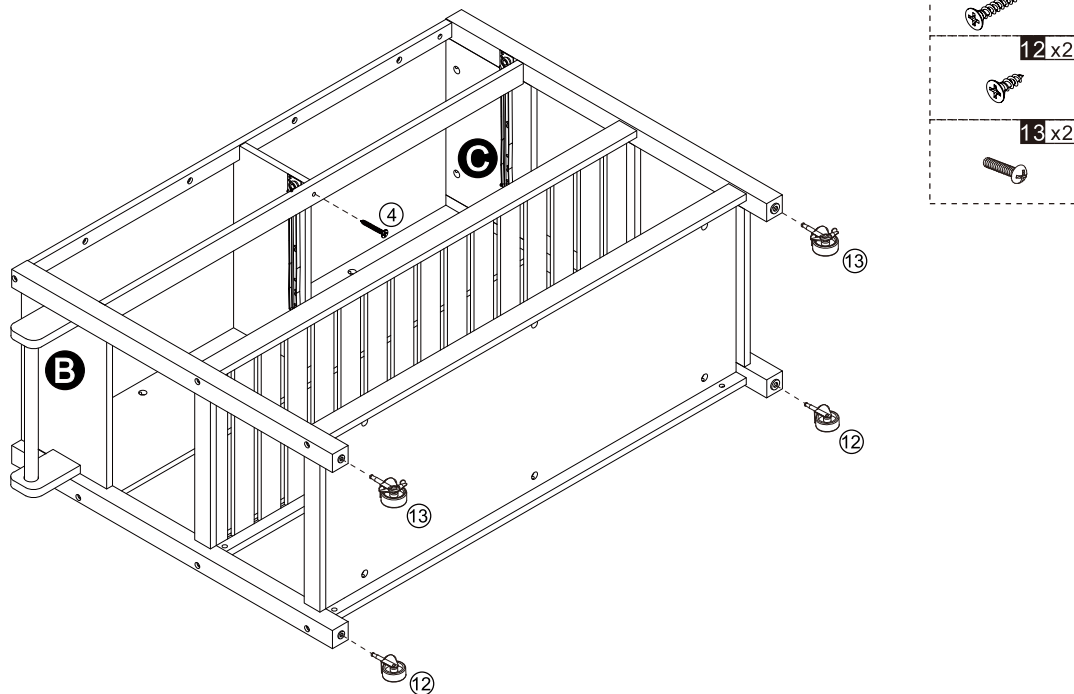


Assembly Steps (EN)

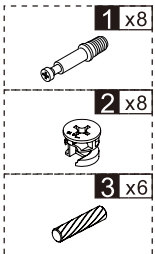
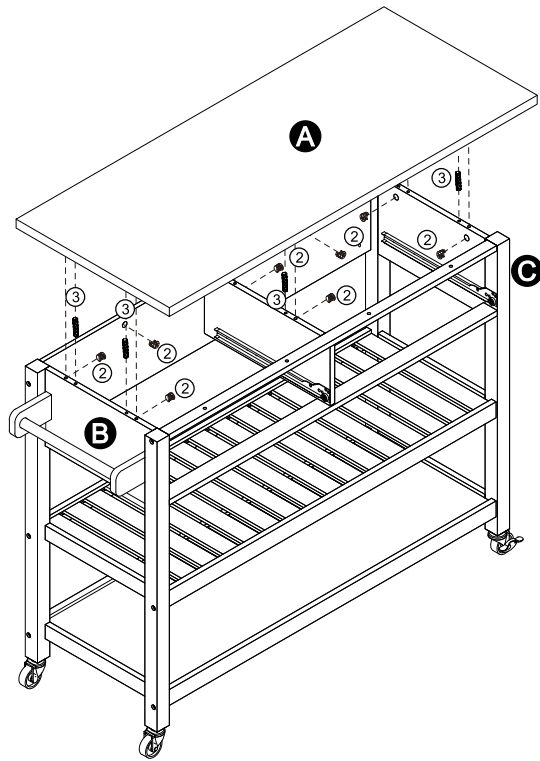
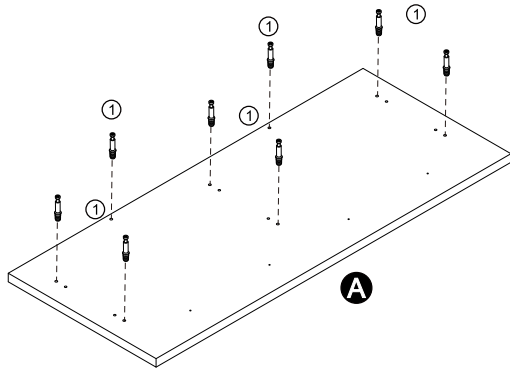
STEP 6



STEP 7



STEP 8



STEP 9

