

# Open Concept

*Thank you for purchasing  
this outdoor chair.*

## Instruction Manual



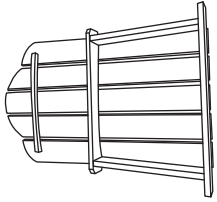
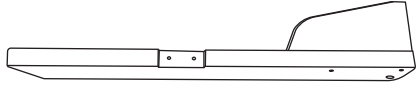
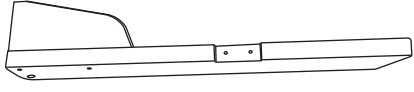
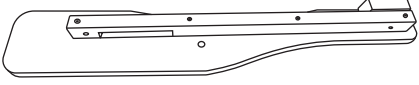
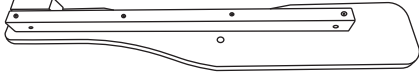
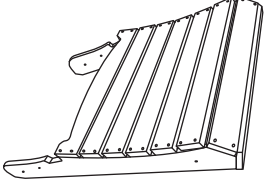
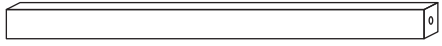
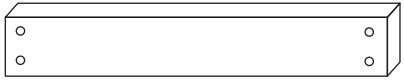
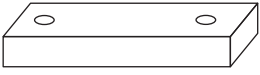
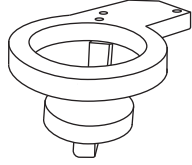
Organise It Where It Suits









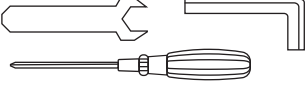
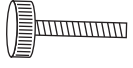


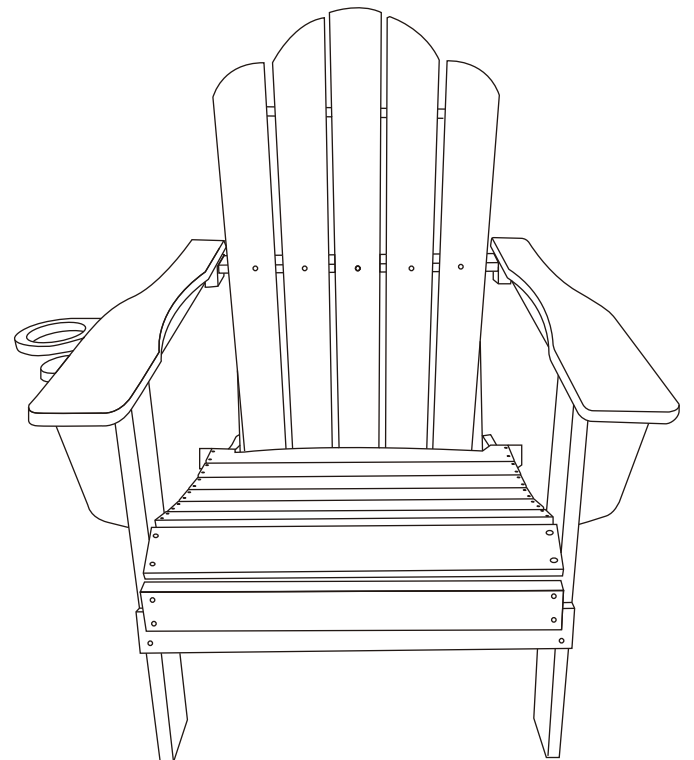
Please follow the manufacturer's  
assembly instructions in detail.

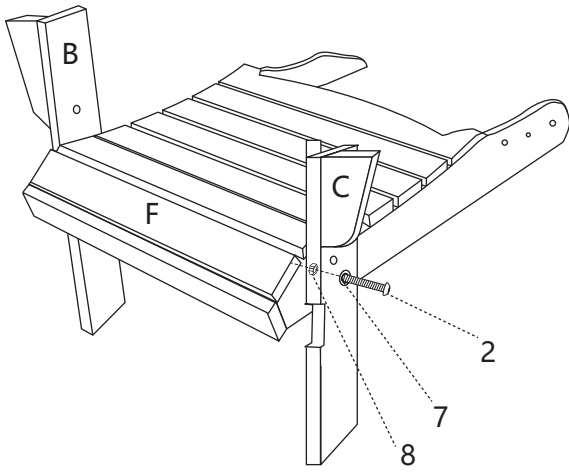


Covering your outdoor setting when not in use is  
strongly recommended. This will protect it from the  
elements and increase its lifespan.

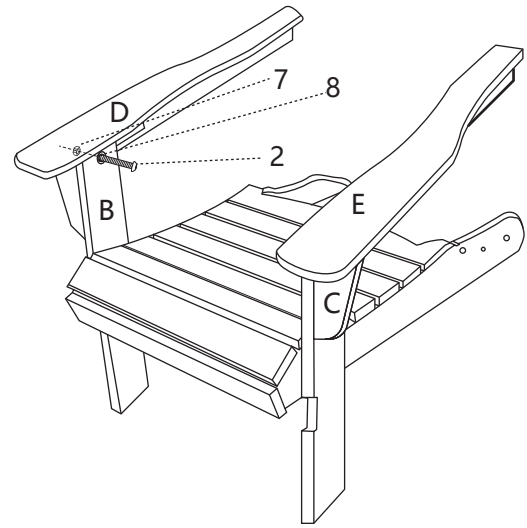
A		1pc	B		1pc
C		1pc	D		1pc
E		1pc	F		1pc
G		1pc	H		1pc
I		2pc	J		1pc

1	 M6-70mm	2PCS
2	 M6-60mm	4PCS
3	 M6-50mm	2PCS
4	 M6-40mm	4PCS
5		4PCS
6		2PCS
7		6PCS
8		6PCS
9		1PC
10	 M6-30mm	1PC

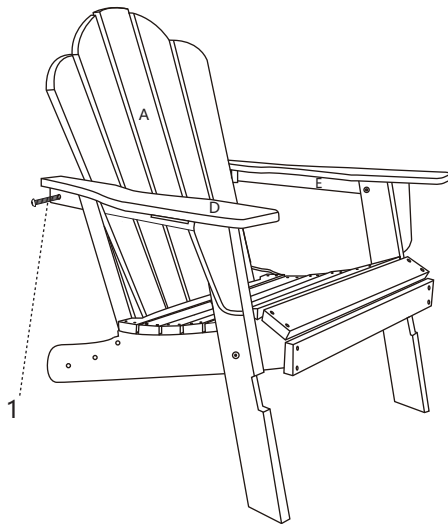




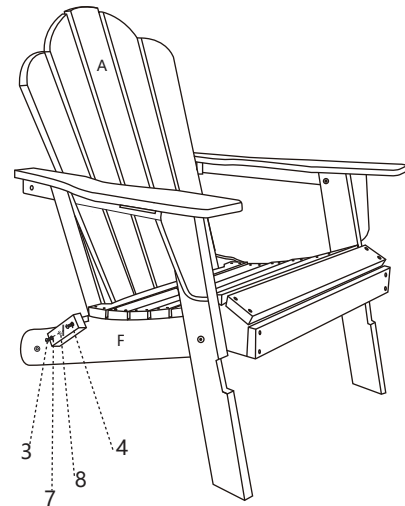
1. Attach part(B) to part (F) by using screw (2) and nut(8) and gasket(7) as shown in the diagram. Attach part(C) to part (F) by using screw (2) and nut(8) and gasket(7) as shown in the diagram.



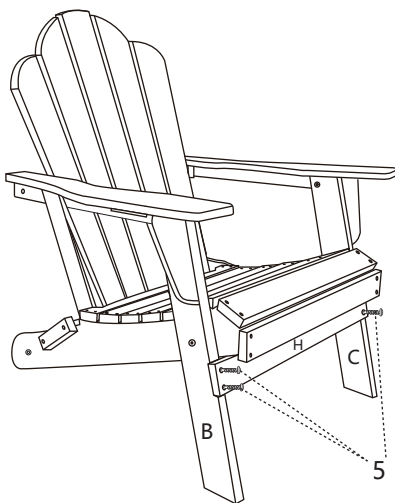
2. Attach part(D) to part (B) by using screw (2) and nut(8) and gasket(7) as shown in the diagram. Attach part(E) to part (C) by using screw (2) and nut(8) and gasket(7) as shown in the diagram.



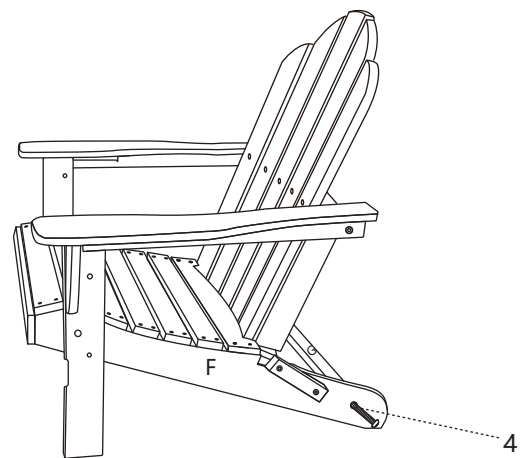
3. Attach part(D) to part (A) by using screw (1) as shown in the diagram. Attach part(E) to part (A) by using screw (1) as shown in the diagram.



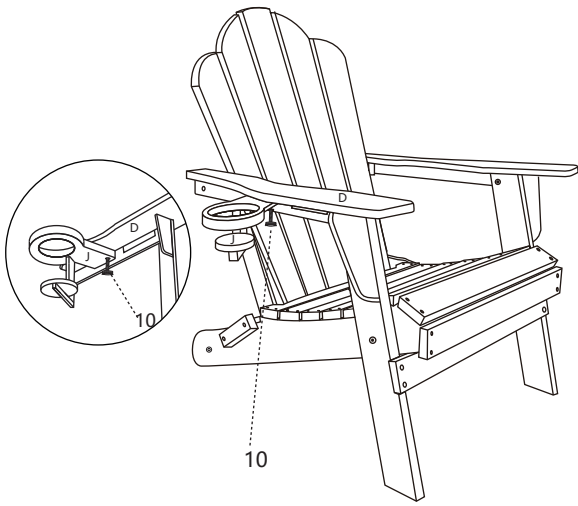
4. Attach part(I) to part (A) by using screw (4) as shown in the diagram. Attach part(I) to part (F) by using screw (3) and nut(8) and gasket(7) as shown in the diagram.



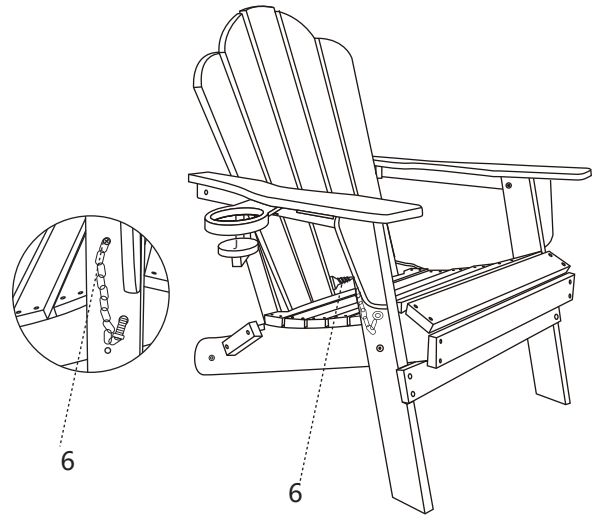
5. Attach part(H) to part (B) and part (C) by using screw (5) as shown in the diagram.



6. Attach part(G) to part (F) by using screws (4) as shown in the diagram.



7. Attach part(J) to part (D) by using screws (10) as shown in the diagram.



8. Use screw (6) to install the pin onto part(B) and part(C) as shown in the diagram.

