

Open Concept

*Thank you for purchasing
this outdoor chair.*

Instruction Manual



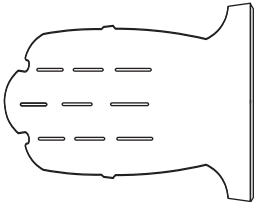

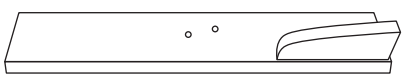



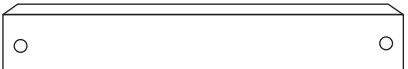
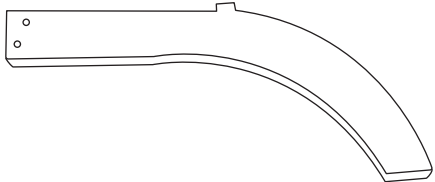
Organise It Where It Suits


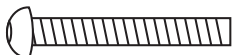



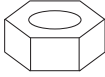


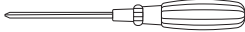


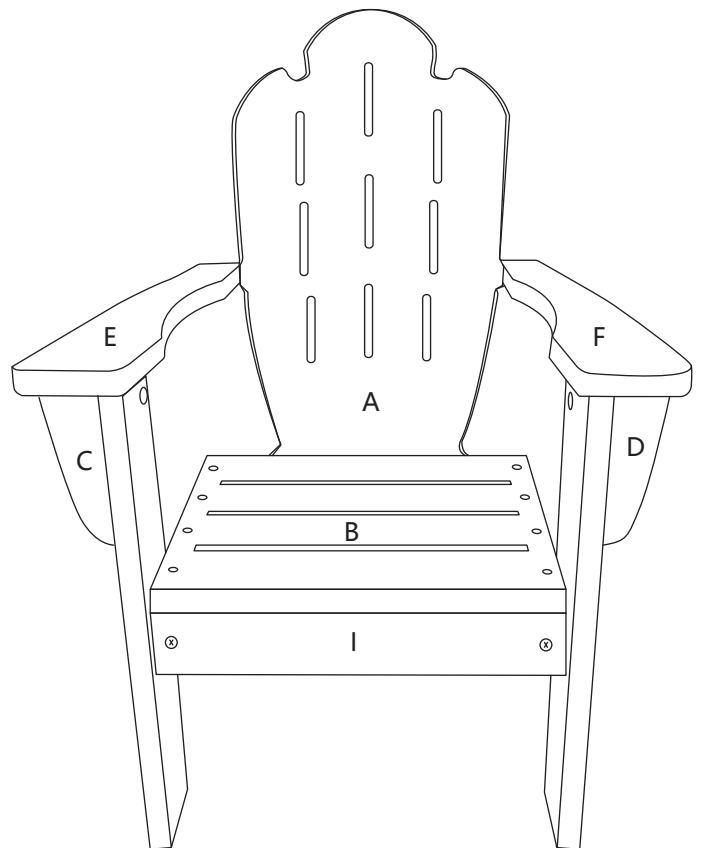
Please follow the manufacturer's
assembly instructions in detail.

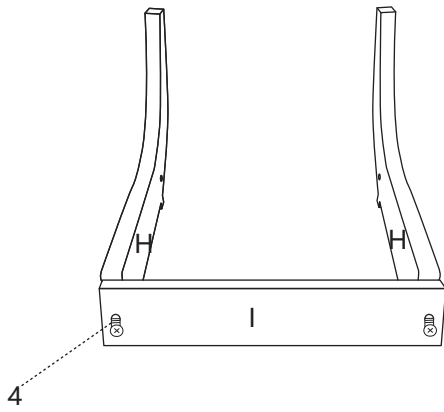


Covering your outdoor setting when not in use is
strongly recommended. This will protect it from the
elements and increase its lifespan.

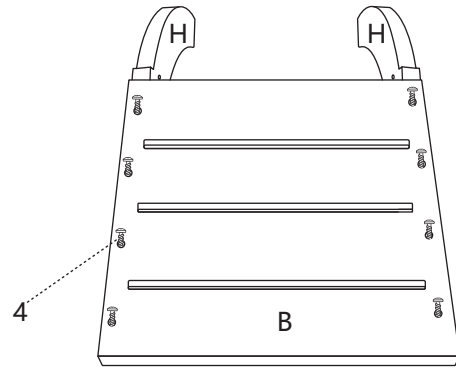
A		1pc	B		1pc
C		1pc	D		1pc
E		1pc	F		1pc
I		1pc	H		2pc

1	 M6-60mm	2PCS
2	 M6-50mm	6PCS
3	 M6-40mm	2PCS
4		10PCS
5		6PCS
6		6PCS
7		1PC
8		1PC
9		1PC

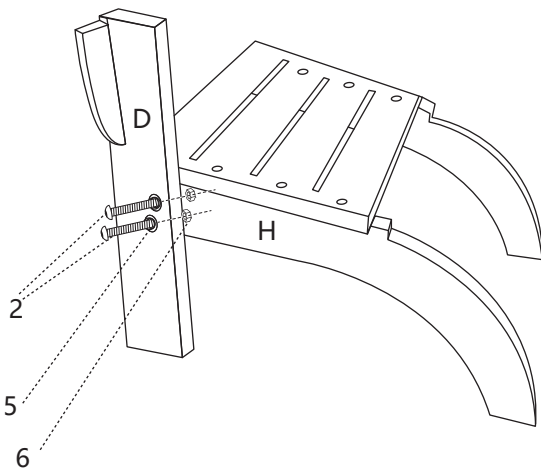




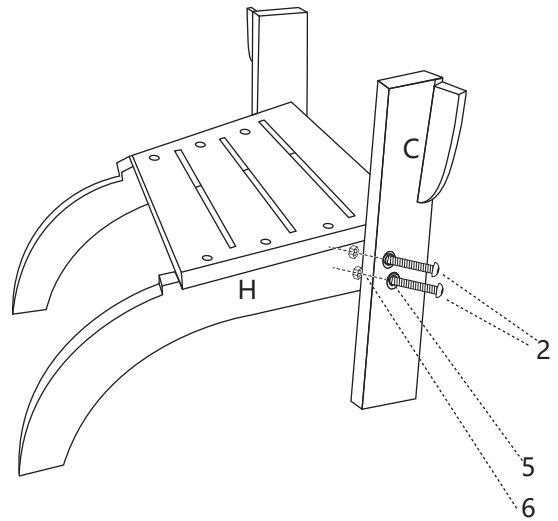
1.As shown in the figure, connect part(I) to part (H) using screw (4) .



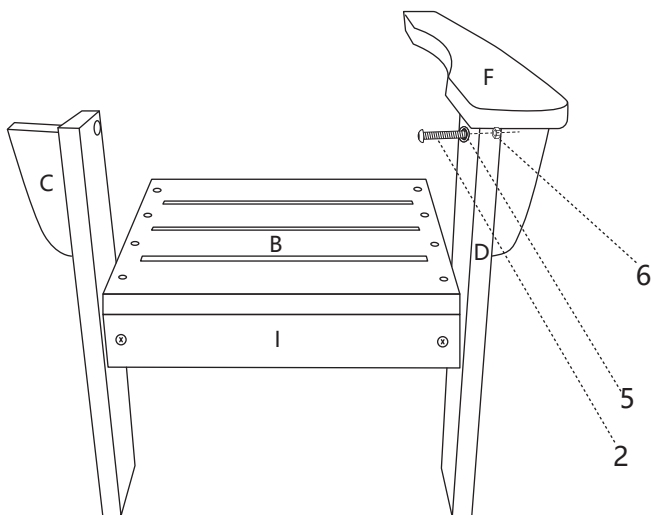
2.As shown in the figure, connect part(B) to part (H) using screw (4) .



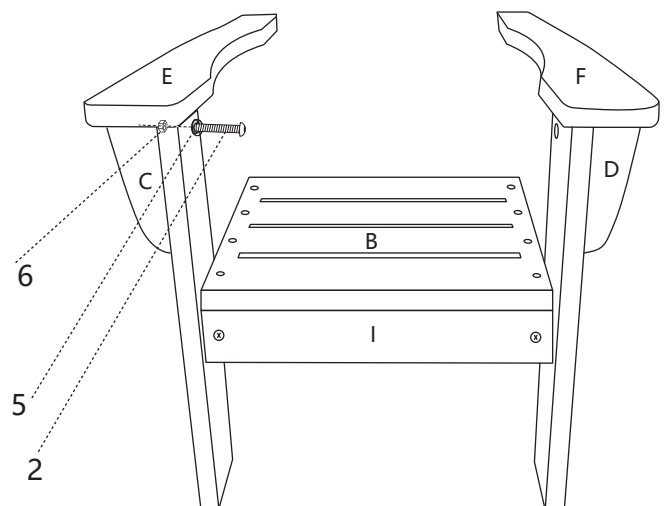
3.Attach part(D) to part (H) by using screws (2) and nut(6) and gasket(5) as shown in the diagram.



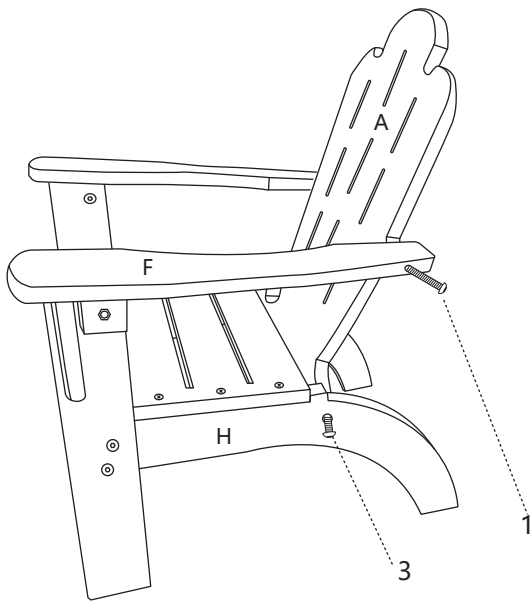
4.Attach part(C) to part (H) by using screws (2) and nut(6) and gasket(5) as shown in the diagram.



5.Attach part(F) to part (D) by using screws (2) and nut(6) and gasket(5) as shown in the diagram.

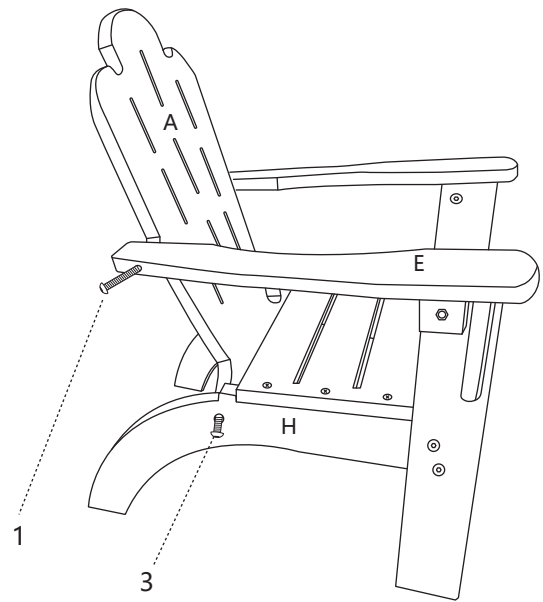


6.Attach part(E) to part (C) by using screws (2) and nut(6) and gasket(5) as shown in the diagram.



7. Attach part(A) to part (F) by using screws (1) as shown in the diagram.

Attach part(A) to part (H) by using screws (3) as shown in the diagram.



8. Attach part(A) to part (E) by using screws (1) as shown in the diagram.

Attach part(A) to part (H) by using screws (3) as shown in the diagram.