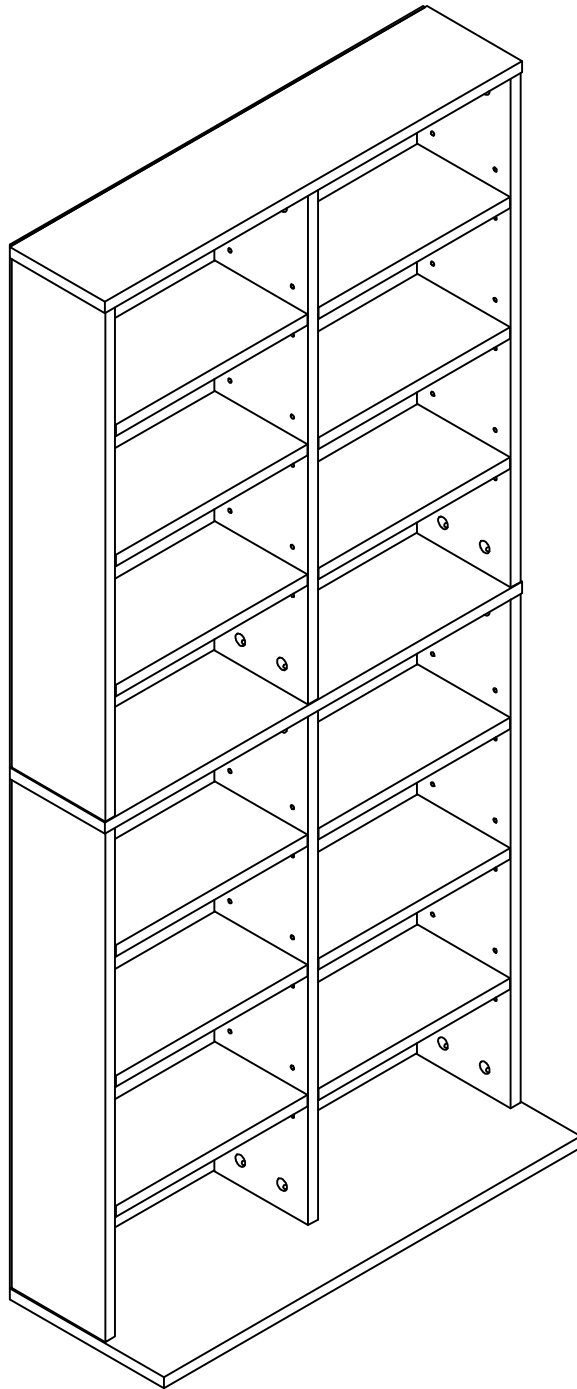


CD RACK

Assembly Instructions - Thank you for your purchase.
Please follow the instructions below for correct assembly.

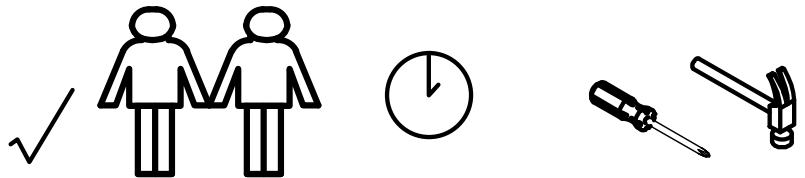
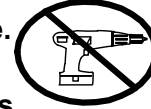


Space General

Safety and Care Advice

IMPORTANT - Please Read This Instruction Carefully Before Assembly.

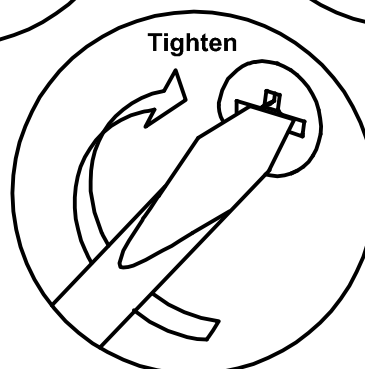
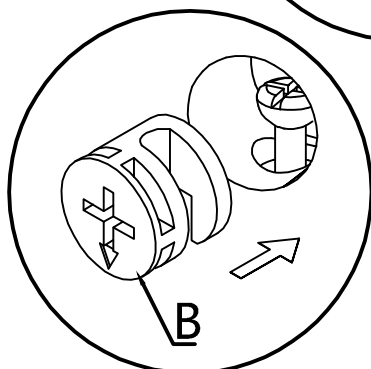
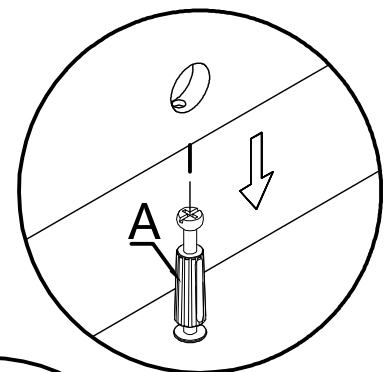
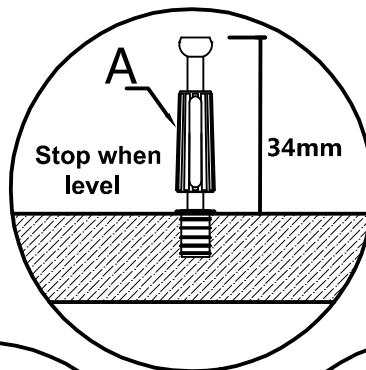
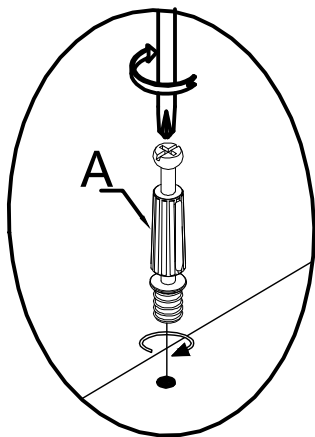
- Check you have all the components and tools listed on page 3.
- Remove all settings from the plastic bags and separate them into their groups.
- Keep children and animals away from the work area, small parts could choke if swallowed.
- Make sure you have enough space to layout the parts before assembly.
- Do not stand or put weight on the product, this could cause damage.
- Assemble the item as close to its intended position (in the same room) as possible.
- Assemble on a soft level surface to avoid damaging the unit.
- Parts of the assembly will be easier with 2 people.
- Do not use power drill/drivers for assembly, or the unit may be damaged.
- Dispose of all packaging carefully and responsibly.



CARE and MAINTENANCE

- Only clean using a damp cloth and mild detergent, do not use bleach or abrasive cleaners.
- From time to time check that there are no loose screws on this unit.
- This product should not be discarded with household waste. Take to your local authority waste disposal center.

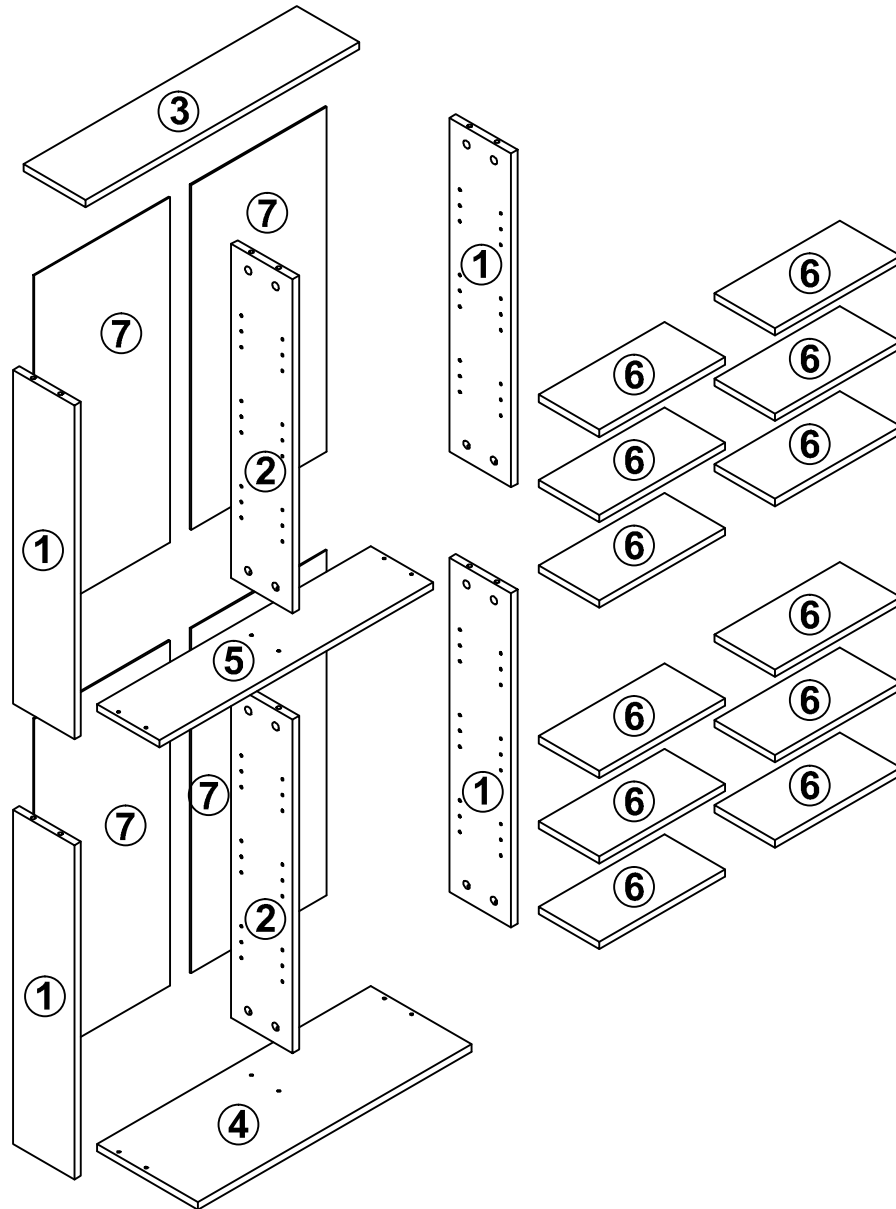
General Hints & Tips

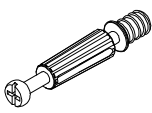
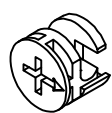
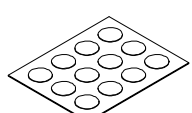
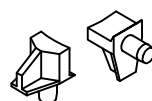

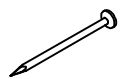
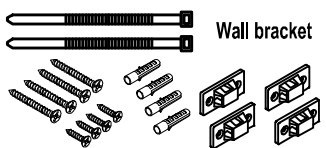


Components and Tools

IMPORTANT - Please Check If You Have All The Components and Tools.

Note: The quantities below are the correct amount to complete the assembly. In some cases more pieces may be supplied than are required.

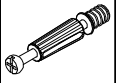


<p>A=24</p>  <p>Peg M6*34mm</p>	<p>B=24</p>  <p>Lock M15*12mm</p>	<p>C=24</p> 	<p>D=48</p> 	<p>F=4</p>  <p>Plastic Feet</p>	<p>G=30</p>  <p>Pin</p>
<p>P=1</p>  <p>Wall bracket</p>					

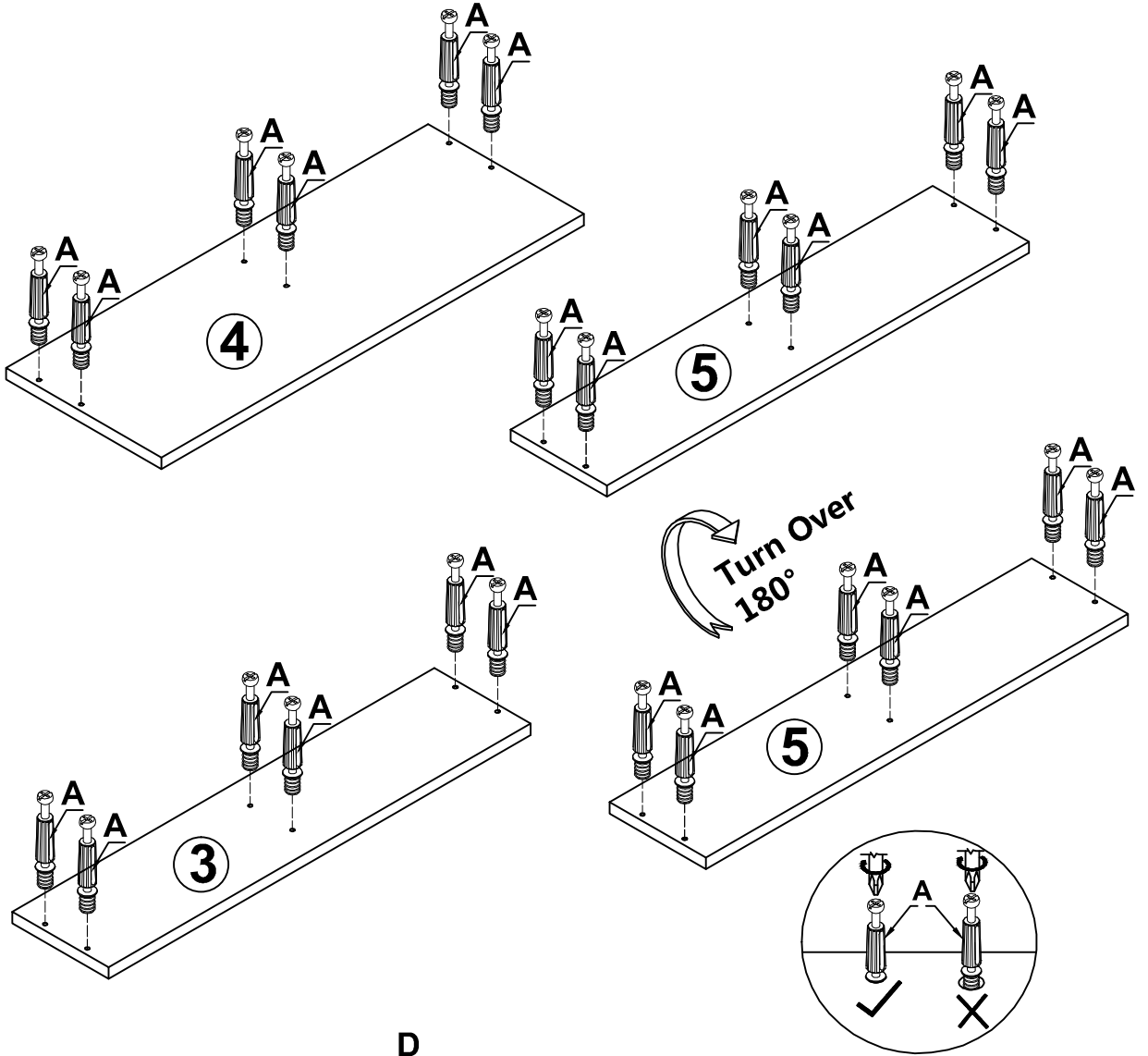
Assembly Instruction

Step 1

A=24

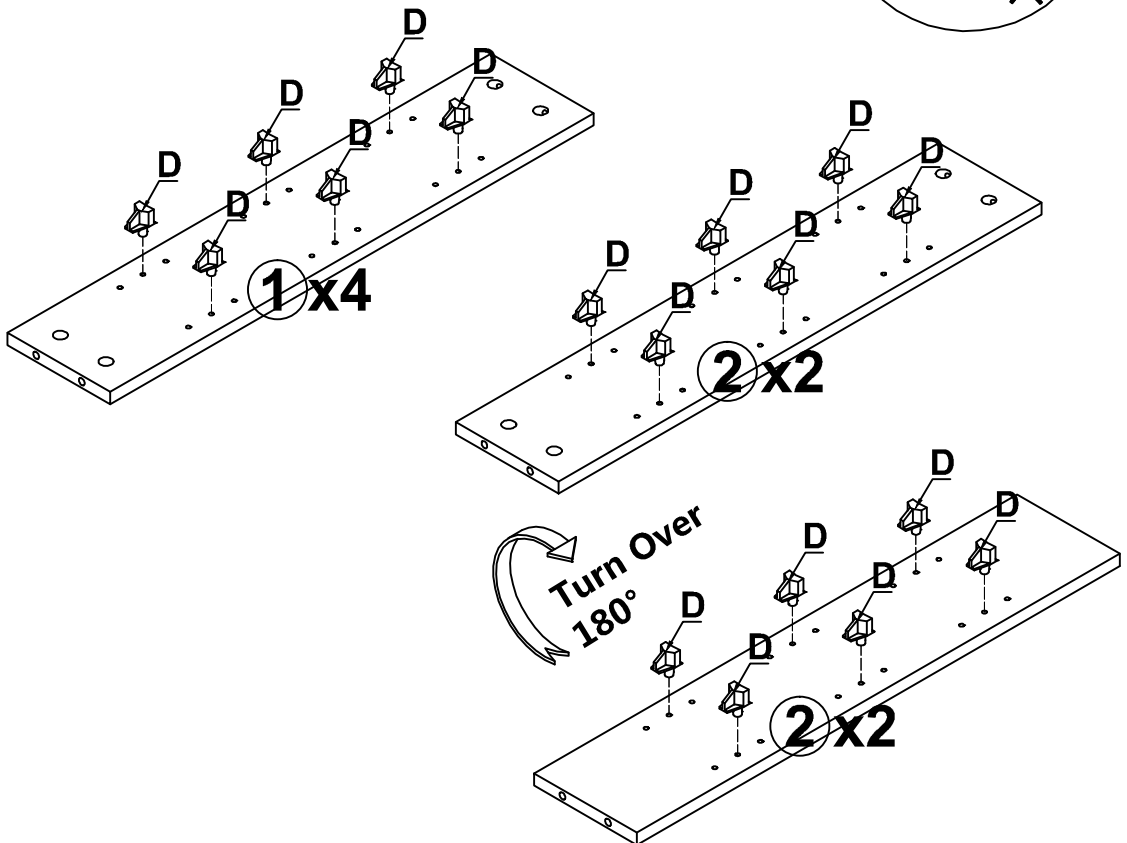
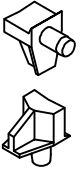


Peg



Step 2

D=48



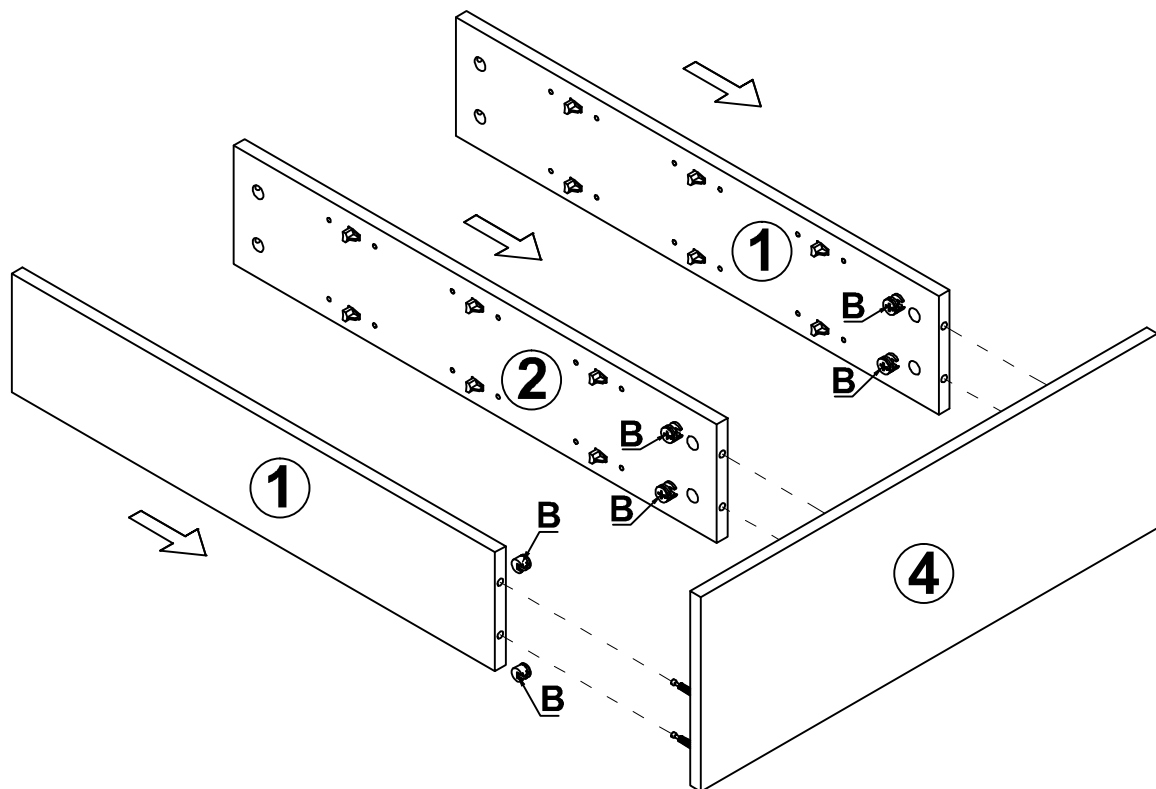
Assembly Instruction

Step 3

B=6



Lock

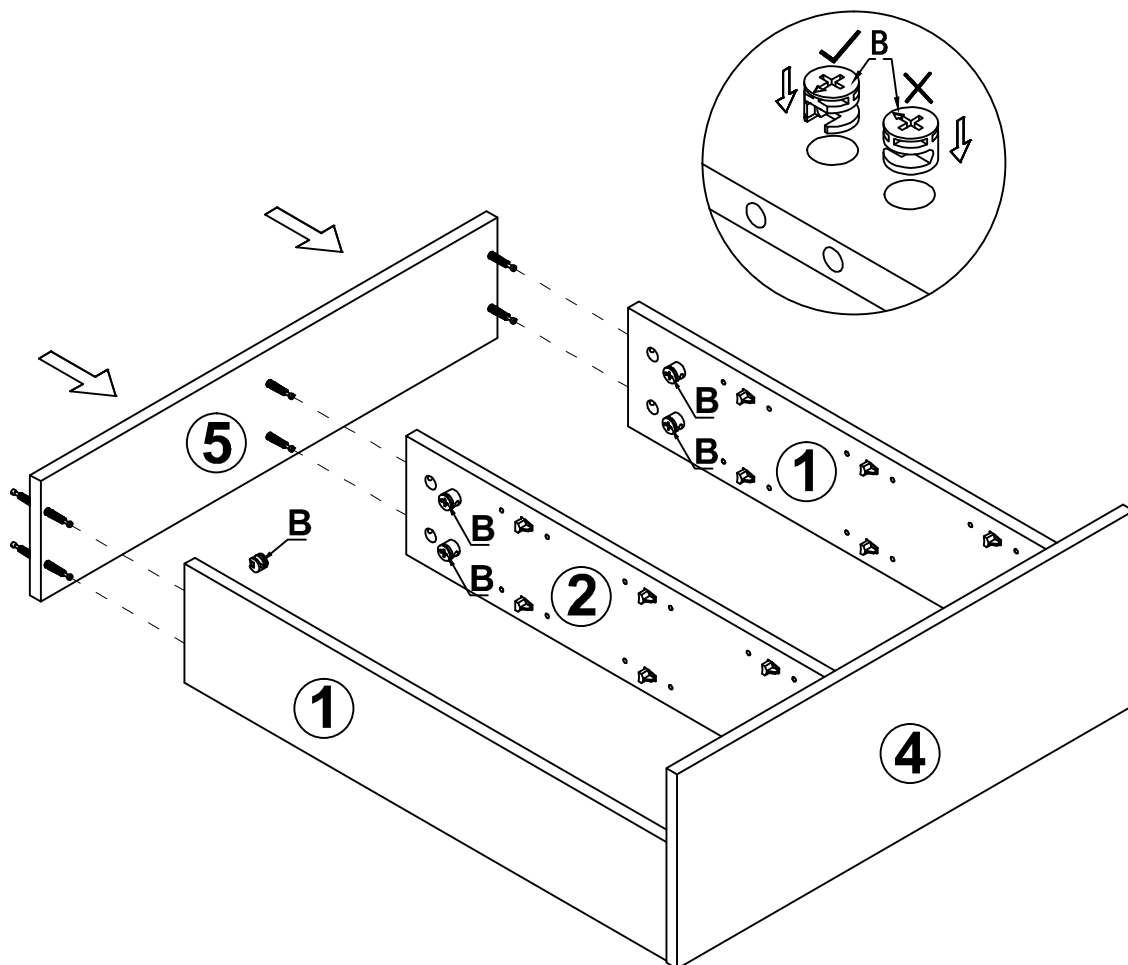


Step 4

B=6



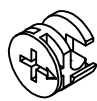
Lock



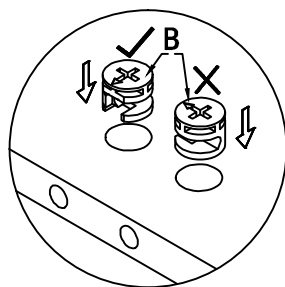
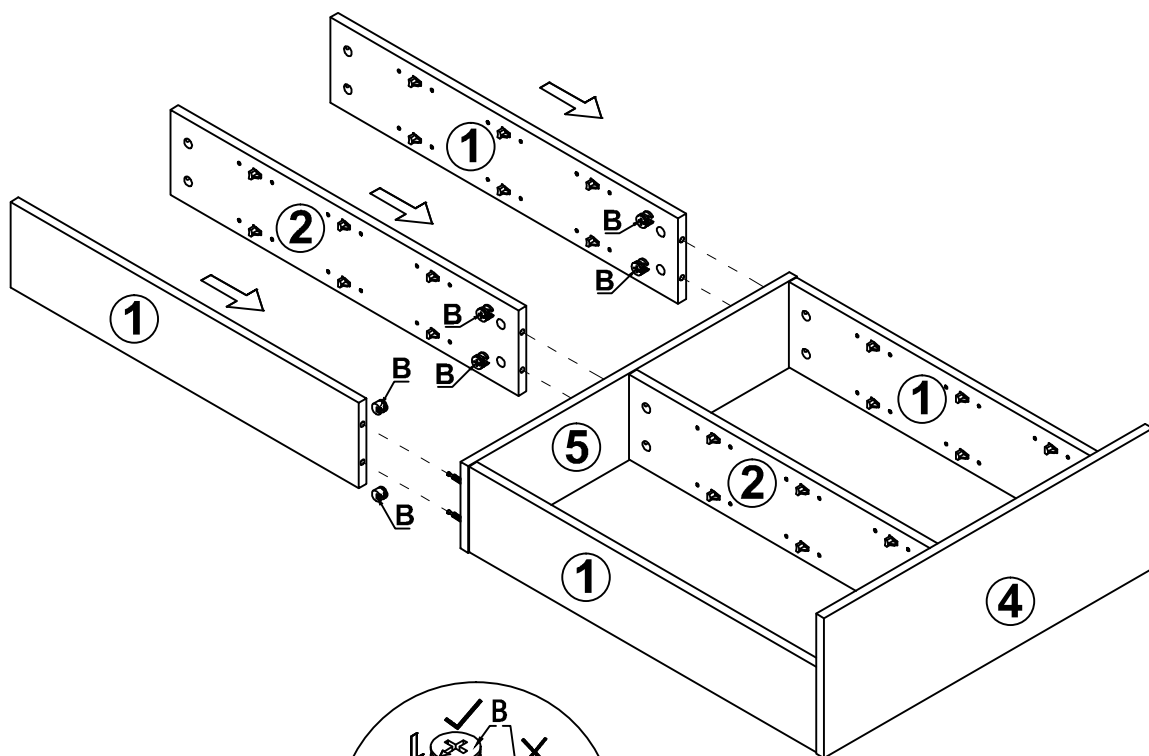
Assembly Instruction

Step 5

B=6

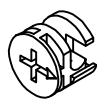


Lock

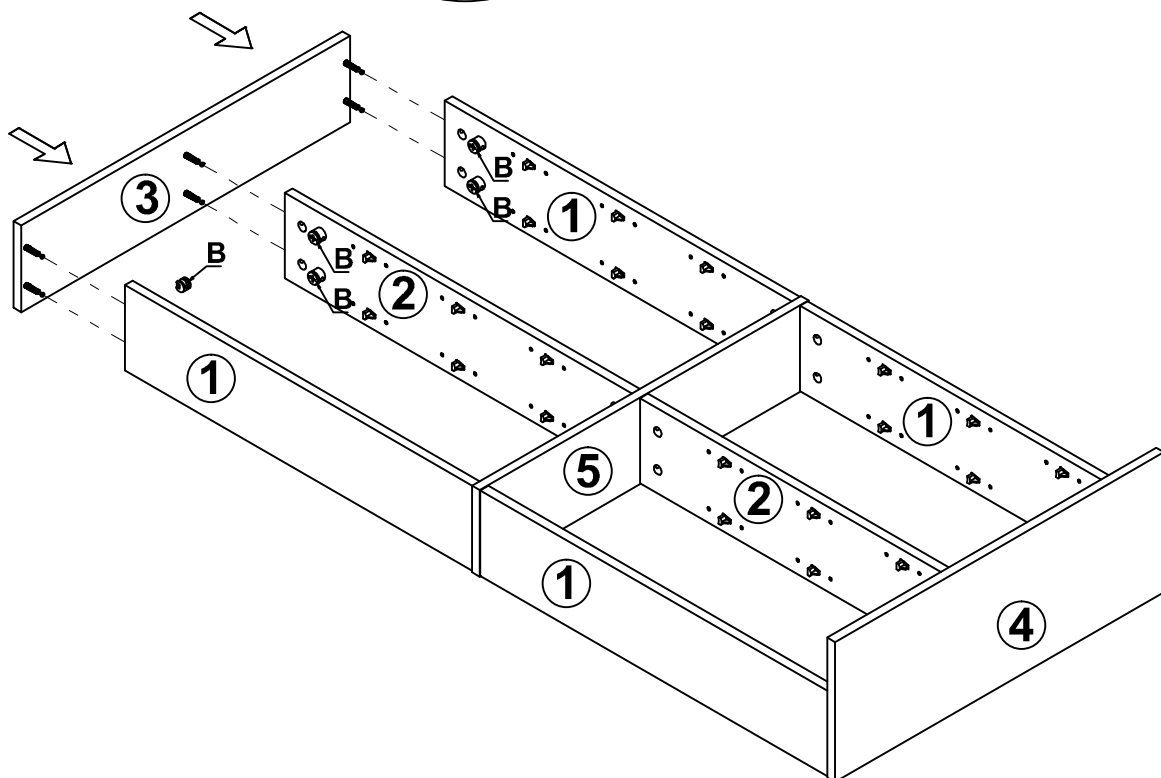


Step 6

B=6



Lock



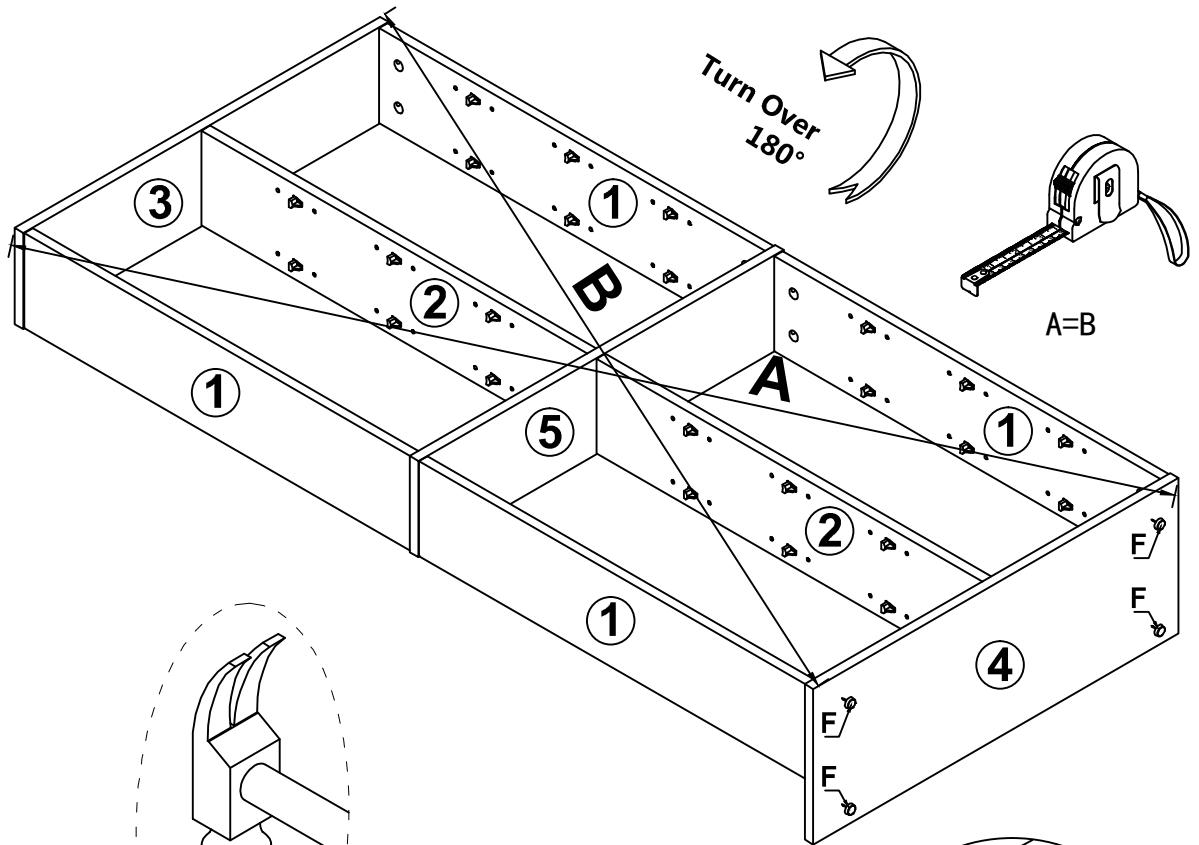
Assembly Instruction

Step 7

F=4



Plastic Feet

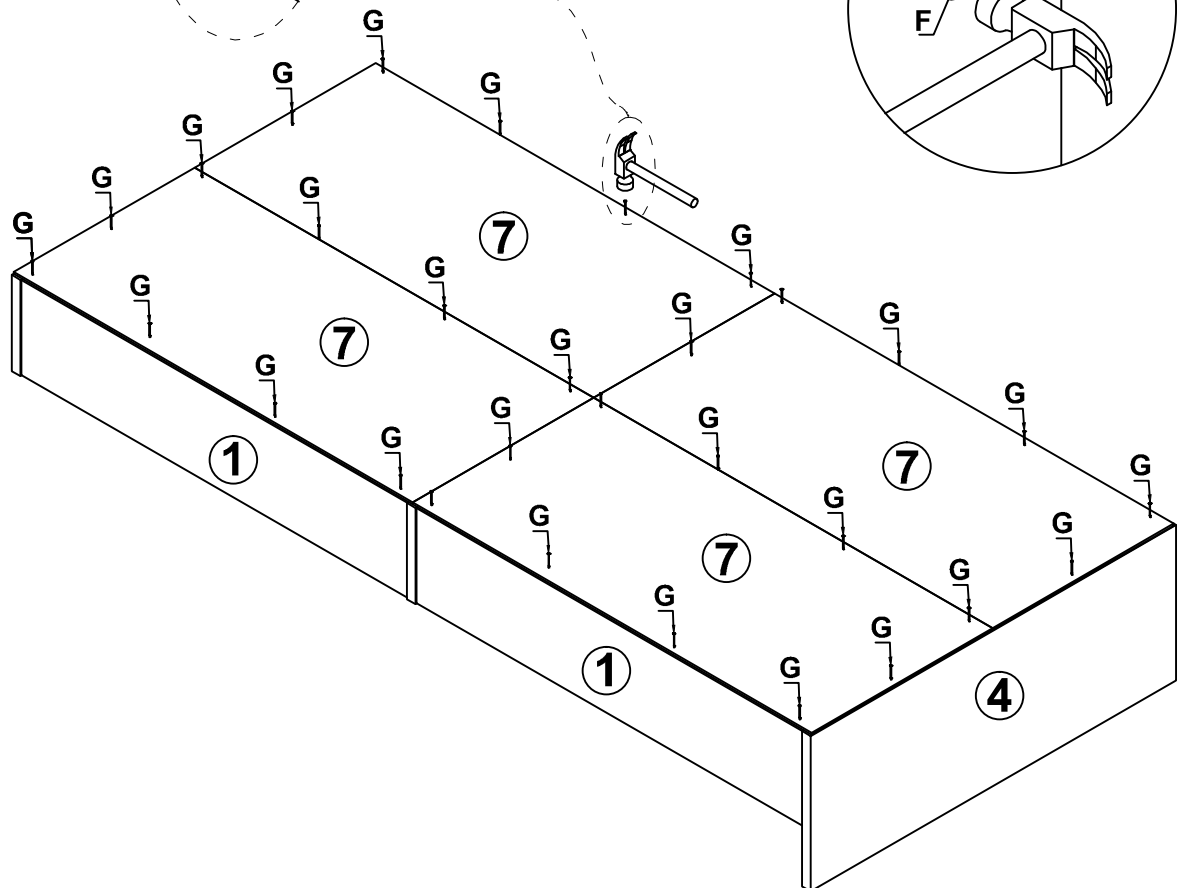


Step 8

G=30

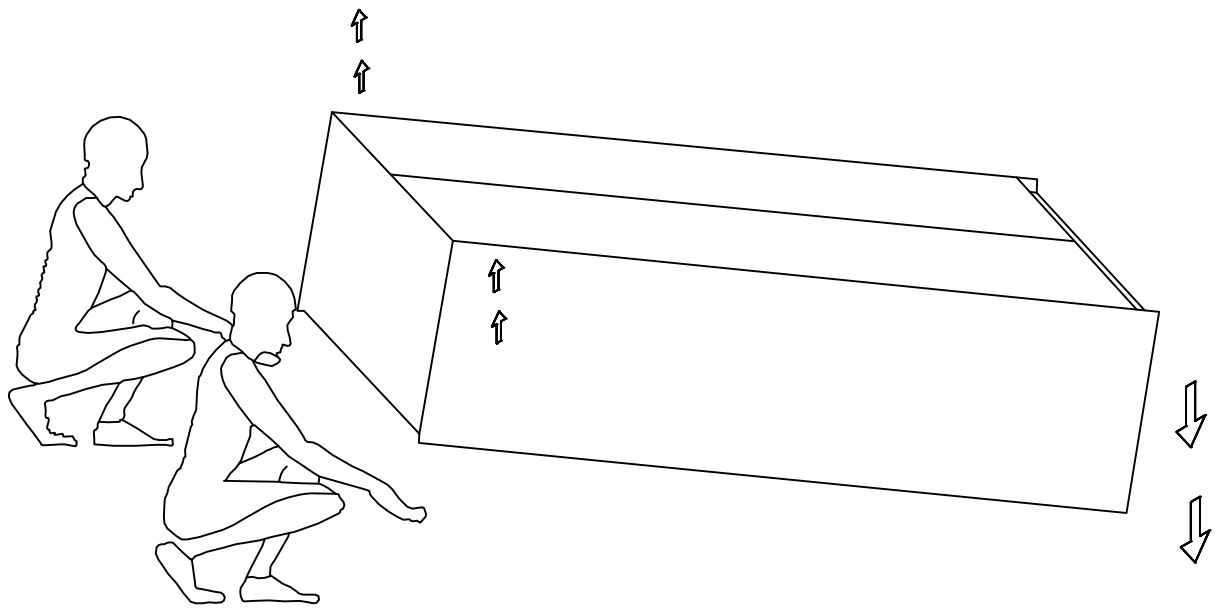


Pin

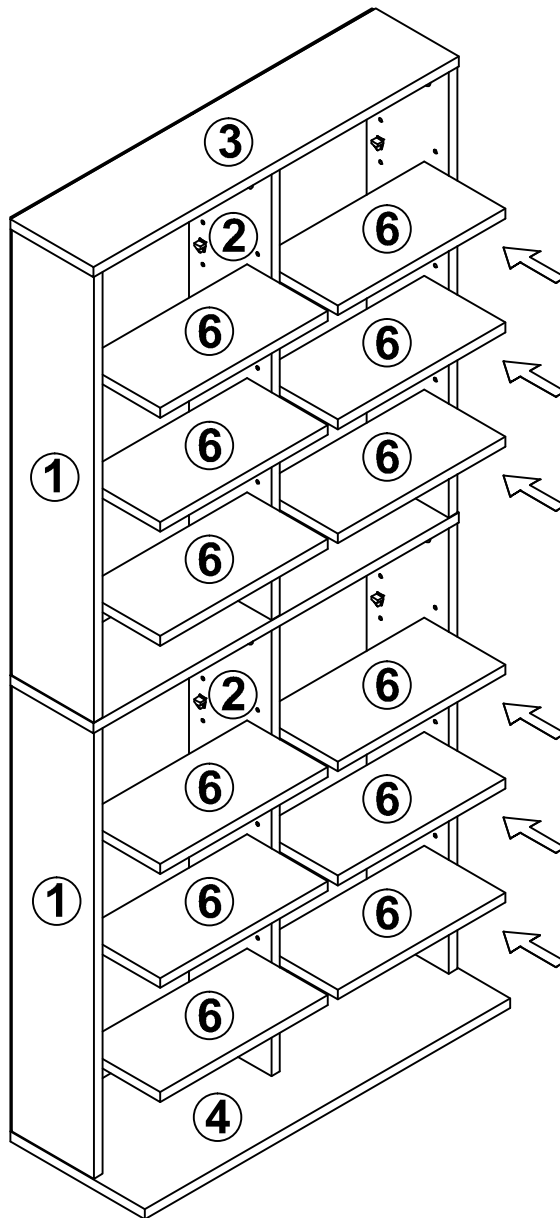


Assembly Instruction

Step 9



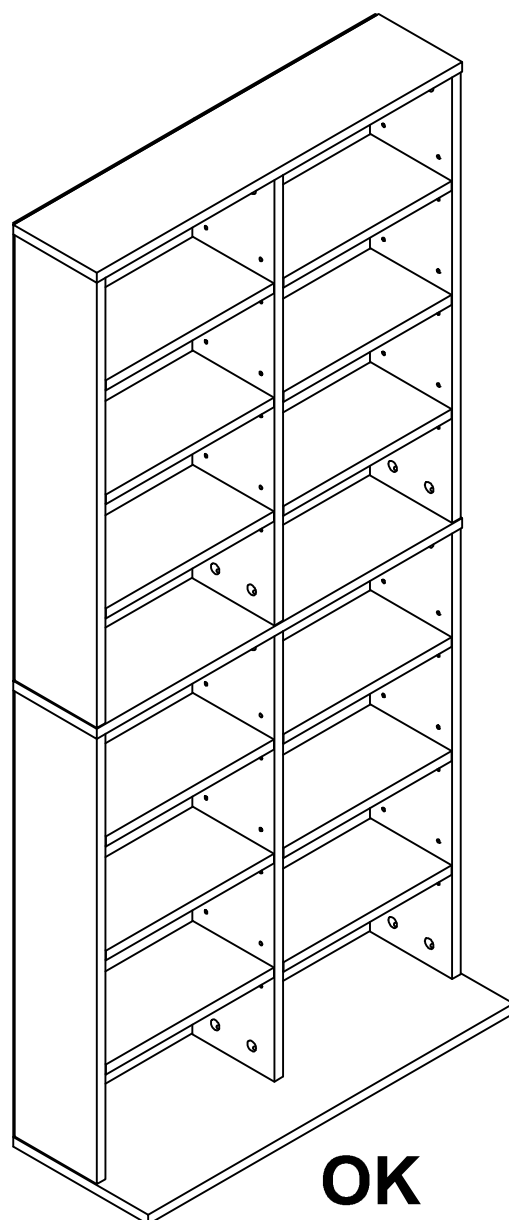
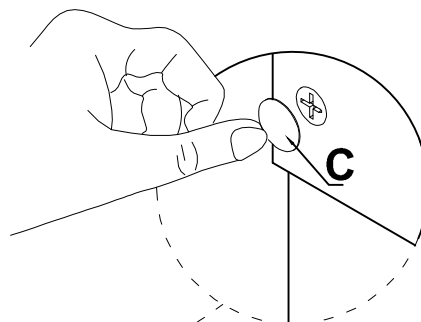
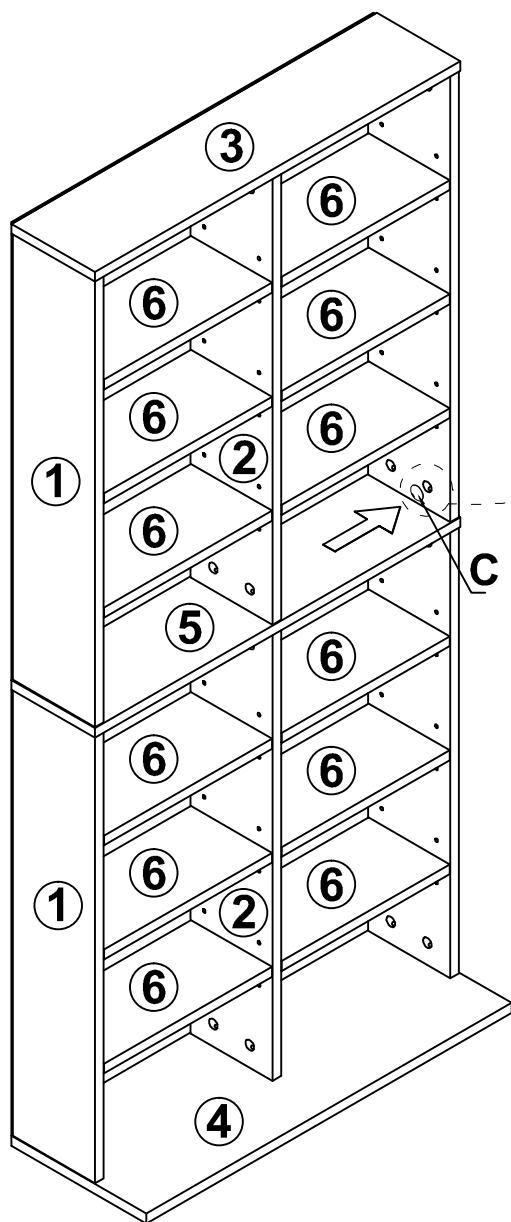
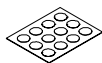
Step 10



Assembly Instruction

Step 11

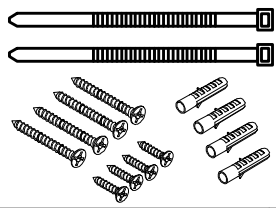
C=24



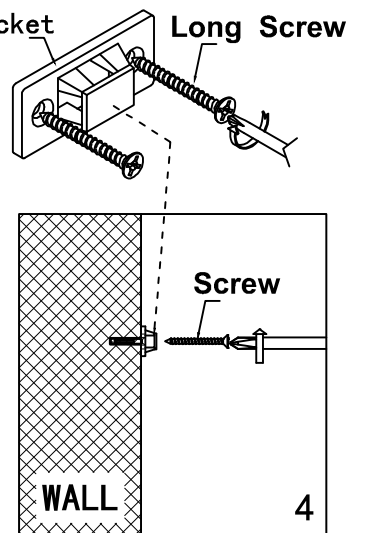
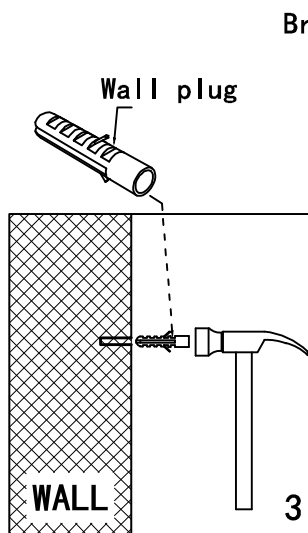
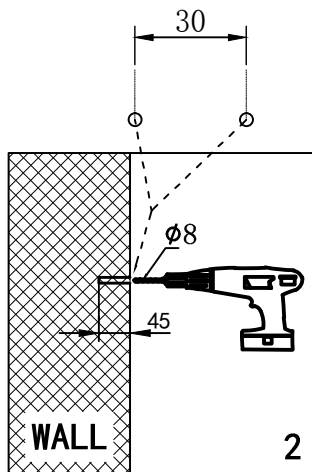
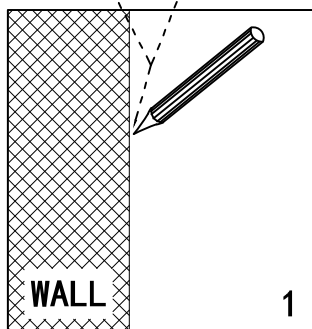
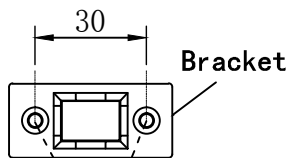
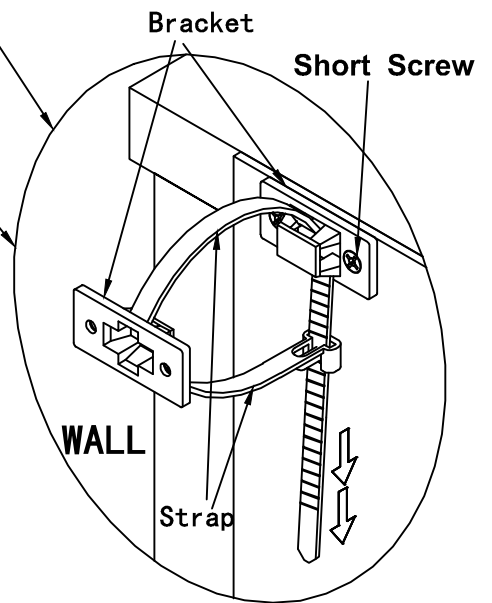
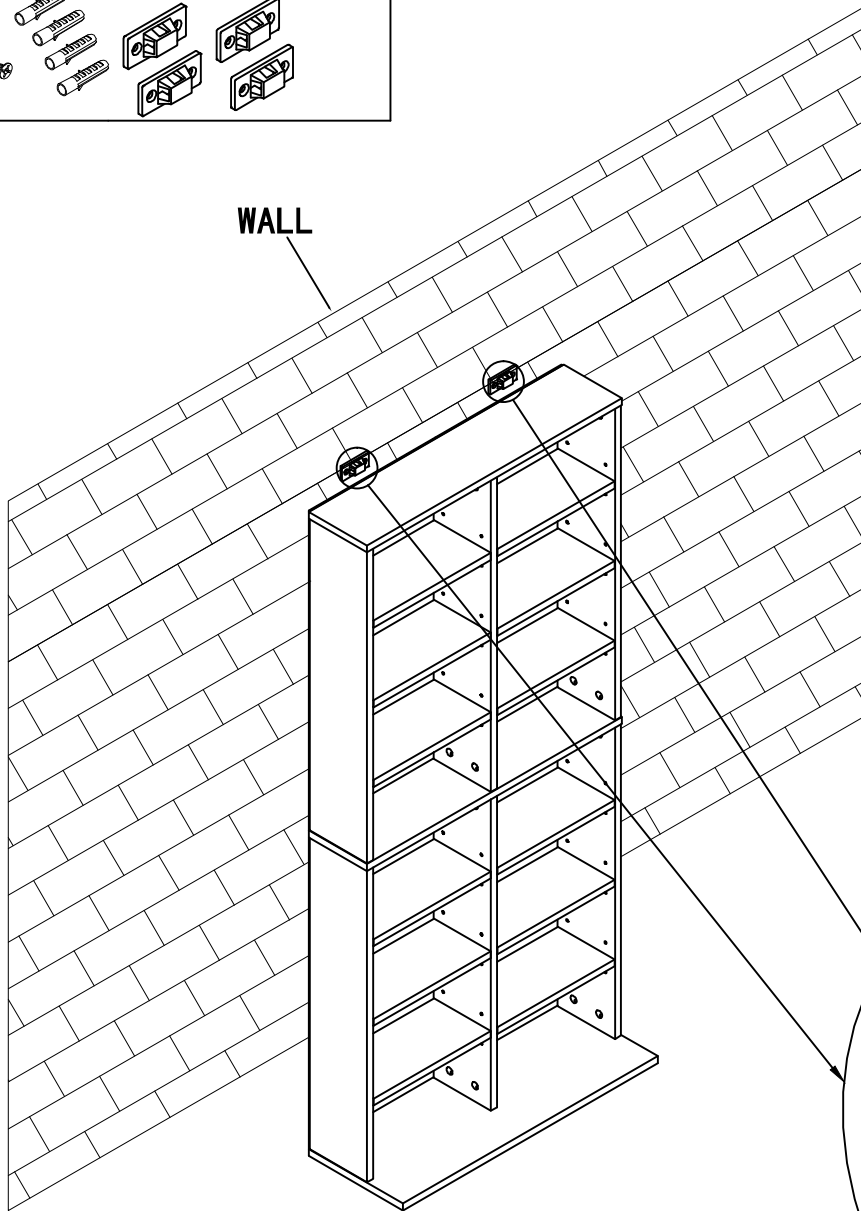
OK

Step 12

P=1



Wall bracket



spacegeneral.co.nz

Great job. You're done!

**Don 't forget to share how it looks in
your space and tag us on Instagram
@spacegeneralnz**